

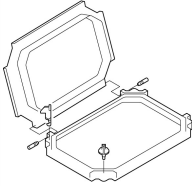


**Door, transparent smoky gray, for cap CI23**

**Part no. T-CI23**  
**Catalog No. 093833**

**EL-Nummer 2502346**  
**(Norway)**

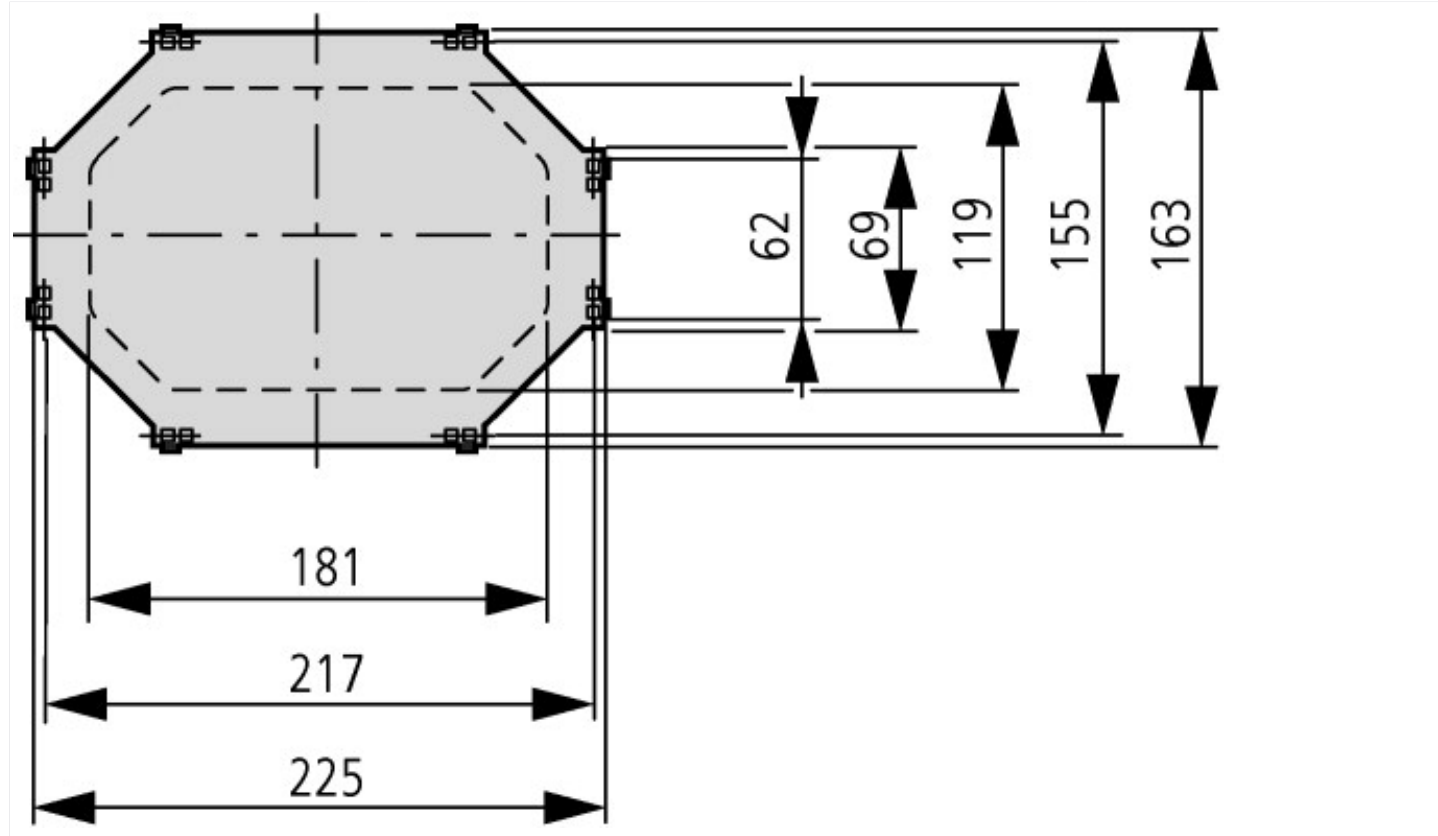
**Delivery program**

			
Product range			xEnergy Safety Ci
Basic function			Basic enclosures
Product function			Accessories for basic enclosures
Accessories			Doors
Single unit/Complete unit			Modular system
Description			For increasing the mounting depth by 13.5 mm and the exterior height by 16 mm Opening angle 180° Door hinges can be subsequently changed to left, right, top or bottom.
Protection type			IP65
Type Door			Transparent, smoky gray
Information about equipment supplied			Adhesive film for marking the cutout Delivery with fixing screws
For use with			CI23..., D...-CI23

**Technical data ETIM 7.0**

Cabinet enclosures (EG000011) / Door/operating panel (switchgear cabinet) (EC000747)			
Electric engineering, automation, process control engineering / Electrical cabinet, housing, rack / Door (electrical cabinet) / Door/operating panel (enclosure) (ecl@ss10.0.1-27-18-22-04 [ACN614011])			
Model			Protective door
Version as glazed door			Yes
Version as door for disconnecting switch interlocking			No
Width		mm	225
Height		mm	162.5
Depth		mm	45
EMC-version			No
Material			Plastic
Surface finishing			Untreated
Colour			Other
Degree of protection (IP)			IP65
Degree of protection (NEMA)			Other

## Dimensions



## Additional product information (links)

allowInterrupt=1&RevisionSelectionMethod=LatestReleased&noSaveAs=0&Renderit	<a href="http://www.eaton.eu/DE/ecm/idcplg?IdcService=GET_FILE&amp;model%20certification%20xEnergy%20Safety%20Ci">http://www.eaton.eu/DE/ecm/idcplg?IdcService=GET_FILE&amp;model certification xEnergy Safety Ci</a>
allowInterrupt=1&RevisionSelectionMethod=LatestReleased&noSaveAs=0&Renderit	<a href="http://www.eaton.eu/DE/ecm/idcplg?IdcService=GET_FILE&amp;Save%20time%20-%20we%20assist%20you%20with%20expert%20pre-assembly">http://www.eaton.eu/DE/ecm/idcplg?IdcService=GET_FILE&amp;Save time – we assist you with expert pre-assembly</a>
allowInterrupt=1&RevisionSelectionMethod=LatestReleased&noSaveAs=0&Renderit	<a href="http://www.eaton.eu/DE/ecm/idcplg?IdcService=GET_FILE&amp;product%20information%20xEnergy%20Safety%20Ci">http://www.eaton.eu/DE/ecm/idcplg?IdcService=GET_FILE&amp;product information xEnergy Safety Ci</a>
tool for calculating the power loss for switching device combinations	<a href="http://www.eaton.eu/DE/Europe/Electrical/CustomerSupport/ConfigurationTools/TCTool/index.htm">http://www.eaton.eu/DE/Europe/Electrical/CustomerSupport/ConfigurationTools/TCTool/index.htm</a>
configurator - xEnergy family	<a href="http://www.eaton.eu/DE/Europe/Electrical/CustomerSupport/ConfigurationTools/xEnergyMainSupport/index.htm">http://www.eaton.eu/DE/Europe/Electrical/CustomerSupport/ConfigurationTools/xEnergyMainSupport/index.htm</a>