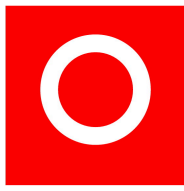




**Pushbutton, red 0, momentary**

**Part no. Q18D-10**  
**Catalog No. 086299**  
**Alternate Catalog No. Q18D-10**  
**EL-Nummer 4356272**  
**(Norway)**

### Delivery program

|                            |   |    |  |
|----------------------------|---|----|--|
| Product range              |   |    | RMQ16  |
| Basic function             |   |    | Pushbutton actuators   |
| Mounting hole diameter     | ∅ | mm | 16   |
| Single unit/Complete unit  |   |    | Single unit  |
| Design                     |   |    | Flat   |
|                            |   |    | momentary  |
| <b>Button plate</b>        |   |    |  |
| button plate               |   |    | red  |
| Button plate               |   |    |  |
|                            |   |    | inscribed  |
| Degree of Protection       |   |    | IP65   |
| Front ring                 |   |    | without bezel  |
| Connection to SmartWire-DT |   |    | no   |

### Technical data

#### General

|                                    |              |                   |  |
|------------------------------------|--------------|-------------------|--|
| Standards                          |              |                   | IEC/EN 60947, VDE 0660   |
| Lifespan, mechanical               | Operations   | x 10 <sup>6</sup> | > 3  |
| Operating frequency                | Operations/h |                   | ≤ 3600   |
| Actuating force                    |              | n                 | ≤ 4  |
| Degree of protection, IEC/EN 60529 |              |                   | IP65   |
| Climatic proofing                  |              |                   | Damp heat, constant, to IEC 60068-2-78<br>Damp heat, cyclic, to IEC 60068-2-30 |
| Ambient temperature                |              |                   |  |
| Open                               |              | °C                | -25 - +60  |
| Enclosed                           |              | °C                | - 25 - 40  |
| Mounting position                  |              |                   | As required  |
| Mechanical shock resistance        |              | g                 | > 40<br>according to IEC 60068-2-27<br>Shock duration 11 ms<br>Sinusoidal      |

### Design verification as per IEC/EN 61439

|  |                   |    |     |
|--|-------------------|----|-----|
| Technical data for design verification                   |                   |    |     |
| Rated operational current for specified heat dissipation | I <sub>n</sub>    | A  | 0   |
| Heat dissipation per pole, current-dependent             | P <sub>vid</sub>  | W  | 0   |
| Equipment heat dissipation, current-dependent            | P <sub>vid</sub>  | W  | 0   |
| Static heat dissipation, non-current-dependent           | P <sub>vs</sub>   | W  | 0   |
| Heat dissipation capacity                                | P <sub>diss</sub> | W  | 0   |
| Operating ambient temperature min.                       |                   | °C | -25 |
| Operating ambient temperature max.                       |                   | °C | 60  |
| IEC/EN 61439 design verification                         |                   |    |     |

|  |  |  |  |
|--|--|--|--|
| 10.2 Strength of materials and parts   |  |  |  |
| 10.2.2 Corrosion resistance  |  |  | Meets the product standard's requirements.   |
| 10.2.3.1 Verification of thermal stability of enclosures   |  |  | Meets the product standard's requirements.   |
| 10.2.3.2 Verification of resistance of insulating materials to normal heat   |  |  | Meets the product standard's requirements.   |
| 10.2.3.3 Verification of resistance of insulating materials to abnormal heat and fire due to internal electric effects |  |  | Meets the product standard's requirements.   |
| 10.2.4 Resistance to ultra-violet (UV) radiation   |  |  | Please enquire   |
| 10.2.5 Lifting   |  |  | Does not apply, since the entire switchgear needs to be evaluated.                                       |
| 10.2.6 Mechanical impact   |  |  | Does not apply, since the entire switchgear needs to be evaluated.                                       |
| 10.2.7 Inscriptions  |  |  | Meets the product standard's requirements.   |
| 10.3 Degree of protection of ASSEMBLIES  |  |  | Does not apply, since the entire switchgear needs to be evaluated.                                       |
| 10.4 Clearances and creepage distances   |  |  | Meets the product standard's requirements.   |
| 10.5 Protection against electric shock   |  |  | Does not apply, since the entire switchgear needs to be evaluated.                                       |
| 10.6 Incorporation of switching devices and components   |  |  | Does not apply, since the entire switchgear needs to be evaluated.                                       |
| 10.7 Internal electrical circuits and connections  |  |  | Is the panel builder's responsibility.   |
| 10.8 Connections for external conductors   |  |  | Is the panel builder's responsibility.   |
| 10.9 Insulation properties   |  |  |  |
| 10.9.2 Power-frequency electric strength   |  |  | Is the panel builder's responsibility.   |
| 10.9.3 Impulse withstand voltage   |  |  | Is the panel builder's responsibility.   |
| 10.9.4 Testing of enclosures made of insulating material   |  |  | Is the panel builder's responsibility.   |
| 10.10 Temperature rise   |  |  | Not applicable.  |
| 10.11 Short-circuit rating   |  |  | Is the panel builder's responsibility. The specifications for the switchgear must be observed.           |
| 10.12 Electromagnetic compatibility  |  |  | Is the panel builder's responsibility. The specifications for the switchgear must be observed.           |
| 10.13 Mechanical function  |  |  | The device meets the requirements, provided the information in the instruction leaflet (IL) is observed. |

## Technical data ETIM 7.0

Low-voltage industrial components (EG000017) / Front element for push button (EC000221)

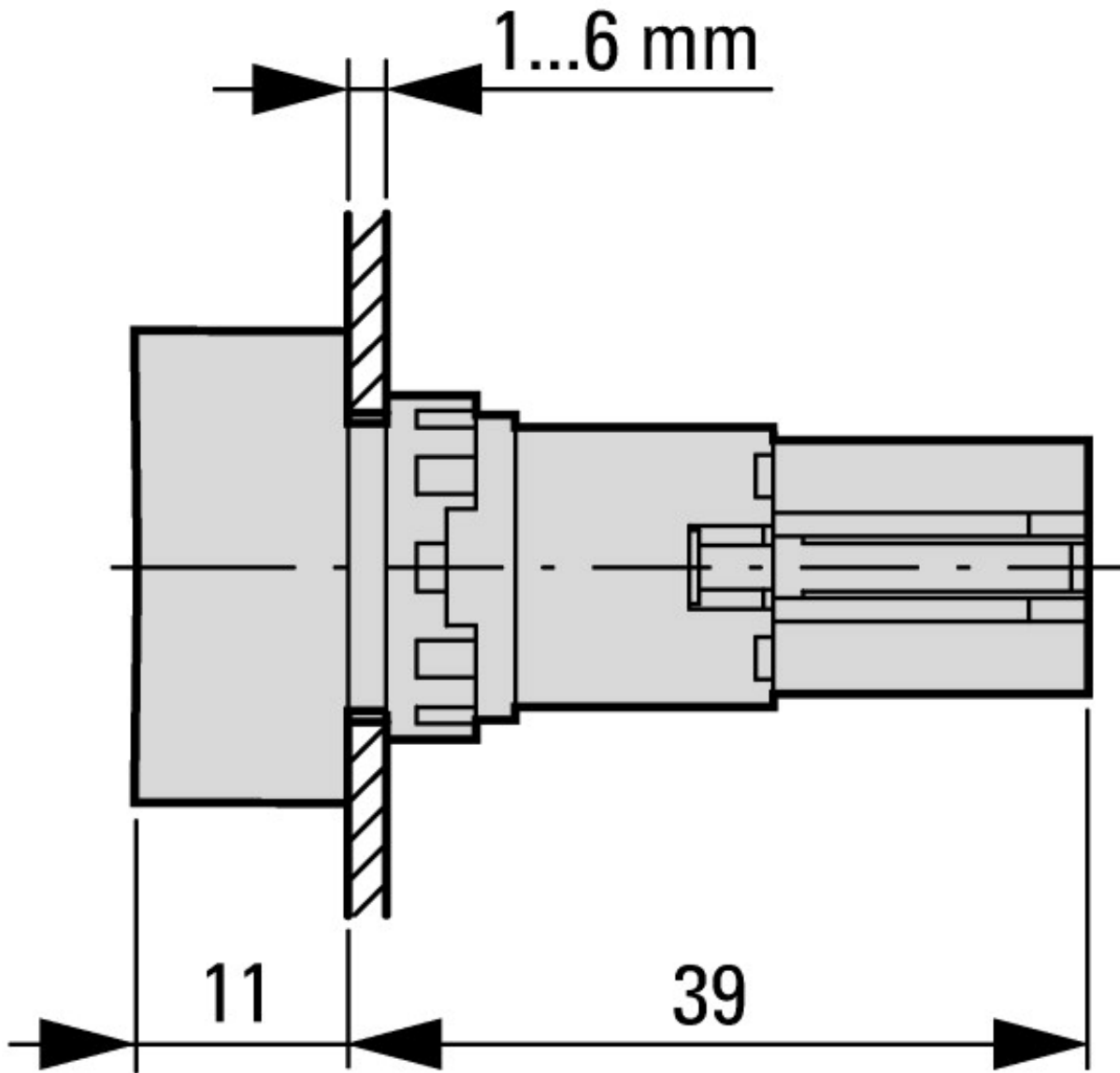
Electric engineering, automation, process control engineering / Low-voltage switch technology / Command and alarm device / Front element for push-button actuators  
(ec1@ss10.0.1-27-37-12-10 [AKF028014])

|   |  |    |         |
|---|--|----|---------|
| Colour button                           |  |    | Red     |
| Number of command positions             |  |    | 1       |
| Construction type lens                  |  |    | Square  |
| Hole diameter                           |  | mm | 16      |
| Width opening                           |  | mm | 0       |
| Height opening                          |  | mm | 0       |
| Type of button                          |  |    | Flat    |
| Suitable for illumination               |  |    | No      |
| With protective cover                   |  |    | No      |
| Labelled                                |  |    | Yes     |
| Switching function latching             |  |    | No      |
| Spring-return                           |  |    | Yes     |
| With front ring                         |  |    | Yes     |
| Material front ring                     |  |    | Plastic |
| Colour front ring                       |  |    | Black   |
| Degree of protection (IP), front side   |  |    | IP65    |
| Degree of protection (NEMA), front side |  |    | 1       |

## Approvals

|                             |  |  |   |
|-----------------------------|--|--|---|
| Product Standards           |  |  | IEC/EN 60947-5; UL 508; CSA-C22.2 No. 14-05; CE marking |
| UL File No.                 |  |  | E29184  |
| UL Category Control No.     |  |  | NKCR  |
| CSA File No.                |  |  | 46552   |
| CSA Class No.               |  |  | 3211-03   |
| North America Certification |  |  | UL listed, CSA certified                                |

Dimensions



Actuating and indicator elements  
Square style