



Connection 3p vertikal

Part no. IZMX-TV403-4000-1
Catalog No. 183978
Alternate Catalog No. 65A3137G12

Delivery program

Product range			Accessories
Accessories			Main terminal kits
Accessories			Vertical connections
			This connector kit includes L-shaped adapters for all main terminals. This connector kit is only intended for the 4,000 A vertical terminal.
Rated current	I_n	A	4000
Pole			3
For use with			IZMX40...3...40F IZMX40...3...40W INX40...3...40F INX40...3...40W
Information about equipment supplied			Main terminals are not supplied as standard with the basic devices and cassettes. Each set includes the connections for top and bottom. 3-pole= 6 connections; 4-pole= 8 connections, including accessories for mounting on the flanged circuit-breaker connection.

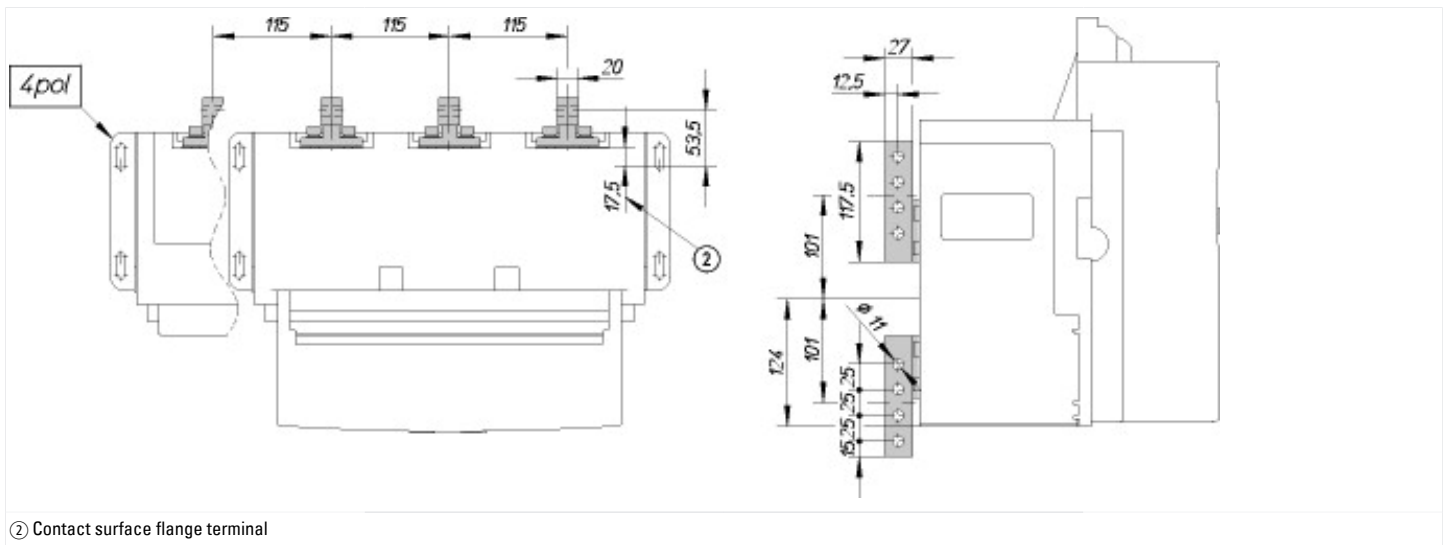
Design verification as per IEC/EN 61439

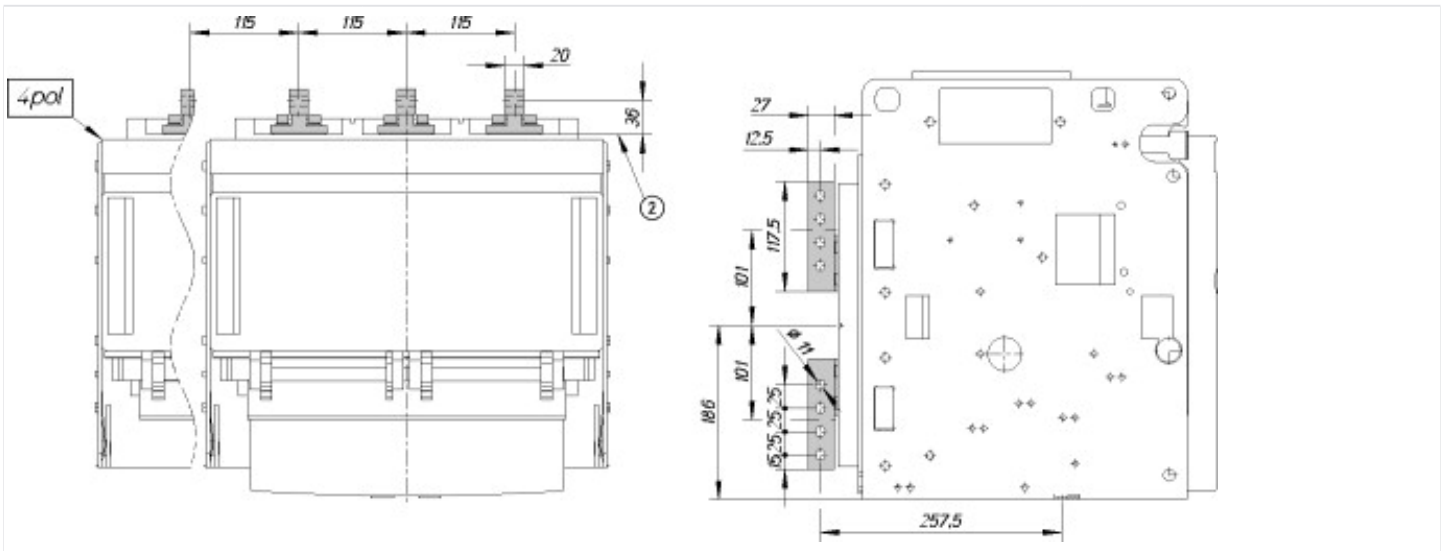
Technical data for design verification			
Operating ambient temperature min.		°C	-25
Operating ambient temperature max.		°C	70

Technical data ETIM 7.0

Low-voltage industrial components (EG000017) / Connection vane/phase spreader (EC002019)	
Electric engineering, automation, process control engineering / Low-voltage switch technology / Component for low-voltage switching technology / Connection vane/phase spreader (ec1@ss10.0.1-27-37-13-05 [ACN990012])	
Suitable for number of poles	3

Dimensions





② Contact surface flange terminal