




Emergency stop/emergency switching off pushbutton, RMQ-Titan, Mushroom-shaped, 38 mm, Non-illuminated, Pull-to-release function, Red (RAL 3000), yellow

Part no. M22-PV-ESS
Catalog No. 178983

Delivery program

| | | | |
|----------------------------|---|----|---|
| Product range | | | RMQ-Titan |
| Basic function | | | Controlled stop pushbuttons/emergency-stop buttons |
| Mounting hole diameter | ∅ | mm | 22.5 |
| Single unit/Complete unit | | | Single unit |
| Design | | | Mushroom-shaped |
| Diameter | ∅ | mm | 38 |
| Illumination | | | Non-illuminated |
| | | | Pull-to-release function |
| Description | | | Tamper-proof according to ISO 13850/EN 418 |
| Colour | | | |
| Mushroom head | | | Red |
| | | |  |
| Base | | | yellow |
| RAL Value | | | RAL 3000 |
| Degree of Protection | | | IP66, IP69 |
| Connection to SmartWire-DT | | | no |
| Instructions | | | Max. number of contacts: four M22-(C)K01, ...10 or two M22-(C)K02, ...20, ...11 |

Technical data

| | | | |
|-----------------------------|--------------|-------------------|--|
| General | | | |
| Standards | | | IEC/EN 60947 VDE 0660 |
| Lifespan, mechanical | Operations | x 10 ⁶ | > 0.1 |
| Operating frequency | Operations/h | | ≤ 600 |
| Actuating force | | n | ≤ 50 |
| Climatic proofing | | | Damp heat, constant, to IEC 60068-2-78 Damp heat, cyclic, to IEC 60068-2-30 |
| Degree of Protection | | | IP66, IP69 |
| Ambient temperature | | | |
| Open | | °C | -25 - +70 |
| Mounting position | | | As required |
| Mechanical shock resistance | | g | 50 Shock duration 11 ms Sinusoidal according to IEC 60068-2-27 |
| shipping classification | | | DNV GL LR |



Design verification as per IEC/EN 61439

| Technical data for design verification | | |
|--|----|-----|
| Operating ambient temperature min. | °C | -25 |
| Operating ambient temperature max. | °C | 70 |

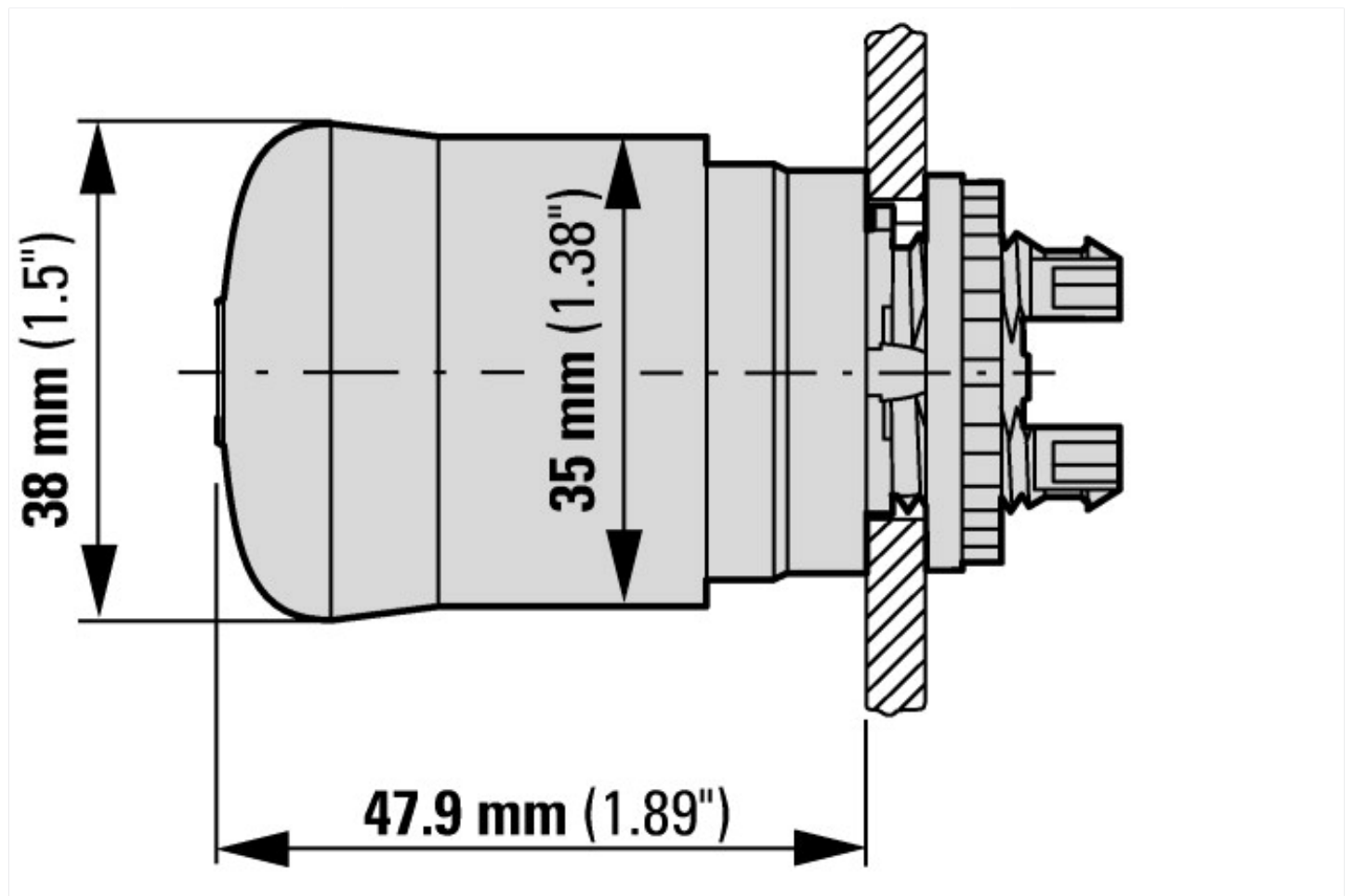
Technical data ETIM 8.0

| Low-voltage industrial components (EG000017) / Front element for mushroom push-button (EC001038) | | |
|---|----|--------------|
| Electric engineering, automation, process control engineering / Low-voltage switch technology / Command and alarm device / Front element for mushroom push-button actuators (ec@ss10.0.1-27-37-12-12 [AKF030014]) | | |
| Colour button | | Red |
| Construction type lens | | Round |
| Diameter cap | mm | 38 |
| Hole diameter | mm | 22.5 |
| Width opening | mm | 0 |
| Height opening | mm | 0 |
| Degree of protection (IP) | | IP66 |
| Degree of protection (NEMA) | | 4X, 13 |
| Type of button | | High |
| Suitable for illumination | | No |
| With lighting | | No |
| Supply voltage lamp | V | 0 |
| Switching function latching | | Yes |
| Spring-return | | No |
| With front ring | | No |
| Material front ring | | Other |
| Colour front ring | | Other |
| Suitable for emergency stop | | Yes |
| Unlocking method | | Pull-release |

Approvals

| | | |
|-----------------------------|--|--|
| Product Standards | | IEC/EN 60947-5; UL 508; CSA-C22.2 No. 14-05; CSA-C22.2 No. 94-91; CE marking |
| UL File No. | | E29184 |
| UL Category Control No. | | NKCR |
| CSA File No. | | 012528 |
| CSA Class No. | | 3211-03 |
| North America Certification | | UL listed, CSA certified |
| Degree of Protection | | UL/CSA Type 3R, 4X, 12, 13 |

Dimensions



Additional product information (links)

| | |
|--|---|
| IL04716005Z RMQ-Titan: Emergency stop buttons, Emergency stop buttons | |
| IL04716005Z RMQ-Titan: Emergency stop buttons, Emergency stop buttons | https://es-assets.eaton.com/DOCUMENTATION/AWA_INSTRUCTIONS/IL04716005Z.pdf |
| IL04716002Z RMQ-Titan System | |
| IL04716002Z RMQ-Titan System | https://es-assets.eaton.com/DOCUMENTATION/AWA_INSTRUCTIONS/IL04716002Z2021_07.pdf |
| DGUV Test Mark Customer Information | http://www.dguv.de/medien/dguv-test-medien/_pdf_zip_doc_ppt/agb-und-pzo/dguv_test_zeichen_infoblatt_kunden.pdf |