
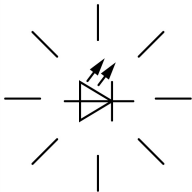




**Continuous light module; blue; LED;230 V**

**Part no.** SL4-L230-B  
**Catalog No.** 171325  
**Alternate Catalog No.** SL4-L230-B  
**EL-Nummer (Norway)** 4137560

### Delivery program

Product range			SL signal towers
Basic function			Continuous light module
Degree of Protection			IP66
Rated operational voltage	$U_e$	V	230/240 V AC
Type of light			Continuous light
Light elements			LED
<b>Colour</b>			
			Blue
			
Function			
Connection to SmartWire-DT			no

### Technical data

#### General

Standards			IEC/EN 60947-5-1
Climatic proofing			Damp heat, cyclic, to IEC 60068-2-30
Mounting position			As required
Mechanical shock resistance		g	> 15 according to IEC 60068-2-27 Shock duration 11 ms Sinusoidal
IEC degree of protection			IP66 IEC/EN 60529
Protection type UL			Type 4, 4X, 13
Material			Enclosure: Polycarbonate (PC), black Cap: Polycarbonate (PC)
Cap colour			Blue
Ambient temperature		°C	-30 - +60
Number of signal elements			Max. 5 with standard base Max. 10 with base for mounting on both sides
Weight		g	45

#### Contacts

Rated impulse withstand voltage	$U_{imp}$	V AC	4000
Rated insulation voltage	$U_i$	V	250
Overtoltage category/pollution degree			III/3

#### modules

Type of light			Continuous light
Light elements			LED

Leakage current	A	< 0.003
lifespan	h	> 100000
Transmission angle		360°
Current-/power consumption		
at 230 /240V AC	A	0.030
Voltage range		230/240 V AC ± 10 %

## Design verification as per IEC/EN 61439

Technical data for design verification		
Operating ambient temperature min.	°C	-30
Operating ambient temperature max.	°C	60

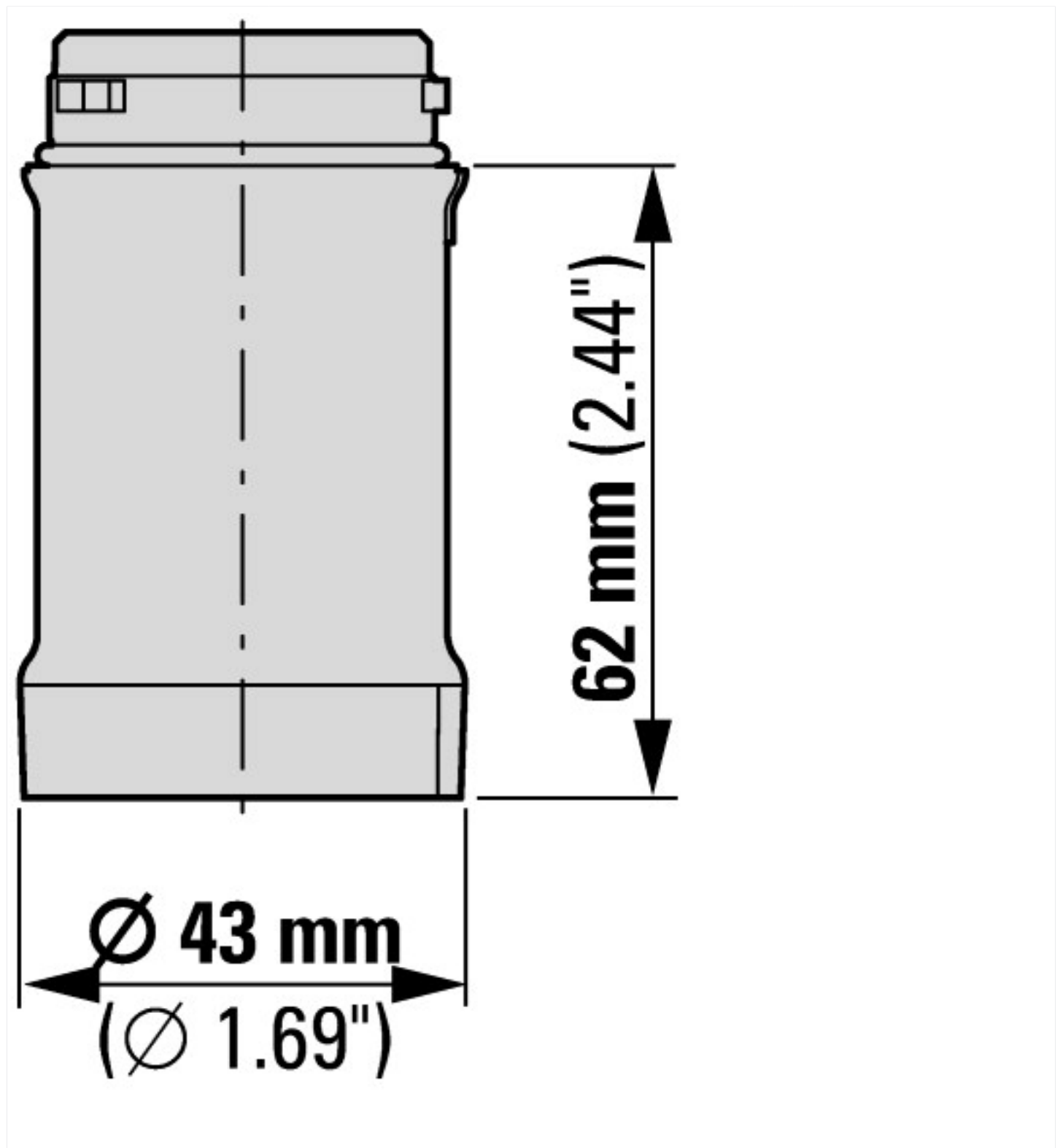
## Technical data ETIM 7.0

Low-voltage industrial components (EG000017) / Optical module for signal tower (EC000232)		
Electric engineering, automation, process control engineering / Low-voltage switch technology / Command and alarm device / Optical module for signal tower (ecl@ss10.0.1-27-37-12-20 [AKF038014])		
Function		Continuous light
Colour		Blue
Outer diameter	mm	43
Operating voltage at AC 50 Hz	V	230 - 240
Operating voltage at AC 60 Hz	V	230 - 240
Operating voltage at DC	V	0 - 0
Voltage type		AC
Lamp type		LED
Colour housing		Black
Degree of protection (IP)		IP66
Degree of protection (NEMA)		4X

## Approvals

Product Standards		IEC/EN 60947-5-1; UL 508; CSA-C22.2 No. 14-10; CSA-C22.2 No. 94-91; CE marking
UL File No.		E29184
UL Category Control No.		NKCR
CSA File No.		UL report applies to both US and Canada
CSA Class No.		NKCR7
North America Certification		UL listed, certified by UL for use in Canada
Degree of Protection		UL Type 4, 4X, 13

## Dimensions



## Assets (links)

### Declaration of CE Conformity

00002899

### Instruction Leaflets

IL047001ZU2018\_05

## Additional product information (links)

### IL047001ZU SL4 Main Instruction

IL047001ZU SL4 Main Instruction

[ftp://ftp.moeller.net/DOCUMENTATION/AWA\\_INSTRUCTIONS/IL047001ZU2018\\_05.pdf](ftp://ftp.moeller.net/DOCUMENTATION/AWA_INSTRUCTIONS/IL047001ZU2018_05.pdf)