

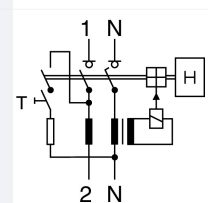


**Residual current circuit breaker (RCCB), 63A, 2p, 300mA, type G/A**

**Part no. FRCMM-63/2/03-G/A-NA-110**  
**Catalog No. 167698**

Similar to illustration

### Delivery program

Basic function			Residual current circuit-breakers
Number of poles			2 pole
Application			Switchgear for 110-V systems
Rated current	$I_n$	A	63
Rated short-circuit strength	$I_{cn}$	kA	10 with back-up fuse
Rated fault current	$I_{\Delta N}$	A	0.3
Type			Type G/A (ÖVE E 8601)
Tripping		s...	Short time-delayed
Product range			FRCmM-NA-110
Sensitivity			Pulse-current sensitive
Impulse withstand current			Surge-proof, 3 kA
Contact sequence			

### Technical data

#### Electrical

Types conform to			IEC/EN 61008 ÖVE E 8601
Current test marks			As per inscription
Tripping		s...	10 ms delay at 50 Hz
Rated voltage according to IEC/EN 60947-2	$U_n$	V AC	110/190
Rated frequency	f	Hz	50/60
Limit values of the operating voltage			
Test circuit		V AC	100 - 121
Rated fault current	$I_{\Delta n}$	mA	300
Sensitivity			Pulse-current sensitive
Rated insulation voltage	$U_i$	V	440
Rated impulse withstand voltage	$U_{imp}$	kV	4 (1.2/50µs)
Rated short-circuit strength	$I_{cn}$	kA	10 with back-up fuse
Impulse withstand current			3 kA (8/20 µs) surge-proof
Max. admissible back-up fuse			
Short-circuit	gG/gL	A	63
Overload	gG/gL	A	40
Rated making and breaking capacity / Rated residual making and breaking capacity	$I_m / I_{\Delta m}$	A	630
lifespan			
Electrical	Operations		≥ 4000
Mechanical	Operations		≥ 10000

#### Electrical

Types conform to			UL1053
Current test marks			As per inscription
Tripping			8 ms delay at 60 Hz

Rated voltage according to UL	$U_n$	V AC	208/120 V, 60 Hz
Limit values of the operating voltage			
Test circuit		V AC	94 - 132
Pick-up current		mA	200
Sensitivity			Pulse-current sensitive
Overvoltage-tested		V	530
Rated impulse withstand voltage	$U_{imp}$	kV	4 (1.2/50 $\mu$ s)
Rated short-circuit strength	$I_{cn}$	kA	5 as per CSA
Max. admissible back-up fuse			
Short-circuit			70 A class J fuse
Overload			The maximum operating current must not exceed the residual current circuit-breaker's rated operational current
Rated making and breaking capacity / Rated residual making and breaking capacity	$I_m / I_{\Delta m}$	A	630
lifespan			
Electrical	Operations		$\geq 4000$
Mechanical	Operations		$\geq 10000$

## Mechanical

Standard front dimension		mm	45
Device height		mm	80
Built-in width		mm	35 (2TE)
Mounting			Quick attachment with 2 latch positions for DIN-rail IEC/EN 60715
Degree of Protection			IP40, IP54 (with moisture-proof enclosure)
Terminals top and bottom			Lift terminals
Terminal protection			Busbar tag shroud to BGV A3, ÖVE-EN 6
Terminal cross-section			
Solid		mm <sup>2</sup>	1.5 - 35
Stranded		mm <sup>2</sup>	2 x 16
Terminal cross-section			M5 (with cross-recessed screw as defined in EN ISO 4757-Z2, Pozidriv PZ2)
Admissible ambient temperature range		°C	-25 - +40
Permissible storage and transport temperatures		°C	-35 - +60
Climatic proofing			25-55°C/90-95% relative humidity according to IEC 60068-2
Humidity		%	5 - 95
Pollution degree			2
Mounting position			As required
Contact position indicator			red / green
Trip indication			white / blue

## Design verification as per IEC/EN 61439

Technical data for design verification			
Rated operational current for specified heat dissipation	$I_n$	A	63
Heat dissipation per pole, current-dependent	$P_{vid}$	W	3.6
Equipment heat dissipation, current-dependent	$P_{vid}$	W	7.2
Operating ambient temperature min.		°C	-25
Operating ambient temperature max.		°C	75
			Starting at 40 °C, the max. permissible continuous current decreases by 1.8% for every 1 °C
IEC/EN 61439 design verification			
10.2 Strength of materials and parts			
10.2.2 Corrosion resistance			
			Meets the product standard's requirements.
10.2.3.1 Verification of thermal stability of enclosures			
			Meets the product standard's requirements.
10.2.3.2 Verification of resistance of insulating materials to normal heat			
			Meets the product standard's requirements.
10.2.3.3 Verification of resistance of insulating materials to abnormal heat and fire due to internal electric effects			
			Meets the product standard's requirements.
10.2.4 Resistance to ultra-violet (UV) radiation			
			Meets the product standard's requirements.
10.2.5 Lifting			
			Does not apply, since the entire switchgear needs to be evaluated.

10.2.6 Mechanical impact		Does not apply, since the entire switchgear needs to be evaluated.
10.2.7 Inscriptions		Meets the product standard's requirements.
10.3 Degree of protection of ASSEMBLIES		Does not apply, since the entire switchgear needs to be evaluated.
10.4 Clearances and creepage distances		Meets the product standard's requirements.
10.5 Protection against electric shock		Does not apply, since the entire switchgear needs to be evaluated.
10.6 Incorporation of switching devices and components		Does not apply, since the entire switchgear needs to be evaluated.
10.7 Internal electrical circuits and connections		Is the panel builder's responsibility.
10.8 Connections for external conductors		Is the panel builder's responsibility.
10.9 Insulation properties		
10.9.2 Power-frequency electric strength		Is the panel builder's responsibility.
10.9.3 Impulse withstand voltage		Is the panel builder's responsibility.
10.9.4 Testing of enclosures made of insulating material		Is the panel builder's responsibility.
10.10 Temperature rise		The panel builder is responsible for the temperature rise calculation. Eaton will provide heat dissipation data for the devices.
10.11 Short-circuit rating		Is the panel builder's responsibility. The specifications for the switchgear must be observed.
10.12 Electromagnetic compatibility		Is the panel builder's responsibility. The specifications for the switchgear must be observed.
10.13 Mechanical function		The device meets the requirements, provided the information in the instruction leaflet (IL) is observed.

## Technical data ETIM 7.0

Circuit breakers and fuses (EG000020) / Residual current circuit breaker (RCCB) (EC000003)		
Electric engineering, automation, process control engineering / Electrical installation, device / Residual current protection system / Residual current circuit breaker (RCCB) (ec1@ss10.0.1-27-14-22-01 [AAB906014])		
Number of poles		2
Rated voltage	V	110
Rated current	A	63
Rated fault current	mA	300
Rated insulation voltage $U_i$	V	440
Rated impulse withstand voltage $U_{imp}$	kV	4
Mounting method		DIN rail
Leakage current type		A
Selective protection		No
Short-time delayed tripping		Yes
Short-circuit breaking capacity ( $I_{cw}$ )	kA	10
Surge current capacity	kA	3
Frequency		50/60 Hz
Additional equipment possible		Yes
With interlocking device		Yes
Degree of protection (IP)		IP20
Width in number of modular spacings		2
Built-in depth	mm	70.5
Ambient temperature during operating	°C	-25 - 40
Pollution degree		2
Connectable conductor cross section multi-wired	mm <sup>2</sup>	1.5 - 16
Connectable conductor cross section solid-core	mm <sup>2</sup>	1.5 - 35

## Dimensions

