



Spare nut, Stainless steel, M30 sensors

Part no. **E57KNS30**  
 Catalog No. **136197**  
 Alternate Catalog No. **E57KNS30**

### Delivery program

Basic function			Accessories
Accessories			Replacement nuts
Material			Stainless steel
<b>For use with</b>			
For use with			M30 sensors

### Design verification as per IEC/EN 61439

Technical data for design verification			
Operating ambient temperature min.		°C	-25
Operating ambient temperature max.		°C	70

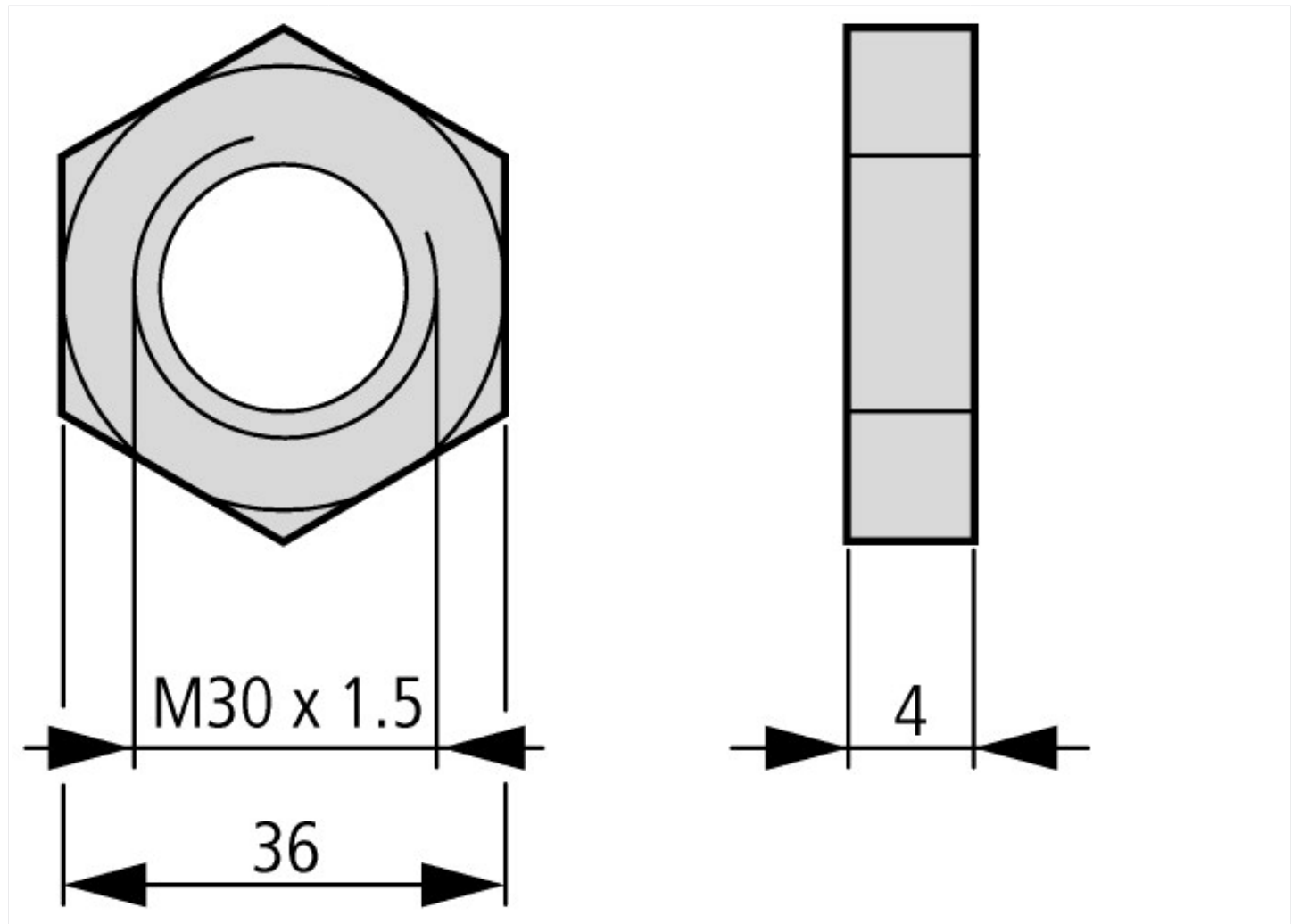
### Technical data ETIM 7.0

Sensors (EG000026) / Accessories for position switches (EC002594)			
Electric engineering, automation, process control engineering / Binary sensor technology, safety-related sensor technology / Position switch / Position switch (accessories) (ecl@ss10.0.1-27-27-06-92 [AFR520003])			
Type of accessory			Other

### Approvals

Product Standards			none
-------------------	--	--	------

## Dimensions



## Assets (links)

[Declaration of CE Conformity](#)

00003158