



Thru-beam photoelectric sensor, receiver, Sn=250m, 4L, 10-30VDC, light, NPN, PNP, M30, metal



Powering Business Worldwide™

**Part no.** E58-30TD250-HL  
**Catalog No.** 135694  
**Alternate Catalog No.** E58-30TD250-HL

## Delivery program

Basic function			Optical sensors
Product range			E58 Harsh Duty Series
For connection of:			2 m connection cable
Design (outer dimensions)		mm	M30 x 1.5
Rated operational voltage	$U_e$		10 - 30 V DC
Rated switching distance	$S_n$	mm	250000
Description			Detector (for combination with source)
Connection			4-wire
Function			Thru-beam photoelectric sensor
Material			Stainless steel
Switching type			NPN PNP
Switching principle			Light switching
<b>Information relevant for export to North America</b>			
Product Standards UL 508; CSA-C22.2 No. 14; IEC60947-5-2; CE marking			
UL File No. E166051			
UL Category Control No. NRKH, NRKH7			
CSA File No. UL report applies to both Canada and US			
CSA Class No. –			
North America Certification UL listed, certified by UL for use in Canada			
Max. Voltage Rating 30 V DC			
Degree of Protection IEC: IP68, IP69K; UL/CSA Type: 1, 2, 3, 3R, 3S, 4, 4x, 6, 6P, 12, 12K, 13			

## Technical data

### General

Standards			IEC/EN 60947-5-2
Ambient temperature			-40 - +55
Mechanical shock resistance		g	100 Shock duration 3 ms
Degree of Protection			IP69

### Characteristics

Rated switching distance			
Rated switching distance	$S_n$	mm	250000
Range		mm	250
Rated operational voltage	$U_e$		10 - 30 V DC
Maximum load current	$I_e$	mA	< 100
Response time		ms	1.6
Switching state display		LED	Red
Protective functions			Short-circuit protective device Protection against polarity reversal Protection against wire breakage
Connection			4-wire
Style			
Design (outer dimensions)		mm	M30 x 1.5
For connection of:			2 m connection cable
Material			Stainless steel

## Design verification as per IEC/EN 61439

Technical data for design verification			
Operating ambient temperature min.		°C	-40
Operating ambient temperature max.		°C	55

## Technical data ETIM 7.0

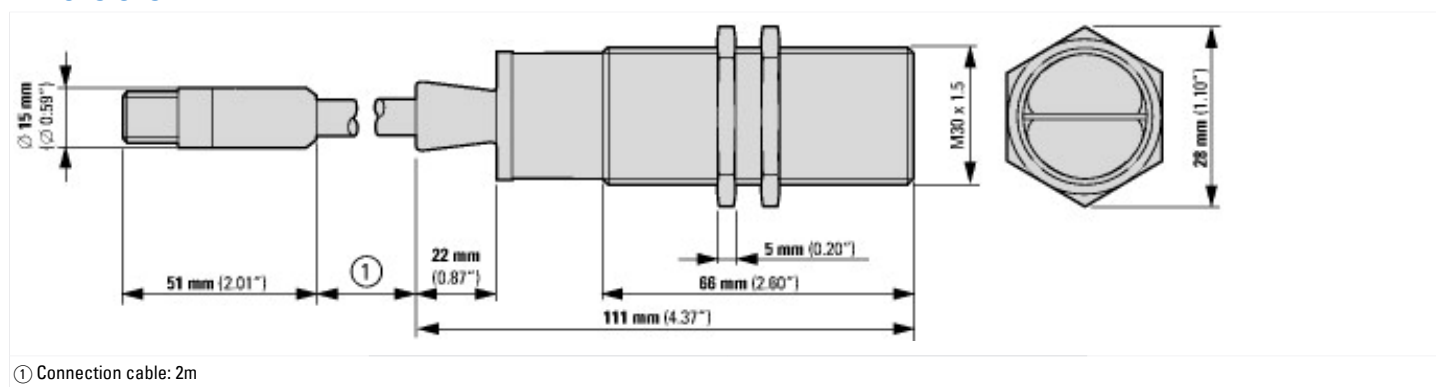
Sensors (EG000026) / One-way light barrier (EC002716)			
Electric engineering, automation, process control engineering / Binary sensor technology, safety-related sensor technology / Optoelectronic sensor / One-way light barrier (ecl@ss10.0.1-27-27-09-01 [AKP250013])			
Scope of delivery of the one-way system			Receiver
Opening angle		°	0
Pre failure notice			No
With time function			No
Rated switching distance		mm	250000
Max. switching distance		mm	0
Max. output current		mA	100
Reflector included			No
Analogue output 0 V ... 10 V			No
Analogue output 0 mA ... 20 mA			No
Analogue output 4 mA ... 20 mA			No
Analogue output -10 V ... +10 V			No
With other analogue output			No
Setting procedure			Other
With communication interface analogue			No
With communication interface AS-Interface			No
With communication interface CANOpen			No
With communication interface DeviceNet			No
With communication interface Ethernet			No
With communication interface INTERBUS			No
With communication interface PROFIBUS			No
With communication interface RS-232			No
With communication interface RS-422			No
With communication interface RS-485			No
With communication interface SSD			No
With communication interface SSI			No
Number of semiconductor outputs with signalling function			2
Number of contact energized outputs with signalling function			0
Number of protected semiconductor outputs			0
Number of protected contact energized outputs			0
Type of interface for safety communication			Other
Type of electric connection			Cable
Type of switching output			PNP/NPN
Type of switch function			Other
Operation agent-safety class			Safety class 2
Explosion safety category for gas			None
Explosion safety category for dust			None
Construction type housing			Cylinder, screw-thread
Width sensor		mm	0
Diameter sensor		mm	30
Height of sensor		mm	0
Length of sensor		mm	111
Sensing mode			Light-/dark switching
Material of optical surface			Glass
Material housing			Metal
Max. output current at protected output		mA	0
Min. reflector distance		mm	0

Ambient temperature	°C	40 - 55
Time of reaction	ms	1.6
Transmission range of the safety field	m	0
Switching frequency	Hz	312
Type of safety acc. IEC 61496-1		
"Switching voltage of OSSD at state ""high""	V	30
Rated control supply voltage Us at AC 50HZ	V	0 - 0
Rated control supply voltage Us at AC 60HZ	V	0 - 0
Rated control supply voltage Us at DC	V	10 - 30
Voltage type		DC
With monitoring function downstream switching devices		No
Laser protection class		None
Wavelength of the sensor	nm	660
Type of light		Other
Light dot	mm <sup>2</sup>	0
AWG-number		0
Material of cable sheath		Other
With restart blockage		No
Suitable for safety functions		No
Degree of protection (IP)		IP67
Degree of protection (NEMA)		4X

## Approvals

Product Standards		UL 508; CSA-C22.2 No. 14; IEC60947-5-2; CE marking
UL File No.		E166051
UL Category Control No.		NRKH, NRKH7
CSA File No.		UL report applies to both Canada and US
CSA Class No.		-
North America Certification		UL listed, certified by UL for use in Canada
Max. Voltage Rating		30 V DC
Degree of Protection		IEC: IP68, IP69K; UL/CSA Type: 1, 2, 3, 3R, 3S, 4, 4x, 6, 6P, 12, 12K, 13

## Dimensions



## Assets (links)

### Declaration of CE Conformity

00002425

### Instruction Leaflets

IL05305003Z2018\_05

## Additional product information (links)

### IL05305003Z E58 Series Harsh Environment Optical Sensors

IL05305003Z E58 Series Harsh Environment Optical Sensors [ftp://ftp.moeller.net/DOCUMENTATION/AWA\\_INSTRUCTIONS/IL05305003Z2018\\_05.pdf](ftp://ftp.moeller.net/DOCUMENTATION/AWA_INSTRUCTIONS/IL05305003Z2018_05.pdf)