

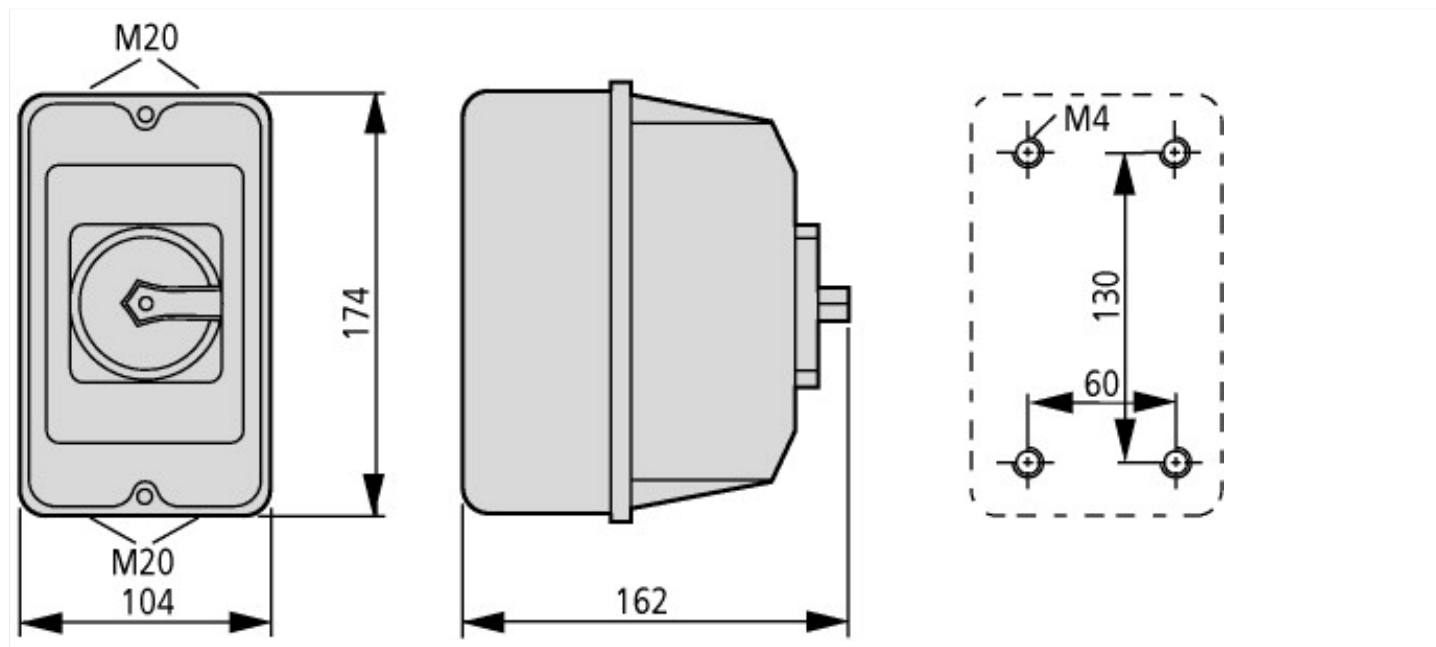


Main switch, +steel enclosure, 3p, 32A, handle red yellow, lockable

Part no. P1-32/ST/SVB  
Catalog No. 025522

Similar to illustration

## Dimensions



## Assets (links)

### Declaration of CE Conformity

00003102

### Instruction Leaflets

IL03802007Z2018\_05