



Contactor relay, 190 V 50 Hz, 220 V 60 Hz, N/O = Normally open: 3 N/O, N/C = Normally closed: 1 NC, Spring-loaded terminals, AC operation



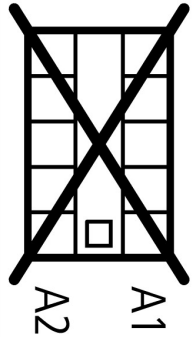
Part no. **DILER-31-C(190V50HZ,220V60HZ)**  
 Catalog No. **231819**  
 Alternate Catalog No. **XTRMC10A31G**

### Delivery program

|   |                |   |   |
|---|----------------|---|---|
| Product range                                 |                |   | DILER Mini-contactors   |
| Application                                   |                |   | Contactor relays  |
| Description                                   |                |   | with interlocked opposing contacts                                |
| Connection technique                          |                |   | Spring-loaded terminals   |
| <b>Rated operational current</b>              |                |   |   |
| Conventional free air thermal current, 1 pole |                |   |   |
| Open  |                |   |   |
| at 50 °C                                      | $I_{th} = I_e$ | A | 10  |
| AC-15   |                |   |   |
| 220 V 230 V 240 V                             | $I_e$          | A | 6   |
| 380 V 400 V 415 V                             | $I_e$          | A | 3   |
| <b>Contacts</b>                               |                |   |   |
| N/O = Normally open                           |                |   | 3 N/O   |
| N/C = Normally closed                         |                |   | 1 NC  |
| Contact sequence                              |                |   |   |
| <b>Code number and version of combination</b> |                |   |   |
| Distinctive number                            |                |   | 31E   |
| For use with                                  |                |   | ...DILE-C   |
| Actuating voltage                             |                |   | 190 V 50 Hz, 220 V 60 Hz  |
| Voltage AC/DC                                 |                |   | AC operation  |
| Instructions                                  |                |   | Contact numbers to EN 50011<br>Coil terminal markings to EN 50005 |

### Technical data

|  |              |               |   |
|--|--------------|---------------|---|
| <b>General</b>   |              |               |   |
| Standards  |              |               | IEC/EN 60947, EN 60947-5-1, VDE 0660, UL, CSA                   |
| Lifespan, mechanical   |              |               |   |
| AC operated  | Operations   | $\times 10^6$ | 10  |
| Maximum operating frequency  | Operations/h |               | 9000  |
| Climatic proofing  |              |               |   |
| Damp heat, constant, to IEC 60068-2-78<br>Damp heat, cyclic, to IEC 60068-2-30 |              |               |   |
| Ambient temperature  |              |               |   |
| Open   |              | °C            | -25 - +50   |
| Enclosed   |              | °C            | -25 - 40  |
| Mounting position  |              |               |   |
| Mounting position  |              |               | As required, except vertical with terminals A1/A2 at the bottom |

|   |  |                 |   |
|---|--|-----------------|---|
| Mounting position   |  |                 |  |
| Mechanical shock resistance (IEC/EN 60068-2-27)                       |  |                 |   |
| Half-sinusoidal shock, 10 ms  |  |                 |   |
| Basic unit with auxiliary contact module                              |  | g               |   |
| N/O contact   |  | g               | 10  |
| N/C contact   |  | g               | 8   |
| Degree of Protection  |  |                 | IP20  |
| Protection against direct contact when actuated from front (EN 50274) |  |                 | Finger and back-of-hand proof   |
| Altitude  |  | m               | Max. 2000   |
| Weight  |  |                 |   |
| AC operated   |  | kg              | 0.17  |
| Terminal capacities   |  | mm <sup>2</sup> |   |
| Spring-loaded terminals   |  |                 |   |
| Flexible with or without ferrule DIN 46228                            |  | mm <sup>2</sup> | 1 x (1 - 2.5)<br>2 x (1 - 2.5)  |
| Solid or stranded   |  | AWG             | 1 x (16 - 14)<br>2 x (16 - 14)  |
| Stripping length  |  | mm              | 10  |
| Standard screwdriver  |  | mm              | 0.6 x 3.5   |

## Contacts

|   |                |           |  |
|---|----------------|-----------|--|
| Interlocked opposing contacts to ZH 1/457, including auxiliary contact module |                |           | Yes  |
| Rated impulse withstand voltage   | $U_{imp}$      | V AC      | 6000   |
| Overvoltage category/pollution degree   |                |           | III/3  |
| Rated insulation voltage  | $U_i$          | V AC      | 690  |
| Rated operational voltage   | $U_e$          | V AC      | 600  |
| Safe isolation to EN 61140  |                |           |  |
| between coil and auxiliary contacts   |                | V AC      | 300  |
| between the auxiliary contacts  |                | V AC      | 300  |
| Rated operational current   |                | A         |  |
| Conventional free air thermal current, 1 pole                                 |                |           |  |
| Open  |                |           |  |
| at 50 °C  | $I_{th} = I_e$ | A         | 10   |
| AC-15   |                |           |  |
| 220 V 230 V 240 V   | $I_e$          | A         | 6  |
| 380 V 400 V 415 V   | $I_e$          | A         | 3  |
| 500 V   | $I_e$          | A         | 1.5  |
| DC current  |                |           |  |
| Notes   |                |           | Switch-on and switch-off conditions based on DC-13, time constant as specified.                                    |
| DC L/R $\leq$ 15 ms   |                |           |  |
| Contacts in series:   |                | A         |  |
| 1   | 24 V           | A         | 2.5  |
| 2   | 60 V           | A         | 2.5  |
| 3   | 110 V          | A         | 1.5  |
| 3   | 220 V          | A         | 0.5  |
| Control circuit reliability   | Failure rate   | $\lambda$ | $<10^{-8}$ , < one failure at 100 million operations<br>(at $U_e = 24$ V DC, $U_{min} = 17$ V, $I_{min} = 5.4$ mA) |
| Short-circuit rating without welding  |                |           |  |

|                                       |  |         |     |
|---------------------------------------|--|---------|-----|
| Maximum overcurrent protective device |  |         |     |
| 220 V 230 V 240 V                     |  | PKZM0   | 4   |
| 380 V 400 V 415 V                     |  | PKZM0   | 4   |
| Short-circuit protection maximum fuse |  |         |     |
| 500 V                                 |  | A gG/gL | 6   |
| 500 V                                 |  | A fast  | 10  |
| Current heat loss at $I_{th}$         |  |         |     |
| AC operated                           |  | W       | 1.1 |

### Magnet systems

|  |         |         |            |
|--|---------|---------|------------|
| Voltage tolerance  |         |         |            |
| AC operated  |         |         |            |
| Single-voltage coil 50 Hz and dual-voltage coil 50 Hz, 60 Hz | Pick-up | $x U_c$ | 0.8 - 1.1  |
| Dual-frequency coil 50/60 Hz                                 | Pick-up | $x U_c$ | 0.85 - 1.1 |
| Power consumption  |         |         |            |
| AC operation   |         |         |            |
| Single-voltage coil 50 Hz and dual-voltage coil 50 Hz, 60 Hz | Pick-up | VA      | 25         |
| Single-voltage coil 50 Hz and dual-voltage coil 50 Hz, 60 Hz | Sealing | VA      | 4.6        |
| Single-voltage coil 50 Hz and dual-voltage coil 50 Hz, 60 Hz | Sealing | W       | 1.3        |
| duty factor  |         | % DF    | 100        |
| Changeover time at 100 % $U_S$ (recommended value)           |         |         |            |
| AC operated closing delay                                    |         | ms      | 14 - 21    |
| AC operated N/O contact opening delay                        |         | ms      | 8 - 18     |
| AC operated With auxiliary contact module Max. closing delay |         | ms      | 45         |

### Rating data for approved types

|                    |  |   |      |
|--------------------|--|---|------|
| Auxiliary contacts |  |   |      |
| Pilot Duty         |  |   |      |
| AC operated        |  |   | A600 |
| DC operated        |  |   | P300 |
| General Use        |  |   |      |
| AC                 |  | V | 600  |
| AC                 |  | A | 10   |
| DC                 |  | V | 250  |
| DC                 |  | A | 0.5  |

### Design verification as per IEC/EN 61439

|  |            |    |  |
|--|------------|----|--|
| Technical data for design verification   |            |    |  |
| Rated operational current for specified heat dissipation   | $I_n$      | A  | 6  |
| Heat dissipation per pole, current-dependent   | $P_{vid}$  | W  | 0.4  |
| Equipment heat dissipation, current-dependent  | $P_{vid}$  | W  | 0  |
| Static heat dissipation, non-current-dependent   | $P_{vs}$   | W  | 1.8  |
| Heat dissipation capacity  | $P_{diss}$ | W  | 0  |
| Operating ambient temperature min.   |            | °C | -25  |
| Operating ambient temperature max.   |            | °C | 50   |
| IEC/EN 61439 design verification   |            |    |  |
| 10.2 Strength of materials and parts   |            |    |  |
| 10.2.2 Corrosion resistance  |            |    | Meets the product standard's requirements.                         |
| 10.2.3.1 Verification of thermal stability of enclosures   |            |    | Meets the product standard's requirements.                         |
| 10.2.3.2 Verification of resistance of insulating materials to normal heat   |            |    | Meets the product standard's requirements.                         |
| 10.2.3.3 Verification of resistance of insulating materials to abnormal heat and fire due to internal electric effects |            |    | Meets the product standard's requirements.                         |
| 10.2.4 Resistance to ultra-violet (UV) radiation   |            |    | Meets the product standard's requirements.                         |
| 10.2.5 Lifting   |            |    | Does not apply, since the entire switchgear needs to be evaluated. |
| 10.2.6 Mechanical impact   |            |    | Does not apply, since the entire switchgear needs to be evaluated. |
| 10.2.7 Inscriptions  |            |    | Meets the product standard's requirements.                         |
| 10.3 Degree of protection of ASSEMBLIES  |            |    | Does not apply, since the entire switchgear needs to be evaluated. |

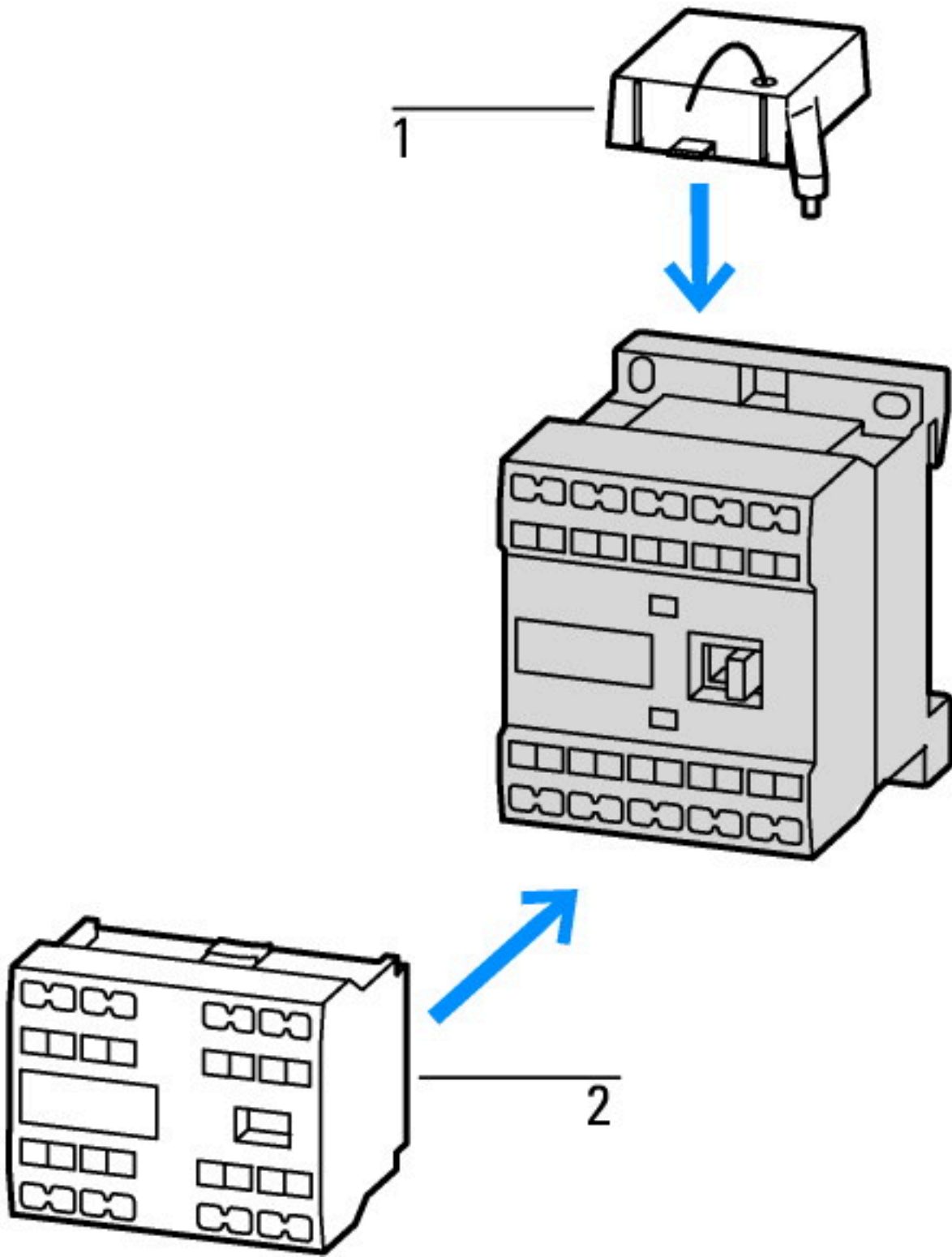
|  |  |  |
|--|--|--|
| 10.4 Clearances and creepage distances                   |  | Meets the product standard's requirements.   |
| 10.5 Protection against electric shock                   |  | Does not apply, since the entire switchgear needs to be evaluated.   |
| 10.6 Incorporation of switching devices and components   |  | Does not apply, since the entire switchgear needs to be evaluated.   |
| 10.7 Internal electrical circuits and connections        |  | Is the panel builder's responsibility.   |
| 10.8 Connections for external conductors                 |  | Is the panel builder's responsibility.   |
| 10.9 Insulation properties                               |  |  |
| 10.9.2 Power-frequency electric strength                 |  | Is the panel builder's responsibility.   |
| 10.9.3 Impulse withstand voltage                         |  | Is the panel builder's responsibility.   |
| 10.9.4 Testing of enclosures made of insulating material |  | Is the panel builder's responsibility.   |
| 10.10 Temperature rise                                   |  | The panel builder is responsible for the temperature rise calculation. Eaton will provide heat dissipation data for the devices. |
| 10.11 Short-circuit rating                               |  | Is the panel builder's responsibility. The specifications for the switchgear must be observed.                                   |
| 10.12 Electromagnetic compatibility                      |  | Is the panel builder's responsibility. The specifications for the switchgear must be observed.                                   |
| 10.13 Mechanical function                                |  | The device meets the requirements, provided the information in the instruction leaflet (IL) is observed.                         |

## Technical data ETIM 7.0

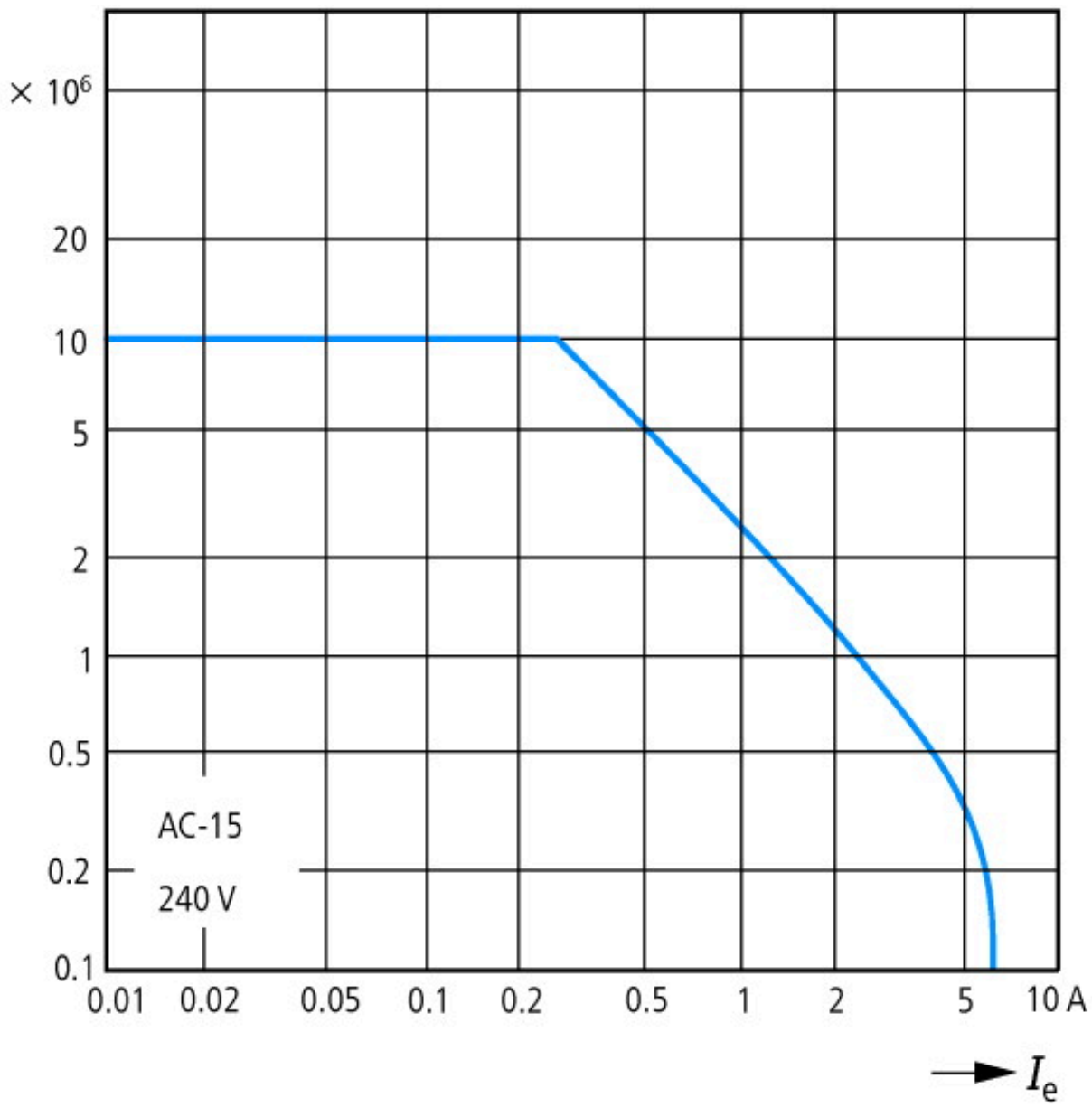
|   |   |                         |
|---|---|-------------------------|
| Low-voltage industrial components (EG000017) / Contactor relay (EC000196)   |   |                         |
| Electric engineering, automation, process control engineering / Low-voltage switch technology / Contactor (LV) / Contactor relay (ec @ss10.0.1-27-37-10-01 [AAB716014]) |   |                         |
| Rated control supply voltage Us at AC 50HZ  | V | 190 - 190               |
| Rated control supply voltage Us at AC 60HZ  | V | 220 - 220               |
| Rated control supply voltage Us at DC   | V | 0 - 0                   |
| Voltage type for actuating  |   | AC                      |
| Rated operation current Ie, 400 V   | A | 3                       |
| Connection type auxiliary circuit   |   | Spring clamp connection |
| Mounting method   |   | DIN-rail/screw          |
| Interface   |   | No                      |
| Number of auxiliary contacts as normally closed contact   |   | 1                       |
| Number of auxiliary contacts as normally open contact   |   | 3                       |
| Number of auxiliary contacts as normally closed contact, delayed switching  |   | 0                       |
| Number of auxiliary contacts as normally open contact, leading  |   | 0                       |
| With LED indication   |   | No                      |
| Number of auxiliary contacts as change-over contact   |   | 0                       |
| Manual operation possible   |   | No                      |

## Approvals

|                                      |  |   |
|--------------------------------------|--|---|
| Product Standards                    |  | IEC/EN 60947-4-1; UL 508; CSA-C22.2 No. 14-05; CE marking |
| UL File No.                          |  | E29184  |
| UL Category Control No.              |  | NKCR  |
| CSA File No.                         |  | 012528  |
| CSA Class No.                        |  | 3211-03   |
| North America Certification          |  | UL listed, CSA certified                                  |
| Specially designed for North America |  | No  |



1: Suppressor  
2: Auxiliary contact module

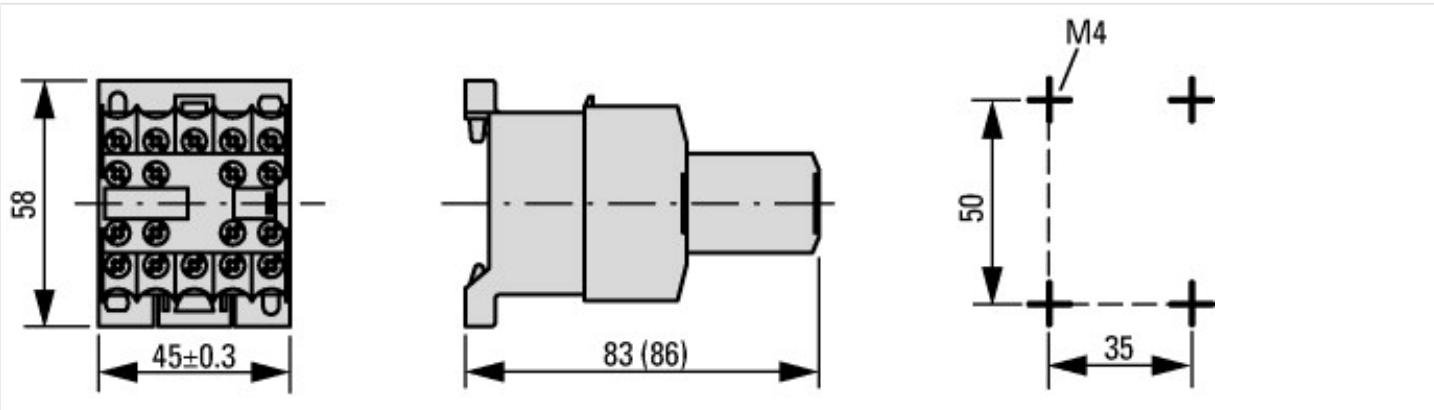


Component lifespan (operations)  
 $I_e$  = Rated operational current

## Dimensions



DILER...  
 DILER...-G(-C)



DILER-...(-C) + ...DILE(-C)  
DILER-...-G(-C) + ...DILE(-C)

### Assets (links)

**Declaration of CE Conformity**

00003110

**Instruction Leaflets**

IL03407009Z2018\_04

### Additional product information (links)

**IL03407009Z (AWA2100-0882) Mini contactor relay**

IL03407009Z (AWA2100-0882) Mini contactor relay [ftp://ftp.moeller.net/DOCUMENTATION/AWA\\_INSTRUCTIONS/IL03407009Z2020\\_05.pdf](ftp://ftp.moeller.net/DOCUMENTATION/AWA_INSTRUCTIONS/IL03407009Z2020_05.pdf)