
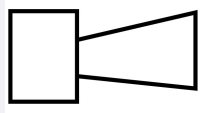




Acoustic module;120 V;continuous or pulsed tone

Part no. **SL4-AP120**
 Catalog No. **171380**
 Alternate Catalog No. **SL4-AP120**
 EL-Nummer (Norway) **4137615**

Delivery program

Product range			SL signal towers
Basic function			Acoustic module
Degree of Protection			IP66
Rated operational voltage	U_e	V	110/120 V AC
Rated operational current	I_e	mA	21
Description			Continuous tone or pulsed tone, adjustable with internal dip switches. Sound pressure 80 dB. $f = 4000$ Hz Place only at the highest position on a pole
Colour			
Function			
Connection to SmartWire-DT			no

Technical data

General			
Standards			IEC/EN 60947-5-1
Climatic proofing			Damp heat, cyclic, to IEC 60068-2-30
Mounting position			As required
Mechanical shock resistance		g	> 15 according to IEC 60068-2-27 Shock duration 11 ms Sinusoidal
IEC degree of protection			IP66 IEC/EN 60529
Protection type UL			Type 4, 4X, 13
Material			Enclosure: Polycarbonate (PC), black Cap: Polycarbonate (PC)
Ambient temperature		°C	-30 - +60
Weight		g	43

Contacts

Rated impulse withstand voltage	U_{imp}	V AC	4000
Rated insulation voltage	U_i	V	250
Overtoltage category/pollution degree			III/3

modules

Leakage current		A	< 0.003
Type of tone			Continuous or pulsed tone
Types of sound			2 versions, table of sound types
Sound setting			Internal; 1 pole DIP
Sound pressure		dB	80
Transmission angle			360°

Current-/power consumption		
at 110/120 V AC	A	0.021
Voltage range		110/120 V AC \pm 10 %

Design verification as per IEC/EN 61439

Technical data for design verification		
Operating ambient temperature min.	°C	-30
Operating ambient temperature max.	°C	60

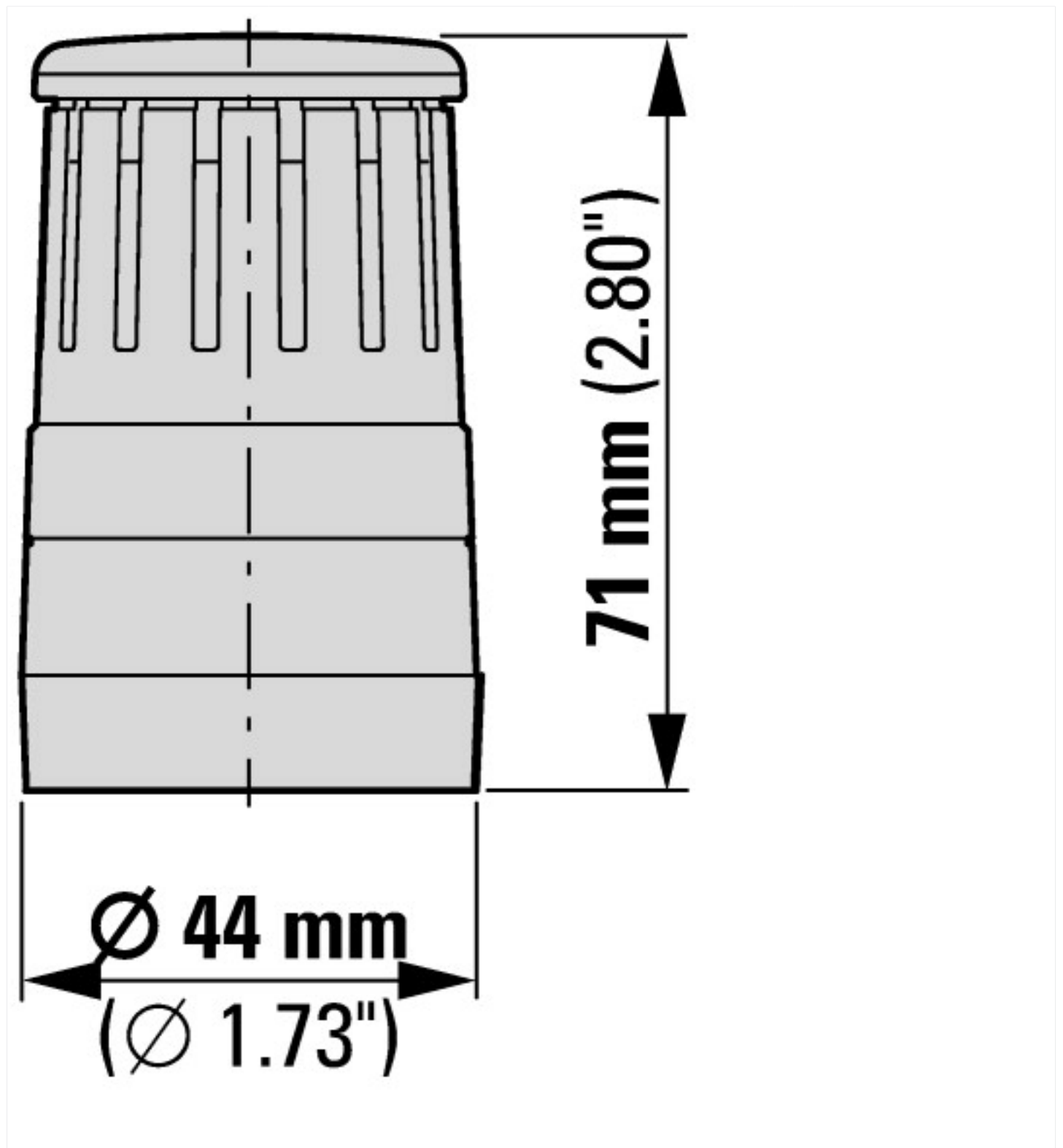
Technical data ETIM 7.0

Low-voltage industrial components (EG000017) / Acoustic module for signal tower (EC001261)		
Electric engineering, automation, process control engineering / Low-voltage switch technology / Command and alarm device / Signal column element, acoustic (ecl@ss10.0.1-27-37-12-37 [AKF055014])		
Function		Continuous tone/pulse tone
Outer diameter	mm	43
Colour		Black
Operating voltage at AC 50 Hz	V	110 - 120
Operating voltage at AC 60 Hz	V	110 - 120
Operating voltage at DC	V	0 - 0
Voltage type		AC
Tone adjustable		Yes
Degree of protection (IP)		IP66
Degree of protection (NEMA)		4X
Loudness	dB	80

Approvals

Product Standards		IEC/EN 60947-5-1; UL 508; CSA-C22.2 No. 14-10; CSA-C22.2 No. 94-91; CE marking
UL File No.		E29184
UL Category Control No.		NKCR
CSA File No.		UL report applies to both US and Canada
CSA Class No.		NKCR7
North America Certification		UL listed, certified by UL for use in Canada
Degree of Protection		UL Type 4, 4X, 13

Dimensions



Assets (links)

Declaration of CE Conformity

00002899

Instruction Leaflets

IL047001ZU2018_05

Additional product information (links)

IL047001ZU SL4 Main Instruction

IL047001ZU SL4 Main Instruction

ftp://ftp.moeller.net/DOCUMENTATION/AWA_INSTRUCTIONS/IL047001ZU2018_05.pdf