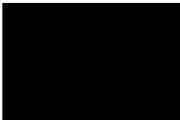




Base module;quick-mounting;400 mm aluminum tube

Part no. **SL4-FMS-400**  
 Catalog No. **171310**  
 Alternate Catalog No. **SL4-FMS-400**  
 EL-Nummer (Norway) **4137546**

### Delivery program

|                            |  |   |
|----------------------------|--|---|
| Product range              |  | SL signal towers  |
| Basic function             |  | Base module   |
| Connection technique       |  | Screw terminals   |
| Mounting type              |  | for horizontal mounting   |
| Fitted with                |  | Base with base adapter for slipping onto place (rapid mounting and wiring system) including cover |
| Tube length                |  | 400 mm  |
| Number of modules          |  | max. 5 modules  |
| <b>Colour</b>              |  | black<br>Aluminum color tube  |
|                            |  |               |
| For use with               |  | SL4-L-...<br>SL4-BL-...<br>SL4-FL-...<br>SL4-AP-...   |
| Connection to SmartWire-DT |  | no  |

### Technical data

|                             |   |   |
|-----------------------------|---|---|
| <b>General</b>              |   |   |
| Standards                   |   | IEC/EN 60947-5-1  |
| Climatic proofing           |   | Damp heat, cyclic, to IEC 60068-2-30                                      |
| Mounting position           |   | As required   |
| Mechanical shock resistance | g | > 15<br>according to IEC 60068-2-27<br>Shock duration 11 ms<br>Sinusoidal |

|   |  |                 |   |
|---|--|-----------------|---|
| IEC degree of protection                  |  |                 | IP66<br>IEC/EN 60529  |
| Protection type UL                        |  |                 | Type 4, 4X, 13  |
| Cap colour                                |  |                 |   |
|   |  |                 | black<br>Aluminum color tube  |
| Ambient temperature                       |  | °C              | -30 - +60   |
| Number of signal elements                 |  |                 | Max. 5 with standard base<br>Max. 10 with base for mounting on both sides |
| Terminal capacity                         |  |                 |   |
| Solid or flexible conductor               |  | mm <sup>2</sup> | 0.2 - 1.5   |
| Solid or flexible conductor, with ferrule |  | mm <sup>2</sup> | 0,25 - 1,5  |
| Flexible with ferrule with plastic collar |  | mm <sup>2</sup> | 0.25 - 0.75   |
|   |  |                 | AWG 24 - AWG 16   |

### Contacts

|                                       |                  |      |       |
|---------------------------------------|------------------|------|-------|
| Rated impulse withstand voltage       | U <sub>imp</sub> | V AC | 4000  |
| Rated insulation voltage              | U <sub>i</sub>   | V    | 250   |
| Overvoltage category/pollution degree |                  |      | III/3 |

### modules

|               |  |  |   |
|---------------|--|--|---|
| Voltage range |  |  | 24 V AC/DC ± 10 %<br>110/120 V AC ± 10 %<br>230/240 V AC ± 10 % |
|---------------|--|--|---|

## Design verification as per IEC/EN 61439

|  |  |    |     |
|--|--|----|-----|
| Technical data for design verification |  |    |     |
| Operating ambient temperature min.     |  | °C | -30 |
| Operating ambient temperature max.     |  | °C | 60  |

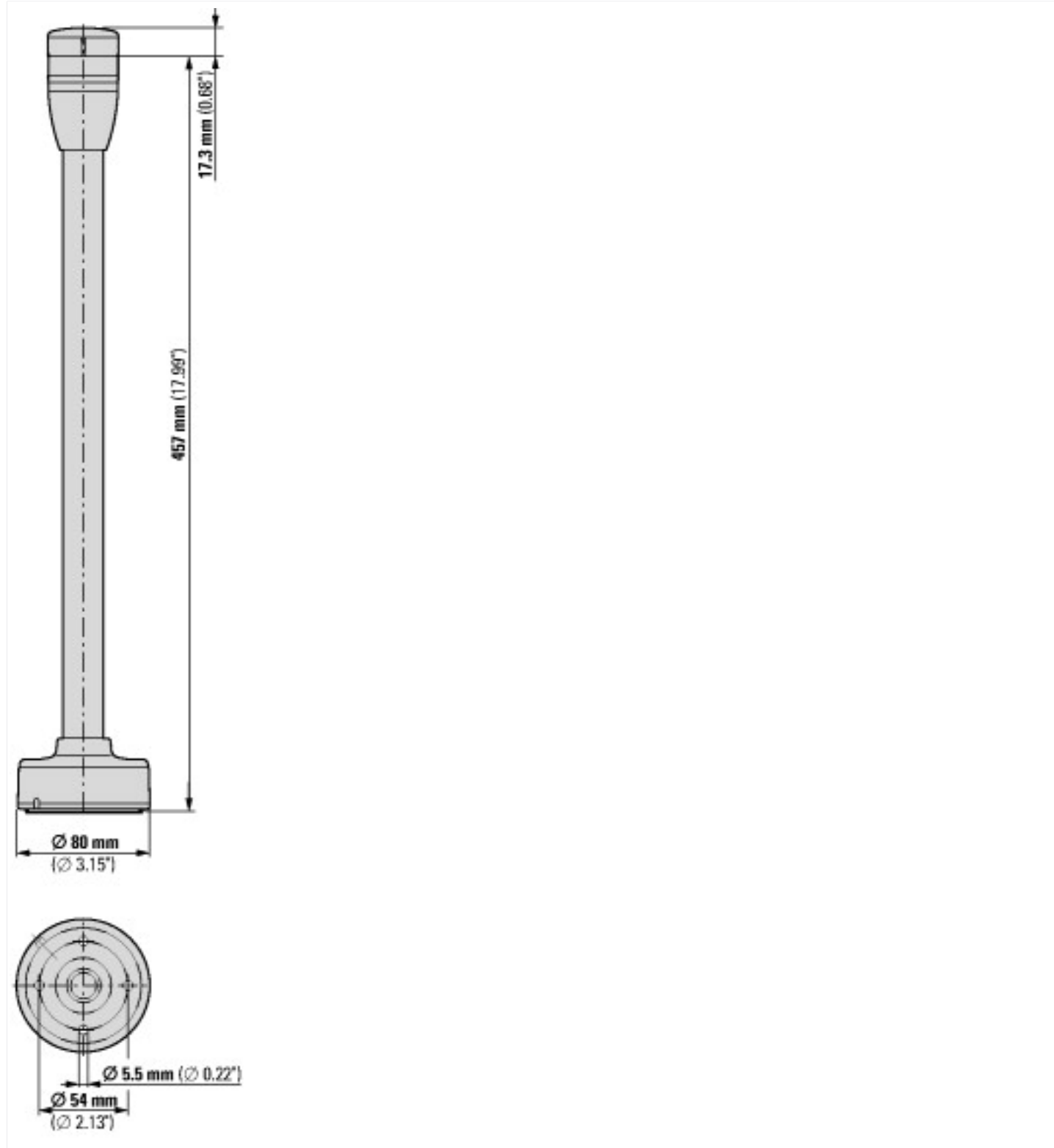
## Technical data ETIM 7.0

|   |  |  |                  |
|---|--|--|------------------|
| Low-voltage industrial components (EG000017) / Connection module for signal tower (EC001152)  |  |  |                  |
| Electric engineering, automation, process control engineering / Low-voltage switch technology / Command and alarm device / Signal column element, connection module<br>(ecI@ss10.0.1-27-37-12-32 [AKF050014]) |  |  |                  |
| Connection type auxiliary circuit   |  |  | Screw connection |
| Tube mounting possible  |  |  | No               |
| Bracket mounting possible   |  |  | Yes              |
| Floor mounting possible   |  |  | Yes              |
| Colour  |  |  | Other            |
| Suitable for AS interface   |  |  | No               |

## Approvals

|                             |  |  |  |
|-----------------------------|--|--|--|
| Product Standards           |  |  | IEC/EN 60947-5-1; UL 508; CSA-C22.2 No. 14-10; CSA-C22.2 No. 94-91; CE marking |
| UL File No.                 |  |  | E29184   |
| UL Category Control No.     |  |  | NKCR   |
| CSA File No.                |  |  | UL report applies to both US and Canada  |
| CSA Class No.               |  |  | NKCR7  |
| North America Certification |  |  | UL listed, certified by UL for use in Canada                                   |
| Degree of Protection        |  |  | UL Type 4, 4X, 13  |

## Dimensions



## Assets (links)

### Declaration of CE Conformity

00002899

### Instruction Leaflets

IL047007ZU2018\_05

## Additional product information (links)

### IL047007ZU Signal Towers SL4/7: Quick mount base

IL047007ZU Signal Towers SL4/7: Quick mount base [ftp://ftp.moeller.net/DOCUMENTATION/AWA\\_INSTRUCTIONS/IL047007ZU2018\\_05.pdf](ftp://ftp.moeller.net/DOCUMENTATION/AWA_INSTRUCTIONS/IL047007ZU2018_05.pdf)

### IL047002ZU Signal Towers SL4/SL7: Drill pattern

IL047002ZU Signal Towers SL4/SL7: Drill pattern [ftp://ftp.moeller.net/DOCUMENTATION/AWA\\_INSTRUCTIONS/IL047002ZU2018\\_05.pdf](ftp://ftp.moeller.net/DOCUMENTATION/AWA_INSTRUCTIONS/IL047002ZU2018_05.pdf)

