
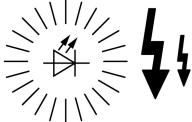




LED multistrobe light, green 24V, H.P.

Part no. **SL7-FL24-G-HPM**
 Catalog No. **171276**
 Alternate Catalog No. **SL7-FL24-G-HPM**
 EL-Nummer (Norway) **4137624**

Delivery program

Product range			SL signal towers
Basic function			Multi-strobe light module
Degree of Protection			IP66
Rated operational voltage	U _e	V	24 V AC/DC
Description			High-performance LED for maximum signaling effect
Type of light			Multistrobe light
Light elements			High Performance LED
Colour			green
			
Function			
Connection to SmartWire-DT			no

Technical data

General

Standards			IEC/EN 60947-5-1
Climatic proofing			Damp heat, cyclic, to IEC 60068-2-30
Mounting position			As required
Mechanical shock resistance		g	> 15 according to IEC 60068-2-27 Shock duration 11 ms Sinusoidal
IEC degree of protection			IP66 IEC/EN 60529
Protection type UL			Type 4, 4X, 13
Material			Enclosure: Polycarbonate (PC), black Cap: Polycarbonate (PC)
Cap colour			green
Ambient temperature		°C	-30 - +60
Number of signal elements			Max. 5 with standard base Max. 10 with base for mounting on both sides
Weight		g	80

Contacts

Rated impulse withstand voltage	U _{imp}	V AC	4000
Rated insulation voltage	U _i	V	250
Overvoltage category/pollution degree			III/3

modules

Type of light			Multistrobe light
Light elements			High Performance LED
Flashing/strobe frequency			1 - 2.6 Hz
Leakage current		A	< 0.003

lifespan	h	> 50000
Transmission angle		360°
Current-/power consumption		
at 24 V AC/DC	A	0.260 - 0.265
Voltage range		18-30 V DC/18-26 V AC

Design verification as per IEC/EN 61439

Technical data for design verification		
Operating ambient temperature min.	°C	-30
Operating ambient temperature max.	°C	60

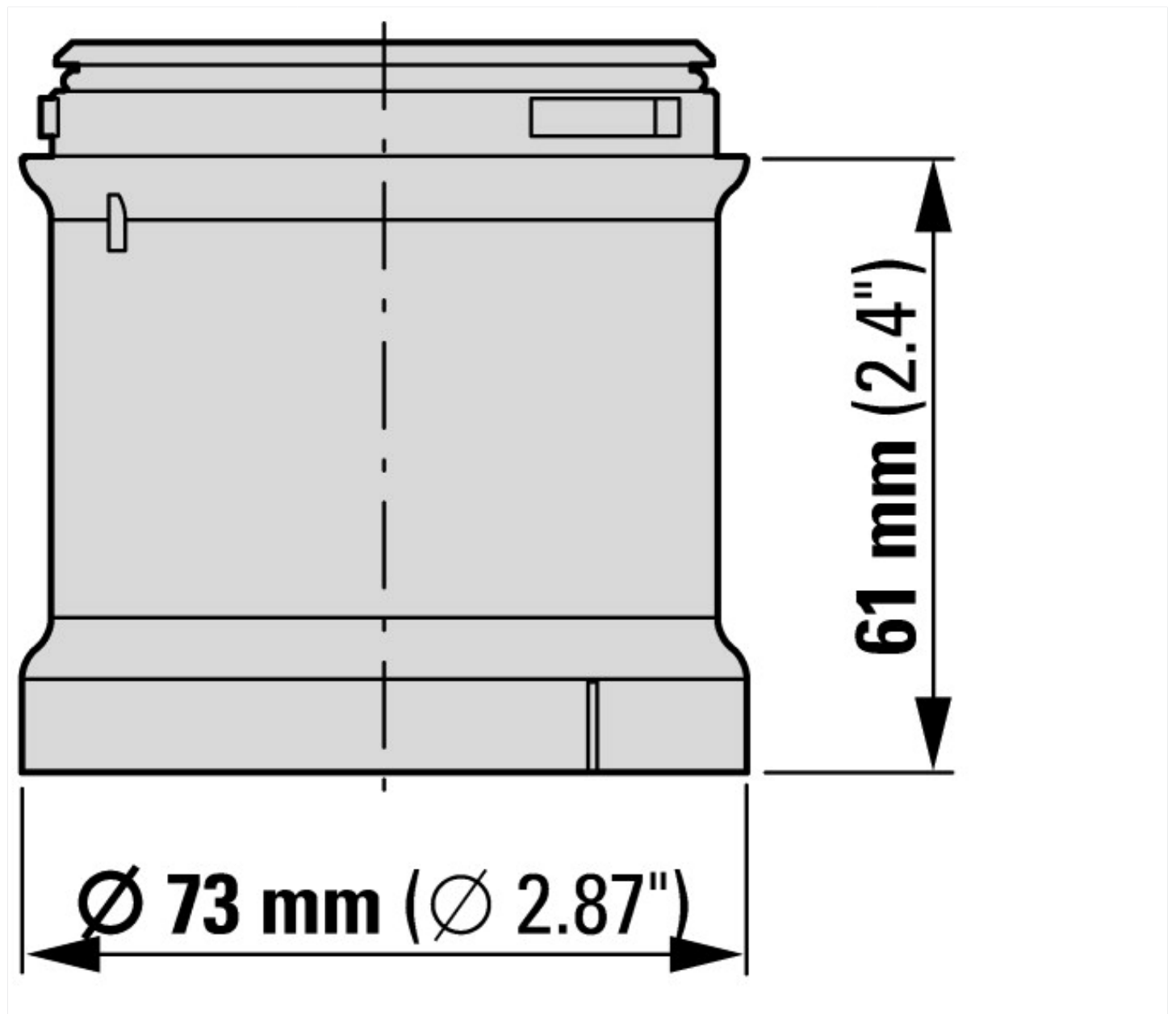
Technical data ETIM 7.0

Low-voltage industrial components (EG000017) / Optical module for signal tower (EC000232)		
Electric engineering, automation, process control engineering / Low-voltage switch technology / Command and alarm device / Optical module for signal tower (ecl@ss10.0.1-27-37-12-20 [AKF038014])		
Function		Flash light
Colour		Green
Outer diameter	mm	73
Operating voltage at AC 50 Hz	V	18 - 26
Operating voltage at AC 60 Hz	V	18 - 26
Operating voltage at DC	V	18 - 30
Voltage type		AC/DC
Lamp type		LED
Colour housing		Black
Degree of protection (IP)		IP66
Degree of protection (NEMA)		4X

Approvals

Product Standards		IEC/EN 60947-5-1; UL 508; CSA-C22.2 No. 14-10; CSA-C22.2 No. 94-91; CE marking
UL File No.		E29184
UL Category Control No.		NKCR
CSA File No.		UL report applies to both US and Canada
CSA Class No.		NKCR7
North America Certification		UL listed, certified by UL for use in Canada
Degree of Protection		UL Type 4, 4X, 13

Dimensions



Assets (links)

Declaration of CE Conformity

00002899

Instruction Leaflets

IL047004ZU2018_05

Additional product information (links)

IL047004ZU SL7 Light Modules, Tone Modules

IL047004ZU SL7 Light Modules, Tone Modules ftp://ftp.moeller.net/DOCUMENTATION/AWA_INSTRUCTIONS/IL047004ZU2018_05.pdf