



Side mounted handle, kit, type 12 84z, size 2, UL

Part no. NZM2-XSH-12-84-NA
Catalog No. 155483
Alternate Catalog No. NZM2-XSH-12-84-NA

Delivery program

| | | |
|---|--|---|
| Product range | | Accessories |
| Accessories | | side mounted handle |
| Standard/Approval | | UL/CSA (keine Zulassung im Geltungsbereich der IEC/EN 60947) |
| Construction size | | NZM2 |
| Description | | For mounting outside the control panel door Used to operate a switch with a toggle lever using a Bowden cable and a mechanical system that needs to be mounted on the front end of the switch. For switch with toggle lever |
| Equipment supplied | | Complete kit Includes handle, mechanical system, and Bowden cable |
| Function | | For 1 door on an American-style control panel (door plus wide bar next to door) |
| Protection class | | UL/CSA Type 4X, Type 12 |
| Door interlock | | Lockable in the 0 position using up to 3 padlocks on the handle |
| For use with | | NZM2...-NA, NS2...-NA |
| Notes | | |
| Caution! Intended exclusively for use outside the scope of application of IEC/EN 60947! | | |

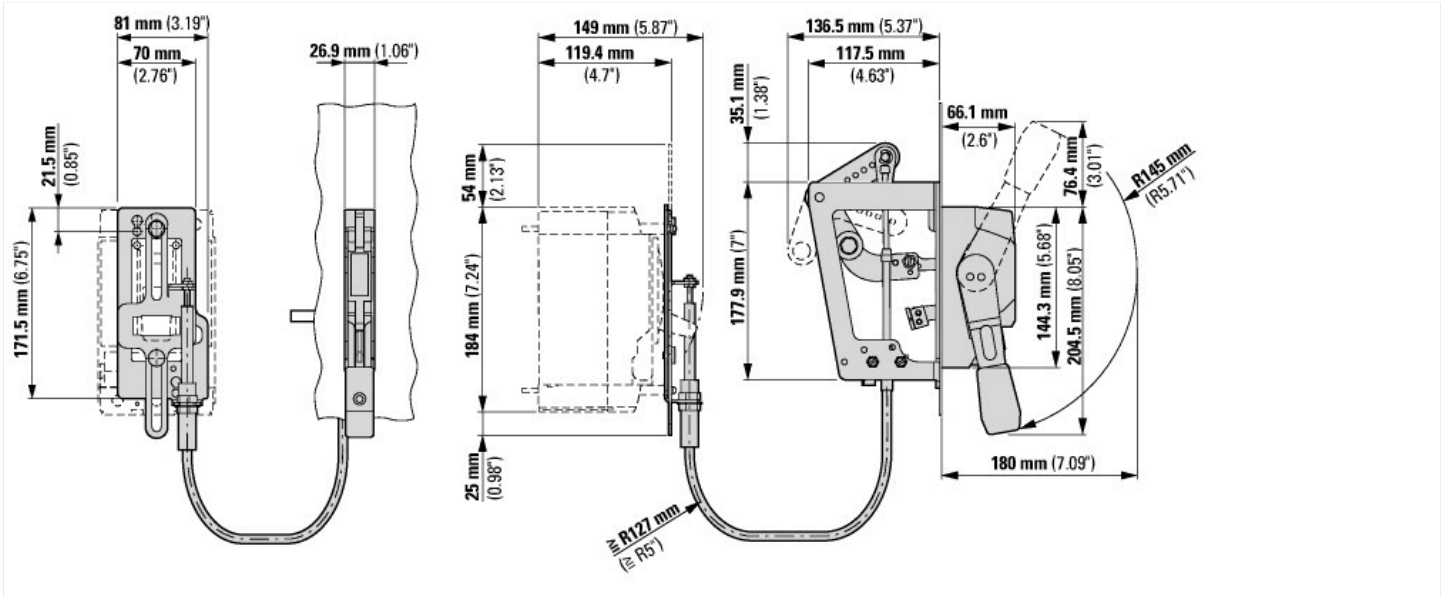
Design verification as per IEC/EN 61439

| | | |
|--|--|--|
| IEC/EN 61439 design verification | | |
| 10.2 Strength of materials and parts | | |
| 10.2.2 Corrosion resistance | | Meets the product standard's requirements. |
| 10.2.3.1 Verification of thermal stability of enclosures | | Meets the product standard's requirements. |
| 10.2.3.2 Verification of resistance of insulating materials to normal heat | | Meets the product standard's requirements. |
| 10.2.3.3 Verification of resistance of insulating materials to abnormal heat and fire due to internal electric effects | | Meets the product standard's requirements. |
| 10.2.4 Resistance to ultra-violet (UV) radiation | | Meets the product standard's requirements. |
| 10.2.5 Lifting | | Does not apply, since the entire switchgear needs to be evaluated. |
| 10.2.6 Mechanical impact | | Does not apply, since the entire switchgear needs to be evaluated. |
| 10.2.7 Inscriptions | | Meets the product standard's requirements. |
| 10.3 Degree of protection of ASSEMBLIES | | Does not apply, since the entire switchgear needs to be evaluated. |
| 10.4 Clearances and creepage distances | | Meets the product standard's requirements. |
| 10.5 Protection against electric shock | | Does not apply, since the entire switchgear needs to be evaluated. |
| 10.6 Incorporation of switching devices and components | | Does not apply, since the entire switchgear needs to be evaluated. |
| 10.7 Internal electrical circuits and connections | | Is the panel builder's responsibility. |
| 10.8 Connections for external conductors | | Is the panel builder's responsibility. |
| 10.9 Insulation properties | | |
| 10.9.2 Power-frequency electric strength | | Is the panel builder's responsibility. |
| 10.9.3 Impulse withstand voltage | | Is the panel builder's responsibility. |
| 10.9.4 Testing of enclosures made of insulating material | | Is the panel builder's responsibility. |
| 10.10 Temperature rise | | The panel builder is responsible for the temperature rise calculation. Eaton will provide heat dissipation data for the devices. |
| 10.11 Short-circuit rating | | Is the panel builder's responsibility. The specifications for the switchgear must be observed. |
| 10.12 Electromagnetic compatibility | | Is the panel builder's responsibility. The specifications for the switchgear must be observed. |
| 10.13 Mechanical function | | The device meets the requirements, provided the information in the instruction leaflet (IL) is observed. |

Technical data ETIM 7.0

| | | |
|------------------------------------|--|-------|
| Lockable | | Yes |
| Colour | | Black |
| Suitable for emergency stop | | No |
| With extension shaft | | Yes |
| Suitable for power circuit breaker | | Yes |
| Suitable for switch disconnecter | | Yes |

Dimensions



Flange mounted handle kit Type 12 84"