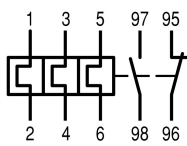




Overload relay, Separate mounting, Earth-fault protection: none, $I_r = 0.33 - 1.65$ A, 1 N/O, 1 N/C

Part no. ZEB32-1,65/KK
 Catalog No. 136494
 Alternate Catalog No. XTOE1P6CCSS
 EL-Nummer (Norway) 0004137363

Delivery program

Product range			Electronic overload relays ZEB
Phase-failure sensitivity			IEC/EN 60947, VDE 0660 Part 102
Description			Test/off button Reset pushbutton Manual/auto reset selectable Protection with heavy starting duty (Class 10A-30)
Mounting type			Separate mounting
Earth-fault protection			
Earth-fault protection			none
Setting range			
Overload releases	I_r	A	0.33 - 1.65
Contact sequence			
Auxiliary contacts			
N/O = Normally open			1 N/O
N/C = Normally closed			1 N/C
For use with			DILM17 DILM25 DILM32 DILM38 DIULM17 DIULM25 DIULM32 SDAINLM30 SDAINLM45 SDAINLM55

Technical data

General			
Standards			IEC/EN 60947, VDE 0660, UL, CSA
Climatic proofing			Damp heat, constant, to IEC 60068-2-78 Damp heat, cyclic, to IEC 60068-2-30
Ambient temperature			
Open		°C	-25 - +65
Ambient temperature open max.		°C	65
Enclosed		°C	
Ambient temperature enclosed max.		°C	65
Mechanical shock resistance		g	15 Shock duration 10 ms according to IEC 60068-2-27
Degree of Protection			IP20
Protection against direct contact when actuated from front (EN 50274)			Finger and back-of-hand proof
Altitude		m	Max. 2000
Main conducting paths			
Rated impulse withstand voltage	U_{imp}	V AC	6000
Overvoltage category/pollution degree			III/3

Rated insulation voltage	U _i	V AC	690
Rated operational voltage	U _e	V AC	690
Rated frequency	f	Hz	50/60
Safe isolation to EN 61140			
Between auxiliary contacts and main contacts		V AC	600
Between main circuits		V AC	600
Terminal capacities		mm ²	
Solid		mm ²	1 x 1.5 - 16
Solid or stranded		AWG	1 x 14 - 4
Stripping length		mm	13

Auxiliary and control circuits

Rated impulse withstand voltage	U _{imp}	V	6000
Overvoltage category/pollution degree			III/3
Terminal capacities		mm ²	
Solid		mm ²	2 x (0.75 - 4)
Flexible with ferrule		mm ²	2 x (0.75 - 2.5)
Solid or stranded		AWG	2 x (18 - 12)
Terminal screw			M3.5
Tightening torque		Nm	0.8 - 1.2
Tightening torque		lb-in	7
Stripping length		mm	8
Tools			
Pozidriv screwdriver		Size	2
Standard screwdriver		mm	1 x 6
Rated insulation voltage	U _i	V AC	500
Rated operational voltage	U _e	V AC	500
Safe isolation to EN 61140			
between the auxiliary contacts		V AC	240
Conventional thermal current	I _{th}	A	5
Rated operational current	I _e	A	
AC-15			
Make contact			
120 V	I _e	A	1.5
220 V 230 V 240 V	I _e	A	1.5
380 V 400 V 415 V	I _e	A	0.5
500 V	I _e	A	0.5
Break contact			
120 V	I _e	A	1.5
220 V 230 V 240 V	I _e	A	1.5
380 V 400 V 415 V	I _e	A	0.9
500 V	I _e	A	0.8
DC L/R ≤ 15 ms			
			Switch-on and switch-off conditions based on DC-13, time constant as specified.
24 V	I _e	A	0.9
60 V	I _e	A	0.75
110 V	I _e	A	0.4
220 V	I _e	A	0.2
Short-circuit rating without welding			
max. fuse		A gG/gL	6

Rating data for approved types

Auxiliary contacts			
Pilot Duty			
AC operated			B600

DC operated			R300
Short Circuit Current Rating		SCCR	
Basic Rating			
SCCR		kA	1
max. Fuse		A	6, RK5

Design verification as per IEC/EN 61439

Technical data for design verification			
Rated operational current for specified heat dissipation	I_n	A	1.65
Heat dissipation per pole, current-dependent	P_{vid}	W	0.17
Equipment heat dissipation, current-dependent	P_{vid}	W	0.5
Static heat dissipation, non-current-dependent	P_{vs}	W	0
Heat dissipation capacity	P_{diss}	W	0
Operating ambient temperature min.		°C	-25
Operating ambient temperature max.		°C	65
IEC/EN 61439 design verification			
10.2 Strength of materials and parts			
10.2.2 Corrosion resistance			
			Meets the product standard's requirements.
10.2.3.1 Verification of thermal stability of enclosures			
			Meets the product standard's requirements.
10.2.3.2 Verification of resistance of insulating materials to normal heat			
			Meets the product standard's requirements.
10.2.3.3 Verification of resistance of insulating materials to abnormal heat and fire due to internal electric effects			
			Meets the product standard's requirements.
10.2.4 Resistance to ultra-violet (UV) radiation			
			Meets the product standard's requirements.
10.2.5 Lifting			
			Does not apply, since the entire switchgear needs to be evaluated.
10.2.6 Mechanical impact			
			Does not apply, since the entire switchgear needs to be evaluated.
10.2.7 Inscriptions			
			Meets the product standard's requirements.
10.3 Degree of protection of ASSEMBLIES			
			Does not apply, since the entire switchgear needs to be evaluated.
10.4 Clearances and creepage distances			
			Meets the product standard's requirements.
10.5 Protection against electric shock			
			Does not apply, since the entire switchgear needs to be evaluated.
10.6 Incorporation of switching devices and components			
			Does not apply, since the entire switchgear needs to be evaluated.
10.7 Internal electrical circuits and connections			
			Is the panel builder's responsibility.
10.8 Connections for external conductors			
			Is the panel builder's responsibility.
10.9 Insulation properties			
10.9.2 Power-frequency electric strength			
			Is the panel builder's responsibility.
10.9.3 Impulse withstand voltage			
			Is the panel builder's responsibility.
10.9.4 Testing of enclosures made of insulating material			
			Is the panel builder's responsibility.
10.10 Temperature rise			
			The panel builder is responsible for the temperature rise calculation. Eaton will provide heat dissipation data for the devices.
10.11 Short-circuit rating			
			Is the panel builder's responsibility. The specifications for the switchgear must be observed.
10.12 Electromagnetic compatibility			
			Is the panel builder's responsibility. The specifications for the switchgear must be observed.
10.13 Mechanical function			
			The device meets the requirements, provided the information in the instruction leaflet (IL) is observed.

Technical data ETIM 7.0

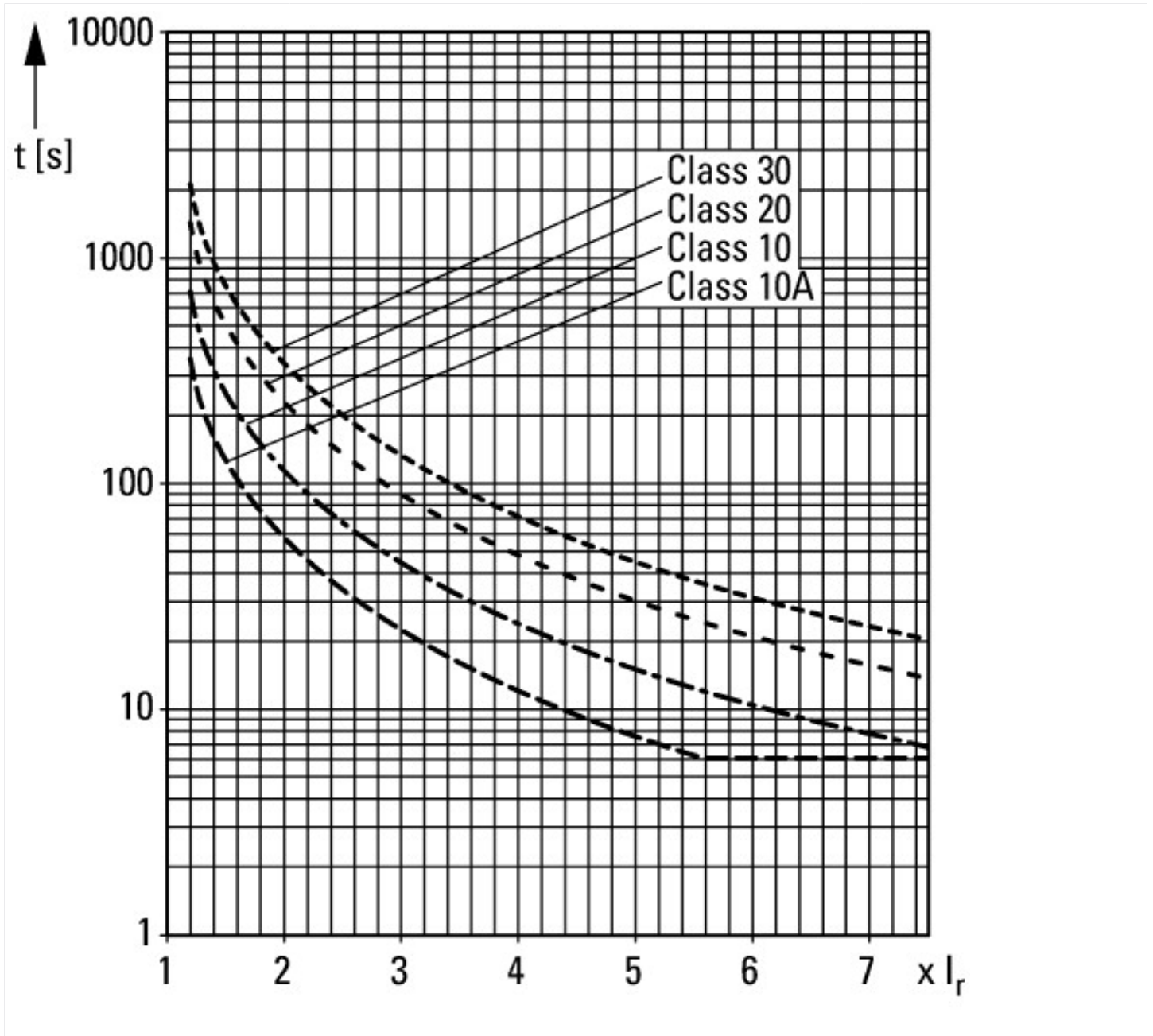
Low-voltage industrial components (EG000017) / Electronic overload relay (EC001080)			
Electric engineering, automation, process control engineering / Low-voltage switch technology / Overload protection device / Electronic overload relay (ecl@ss10.0.1-27-37-15-02 [AKF076014])			
Adjustable current range		A	0.33 - 1.65
Mounting method			Separate positioning
Type of electrical connection of main circuit			Screw connection
Number of auxiliary contacts as normally closed contact			1
Number of auxiliary contacts as normally open contact			1
Number of auxiliary contacts as change-over contact			0
Rated control supply voltage U_s at AC 50HZ		V	0 - 0
Rated control supply voltage U_s at AC 60HZ		V	0 - 0
Rated control supply voltage U_s at DC		V	0 - 0

Release class		Adjustable
Voltage type for actuating		Self powered
Reset function automatic		Yes
Reset function input		No
Reset function push-button		Yes

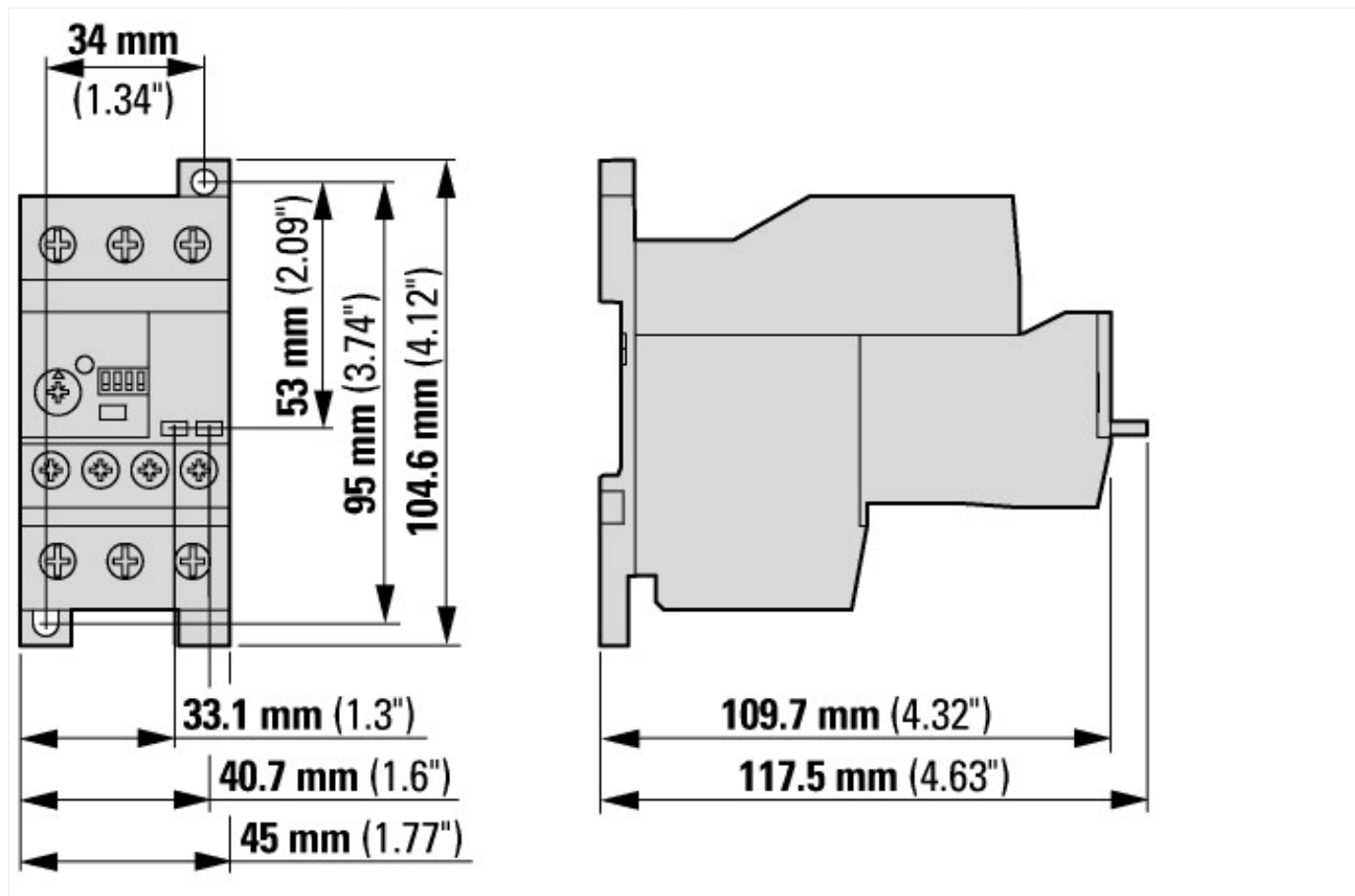
Approvals

Product Standards		UL 508; CSA-C22.2 No. 14; IEC/EN 60947-4-1; CE marking
UL File No.		E1230
UL Category Control No.		NKCR
CSA File No.		2290956
CSA Class No.		3211-03
North America Certification		UL listed, CSA certified
Specially designed for North America		No
Suitable for		Branch circuits
Max. Voltage Rating		600 V AC
Degree of Protection		IEC: IP20, UL/CSA Type: -

Characteristics



Dimensions



Assets (links)

Instruction Leaflets

IL04210002E2018_08

Additional product information (links)

IL04210002E Solid-state motor protection relay

IL04210002E Solid-state motor protection relay ftp://ftp.moeller.net/DOCUMENTATION/AWA_INSTRUCTIONS/IL04210002E2018_08.pdf