



I/O expansion, 24 V DC, 1DI, 2AI-(Pt100/V/mA), 2DO-Trans, 1AO, easyLink



Part no. EASY406-DC-ME
Catalog No. 114295

EL-Nummer (Norway) 4560804

Delivery program

Product range			Control relay easyRelay Multi-function-display MFD-Titan
Product range			Remote I/O systems Compact PLCs
Subrange			I/O expansions analog
Basic function			Expansions
Description			Can be used through easyLink
Function			Expansions EASY...
Accessories			I/O expansions, analog
Inputs			
Inputs expansion (number)			digital: 1; analog: 2 (0-10V:2 or 0-20mA:2 or Pt100:2)
Analog			2
Outputs			
Transistor			2
Supply voltage			24 V DC

Technical data

General

Dimensions (W x H x D)		mm	71.5 x 90 x 58 (4 PE)
Weight		kg	0.2

Climatic environmental conditions

Operating ambient temperature		°C	-25 to +55 cold as per IEC 60068-2-1 heat as per IEC 60068-2-2
Condensation			Take appropriate measures to prevent condensation
Storage	θ	°C	-40 - +70
relative humidity		%	5 - 95
Air pressure (operation)		hPa	795 - 1080

Ambient conditions, mechanical

Protection type (IEC/EN 60529, EN50178, VBG 4)			IP20
Vibrations (IEC/EN 60068-2-6)		Hz	
Constant amplitude 0.15 mm		Hz	10 - 57
Constant acceleration 2 g		Hz	57 - 150
Mechanical shock resistance (IEC/EN 60068-2-27) semi-sinusoidal 15 g/11 ms		Impacts	18
Drop to IEC/EN 60068-2-31	Drop height	mm	50
Free fall, packaged (IEC/EN 60068-2-32)		m	1
Mounting position			Vertical or horizontal

Electromagnetic compatibility (EMC)

Overvoltage category/pollution degree			II/2
Electrostatic discharge (ESD)			
applied standard			IEC EN 61000-4-2, Level 3
Air discharge		kV	8
Contact discharge		kV	6
Burst		kV	according to IEC/EN 61000-4-4 Supply cables: 2 Signal cables: 2
power pulses (Surge)			2 kV (supply cables, symmetrical, EASY...AC) 0.5 kV (supply cables, symmetrical, easy-DC) according to IEC/EN 61000-4-5
Immunity to line-conducted interference to (IEC/EN 61000-4-6)		V	10

Insulation resistance

Insulation resistance			EN 50178
-----------------------	--	--	----------

Power supply

Rated operational voltage	U_e	V	24 DC (-15/+20%)
Rated operational voltage	U_e	V	24 DC (-15/+20%)
Permissible range	U_e		20.4 - 28.8 V DC
Input current			40 mA at U_e 2 A at U_e with load
Heat dissipation	P		1 W

Analog inputs

Number			2
Potential isolation			to interface/memory card: no
Input type			DC voltage
Signal range			0 - 10 V DC or 0 - 20 mA or Pt100 (-50...+200°C)
Resolution			10 Bit (value 0 - 1023)
Input impedance		k Ω	11.2
Accuracy of actual value			
two devices from series		%	± 3
Within a single device		%	$< \pm 3$ %
Conversion time, analog/digital		ms	800
Input current		mA	< 1
Cable length		m	≤ 10 , screened

Analog outputs

Number			1
Potential isolation			to easyLink: yes
Output type			DC voltage
Signal range			0-10 V DC
Max. output current		A	0.01
Load resistance			1 k Ω
Overload and short-circuit protection			Yes
Resolution			0.01 V analog 10 Bit (value 0 - 1023) digital
Accuracy			
-25 °C - 55 °C		%	2
25°C		%	1
Conversion time, analog/digital		ms	200

Transistor outputs

Number			2
Rated operational voltage	U_e	V DC	24
Permissible range	U_e		20.4 - 28.8 V DC
Residual ripple		%	5
Supply current		mA	Norm./max. 24V/2A at signal 0 12/22 at signal 1
Protection against polarity reversal			yes (Caution: A short circuit will result if 0 V or earth is applied to the outputs in the event that the supply voltage is connected to the wrong poles.)
Potential isolation			to the memory card: yes
Rated operational current at signal „1“ DC per channel	I_e	A	1
Lamp load without R_v per channel		W	5
Residual current on 0 signal per channel		mA	< 0.1
Max. output voltage		V	2.5 (signal 0 at external load < 10 M Ω) $U = U_e - 1$ V (signal 1 at $I_e = 0.5$ A)
Short-circuit protection			Yes, thermal (evaluation through diagnostics input R16)
Short-circuit tripping current for $R_a \leq 10$ m Ω		A	$1.4 \leq I_e \leq 4$
Total short-circuit current		A	8
Peak short-circuit current		A	16
Thermal cutout			Yes
Max. operating frequency with constant resistive load		Operation h	40000

Parallel connection of outputs			
With resistive load, inductive load with external suppressor circuit, combination within a group			Q1 and Q2
Number of outputs	max.		2
Max. total current		A	2 (Caution! Outputs must be actuated simultaneously and for the same length of time.)
Output status indication			LCD display (if provided)
Supply voltage U_{Aux}			
Protection against polarity reversal			yes (Caution: A short circuit will result if 0 V or earth is applied to the outputs in the event that the supply voltage is connected to the wrong poles.)

Design verification as per IEC/EN 61439

Technical data for design verification			
Rated operational current for specified heat dissipation	I_n	A	0
Heat dissipation per pole, current-dependent	P_{vid}	W	0
Equipment heat dissipation, current-dependent	P_{vid}	W	0
Static heat dissipation, non-current-dependent	P_{vs}	W	1
Heat dissipation capacity	P_{diss}	W	0
Operating ambient temperature min.		°C	-25
Operating ambient temperature max.		°C	55
IEC/EN 61439 design verification			
10.2 Strength of materials and parts			
10.2.2 Corrosion resistance			Meets the product standard's requirements.
10.2.3.1 Verification of thermal stability of enclosures			Meets the product standard's requirements.
10.2.3.2 Verification of resistance of insulating materials to normal heat			Meets the product standard's requirements.
10.2.3.3 Verification of resistance of insulating materials to abnormal heat and fire due to internal electric effects			Meets the product standard's requirements.
10.2.4 Resistance to ultra-violet (UV) radiation			Meets the product standard's requirements.
10.2.5 Lifting			Does not apply, since the entire switchgear needs to be evaluated.
10.2.6 Mechanical impact			Does not apply, since the entire switchgear needs to be evaluated.
10.2.7 Inscriptions			Meets the product standard's requirements.
10.3 Degree of protection of ASSEMBLIES			Meets the product standard's requirements.
10.4 Clearances and creepage distances			Meets the product standard's requirements.
10.5 Protection against electric shock			Does not apply, since the entire switchgear needs to be evaluated.
10.6 Incorporation of switching devices and components			Does not apply, since the entire switchgear needs to be evaluated.
10.7 Internal electrical circuits and connections			Is the panel builder's responsibility.
10.8 Connections for external conductors			Is the panel builder's responsibility.
10.9 Insulation properties			
10.9.2 Power-frequency electric strength			Is the panel builder's responsibility.
10.9.3 Impulse withstand voltage			Is the panel builder's responsibility.
10.9.4 Testing of enclosures made of insulating material			Is the panel builder's responsibility.
10.10 Temperature rise			The panel builder is responsible for the temperature rise calculation. Eaton will provide heat dissipation data for the devices.
10.11 Short-circuit rating			Is the panel builder's responsibility.
10.12 Electromagnetic compatibility			Is the panel builder's responsibility.
10.13 Mechanical function			The device meets the requirements, provided the information in the instruction leaflet (IL) is observed.

Technical data ETIM 7.0

PLC's (EG000024) / Logic module (EC001417)			
Electric engineering, automation, process control engineering / Control / Programmable logic control (SPS) / Logic module (ecl@ss10.0.1-27-24-22-16 [AKE539014])			
Supply voltage AC 50 Hz		V	0 - 0
Supply voltage AC 60 Hz		V	0 - 0
Supply voltage DC		V	20.4 - 28.8
Voltage type of supply voltage			DC
Switching current		A	0.5
Number of analogue inputs			2

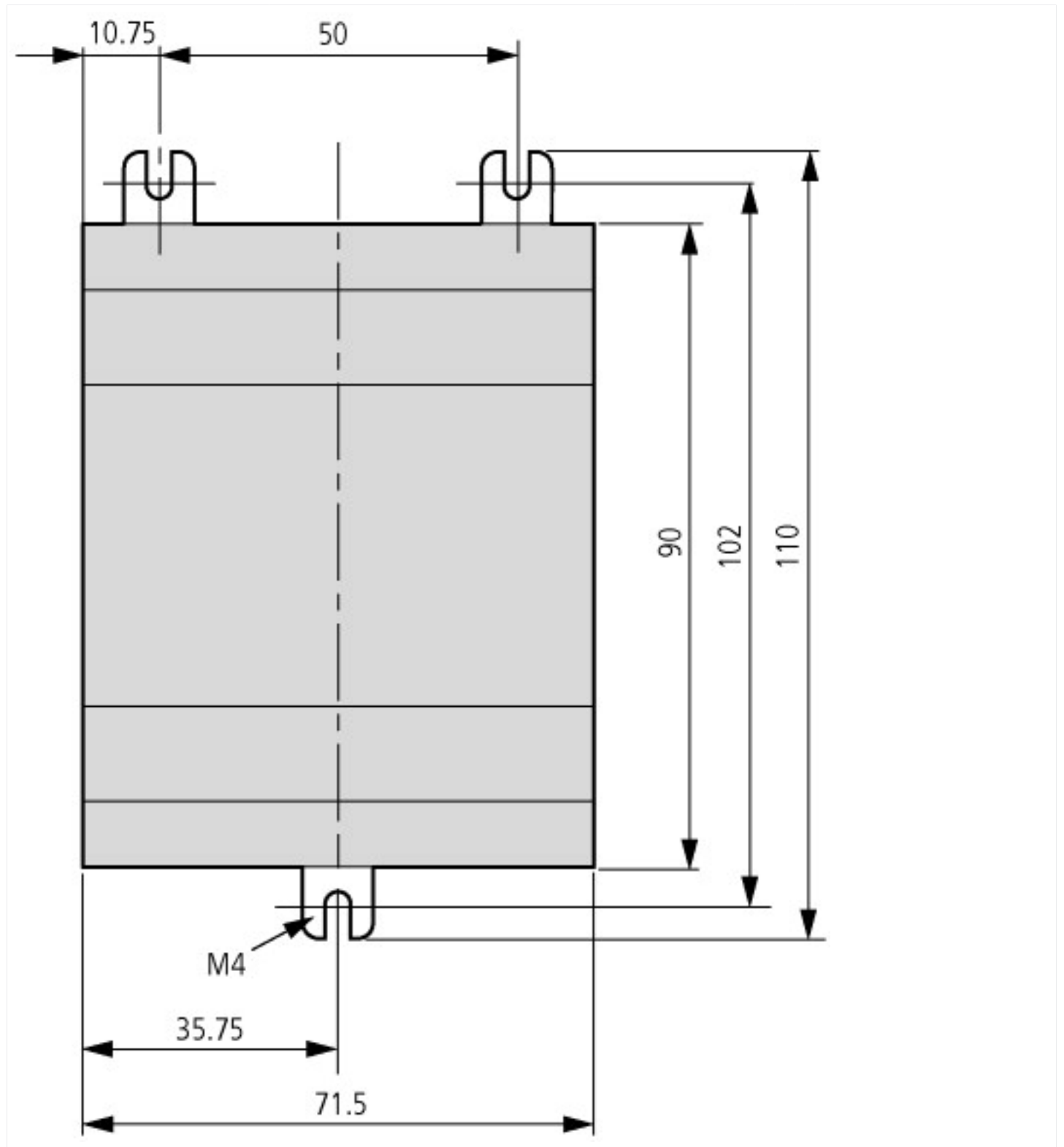
Number of analogue outputs			1
Number of digital inputs			1
Number of digital outputs			3
With relay output			No
Number of HW-interfaces industrial Ethernet			0
Number of interfaces PROFINET			0
Number of HW-interfaces RS-232			0
Number of HW-interfaces RS-422			0
Number of HW-interfaces RS-485			0
Number of HW-interfaces serial TTY			0
Number of HW-interfaces USB			0
Number of HW-interfaces parallel			0
Number of HW-interfaces Wireless			0
Number of HW-interfaces other			1
With optical interface			No
Supporting protocol for TCP/IP			No
Supporting protocol for PROFIBUS			No
Supporting protocol for CAN			No
Supporting protocol for INTERBUS			No
Supporting protocol for ASI			No
Supporting protocol for KNX			No
Supporting protocol for MODBUS			No
Supporting protocol for Data-Highway			No
Supporting protocol for DeviceNet			No
Supporting protocol for SUCONET			No
Supporting protocol for LON			No
Supporting protocol for PROFINET IO			No
Supporting protocol for PROFINET CBA			No
Supporting protocol for SERCOS			No
Supporting protocol for Foundation Fieldbus			No
Supporting protocol for EtherNet/IP			No
Supporting protocol for AS-Interface Safety at Work			No
Supporting protocol for DeviceNet Safety			No
Supporting protocol for INTERBUS-Safety			No
Supporting protocol for PROFIsafe			No
Supporting protocol for SafetyBUS p			No
Supporting protocol for other bus systems			No
Radio standard Bluetooth			No
Radio standard WLAN 802.11			No
Radio standard GPRS			No
Radio standard GSM			No
Radio standard UMTS			No
IO link master			No
Redundancy			No
With display			No
Degree of protection (IP)			IP20
Basic device			No
Expandable			No
Expansion device			Yes
With timer			No
Rail mounting possible			Yes
Wall mounting/direct mounting			Yes
Front build in possible			No
Rack-assembly possible			No
Suitable for safety functions			No

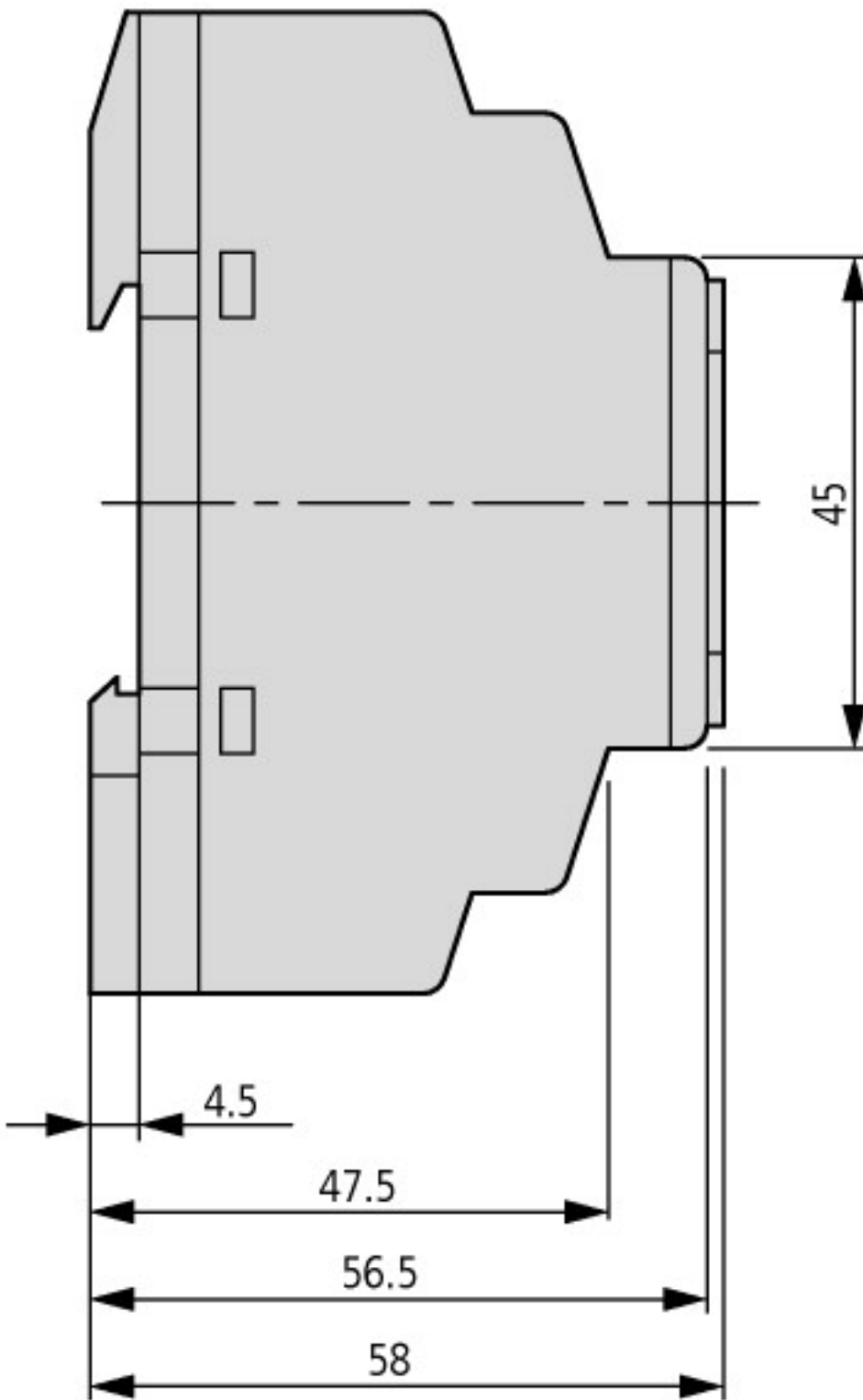
Category according to EN 954-1			None
SIL according to IEC 61508			None
Performance level acc. EN ISO 13849-1			None
Appendant operation agent (Ex ia)			No
Appendant operation agent (Ex ib)			No
Explosion safety category for gas			None
Explosion safety category for dust			None
Width		mm	71.5
Height		mm	90
Depth		mm	58

Approvals

Product Standards			IEC/EN see Technical Data; UL 508; CSA C22.2 No. 142-M1987; CSA C22.2 No. 213-M1987; CE marking
UL File No.			E135462
UL Category Control No.			NRAQ, NRAQ7
CSA File No.			165628
CSA Class No.			2252-01 + 2258-02
North America Certification			Request filed for UL and CSA
Degree of Protection			IEC: IP20, UL/CSA Type: -

Dimensions





Assets (links)

Declaration of CE Conformity

00002536

Instruction Leaflets

IL05013022Z2018_02

Additional product information (links)

IL05013022Z (AWA2525-2477) analog I/O expansion devices for easy800, EC4P, MFD-CP8, EC4E

IL05013022Z (AWA2525-2477) analog I/O expansion devices for easy800, EC4P, MFD-CP8, EC4E

ftp://ftp.moeller.net/DOCUMENTATION/AWA_INSTRUCTIONS/IL05013022Z2018_02.pdf