




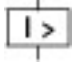
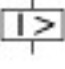
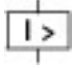
Circuit-breaker, 3p, 63A, plug-in module

Part no. **NZMB1-A63-SVE**  
 Catalog No. **112705**

EL-Nummer (Norway) **0004357002**

Similar to illustration

## Delivery program

|                                                                                     |                          |    |                             |
|-------------------------------------------------------------------------------------|--------------------------|----|-----------------------------|
| Product range                                                                       |                          |    | Circuit-breaker             |
| Protective function                                                                 |                          |    | System and cable protection |
| Standard/Approval                                                                   |                          |    | IEC                         |
| Installation type                                                                   |                          |    | Plug-in units               |
| Release system                                                                      |                          |    | Thermomagnetic release      |
| Construction size                                                                   |                          |    | NZM1                        |
| Number of poles                                                                     |                          |    | 3 pole                      |
| Standard equipment                                                                  |                          |    | Box terminal                |
| <b>Switching capacity</b>                                                           |                          |    |                             |
| 400/415 V 50 Hz                                                                     | $I_{cu}$                 | kA | 25                          |
| <b>Rated current = rated uninterrupted current</b>                                  |                          |    |                             |
| Rated current = rated uninterrupted current                                         | $I_n = I_u$              | A  | 63                          |
| <b>Setting range</b>                                                                |                          |    |                             |
| Overload trip                                                                       |                          |    |                             |
|  | $I_r$                    | A  | 50 - 63                     |
| Short-circuit releases                                                              |                          |    |                             |
|  |                          |    |                             |
| Non-delayed                                                                         | $I_i = I_n \times \dots$ |    | 6 - 10                      |
|  |                          |    |                             |
| Short-circuit releases                                                              | $I_{rm}$                 | A  | 380 - 630                   |
|  |                          |    |                             |

## Technical data

### General

|                                                                                       |  |      |                                                                                |
|---------------------------------------------------------------------------------------|--|------|--------------------------------------------------------------------------------|
| Standards                                                                             |  |      | IEC/EN 60947                                                                   |
| Protection against direct contact                                                     |  |      | Finger and back of hand proof to VDE 0106 Part 100                             |
| Climatic proofing                                                                     |  |      | Damp heat, constant, to IEC 60068-2-78<br>Damp heat, cyclic, to IEC 60068-2-30 |
| Ambient temperature                                                                   |  |      |                                                                                |
| Ambient temperature, storage                                                          |  | °C   | - 40 - + 70                                                                    |
| Operation                                                                             |  | °C   | -25 - +70                                                                      |
| Mechanical shock resistance (10 ms half-sinusoidal shock) according to IEC 60068-2-27 |  | g    | 20 (half-sinusoidal shock 20 ms)                                               |
| Safe isolation to EN 61140                                                            |  |      |                                                                                |
| Between auxiliary contacts and main contacts                                          |  | V AC | 500                                                                            |
| between the auxiliary contacts                                                        |  | V AC | 300                                                                            |
| Mounting position                                                                     |  |      | Vertical and 90° in all directions                                             |



With XFI earth-fault release:  
 - NZM1, N1, NZM2, N2: vertical and 90° in all directions  
 with plug-in unit  
 - NZM1, N1, NZM2, N2: vertical, 90° right/left  
 with withdrawable unit:  
 - NZM3, N3: vertical, 90° right/left  
 - NZM4, N4: vertical  
 with remote operator:  
 - NZM2, N(S)2, NZM3, N(S)3, NZM4, N(S)4: vertical and 90° in all directions

|                                        |  |                                                                          |
|----------------------------------------|--|--------------------------------------------------------------------------|
| Direction of incoming supply           |  | as required                                                              |
| Degree of protection                   |  |                                                                          |
| Device                                 |  | In the operating controls area: IP20 (basic degree of protection)        |
| Enclosures                             |  | With insulating surround: IP40<br>With door coupling rotary handle: IP66 |
| Terminations                           |  | Tunnel terminal: IP10<br>Phase isolator and strip terminal: IP00         |
| Other technical data (sheet catalogue) |  | Temperature dependency, Derating                                         |

### Circuit-breakers

|                                             |             |      |       |
|---------------------------------------------|-------------|------|-------|
| Rated current = rated uninterrupted current | $I_n = I_u$ | A    | 63    |
| Rated surge voltage invariability           | $U_{imp}$   |      |       |
| Main contacts                               |             | V    | 6000  |
| Auxiliary contacts                          |             | V    | 6000  |
| Rated operational voltage                   | $U_e$       | V AC | 440   |
| Overtoltage category/pollution degree       |             |      | III/3 |
| Rated insulation voltage                    | $U_i$       | V    | 690   |
| Use in unearthed supply systems             |             | V    | ≤ 440 |

### Switching capacity

|                                                                              |            |       |       |
|------------------------------------------------------------------------------|------------|-------|-------|
| Rated short-circuit making capacity                                          | $I_{cm}$   |       |       |
| 240 V                                                                        | $I_{cm}$   | kA    | 63    |
| 400/415 V                                                                    | $I_{cm}$   | kA    | 53    |
| 440 V 50/60 Hz                                                               | $I_{cm}$   | kA    | 53    |
| Rated short-circuit breaking capacity $I_{cn}$                               | $I_{cn}$   |       |       |
| $I_{cu}$ to IEC/EN 60947 test cycle O-t-CO                                   | $I_{cu}$   | kA    |       |
| 240 V 50/60 Hz                                                               | $I_{cu}$   | kA    | 30    |
| 400/415 V 50/60 Hz                                                           | $I_{cu}$   | kA    | 25    |
| 440 V 50/60 Hz                                                               | $I_{cu}$   | kA    | 25    |
| $I_{cs}$ to IEC/EN 60947 test cycle O-t-CO-t-CO                              | $I_{cs}$   | kA    |       |
| 240 V 50/60 Hz                                                               | $I_{cs}$   | kA    | 30    |
| 400/415 V 50/60 Hz                                                           | $I_{cs}$   | kA    | 25    |
| 440 V 50/60 Hz                                                               | $I_{cs}$   | kA    | 18.5  |
| Utilization category to IEC/EN 60947-2                                       |            |       | A     |
| Lifespan, mechanical (of which max. 50 % trip by shunt/undervoltage release) | Operations |       | 20000 |
| Lifespan, electrical                                                         |            |       |       |
| AC-1                                                                         |            |       |       |
| 400 V 50/60 Hz                                                               | Operations |       | 7500  |
| 415 V 50/60 Hz                                                               | Operations |       | 7500  |
| Max. operating frequency                                                     |            | Ops/h | 120   |
| Total break time at short-circuit                                            |            | ms    | < 10  |

### Terminal capacity

|                        |  |                                                           |
|------------------------|--|-----------------------------------------------------------|
| Standard equipment     |  | Box terminal                                              |
| Accessories required   |  | NZM1-XSVS                                                 |
| Optional accessories   |  | Screw connection<br>Tunnel terminal<br>connection on rear |
| Round copper conductor |  |                                                           |
| Box terminal           |  |                                                           |

|                                                           |      |                 |                                                                                              |
|-----------------------------------------------------------|------|-----------------|----------------------------------------------------------------------------------------------|
| Solid                                                     |      | mm <sup>2</sup> | 1 x (10 - 16)<br>2 x (6 - 16)                                                                |
| Stranded                                                  |      | mm <sup>2</sup> | 1 x (10 - 70) <sup>3)</sup><br>2 x (6-25)                                                    |
|                                                           |      |                 | <sup>3)</sup> Up to 95 mm <sup>2</sup> can be connected depending on the cable manufacturer. |
| Tunnel terminal                                           |      |                 |                                                                                              |
| Solid                                                     |      | mm <sup>2</sup> | 1 x 16                                                                                       |
| Stranded                                                  |      |                 |                                                                                              |
| 1-hole                                                    |      | mm <sup>2</sup> | 1 x (25 - 95)                                                                                |
| Bolt terminal and rear-side connection                    |      |                 |                                                                                              |
| Direct on the switch                                      |      |                 |                                                                                              |
| Solid                                                     |      | mm <sup>2</sup> | 1 x (10 - 16)<br>2 x (6 - 16)                                                                |
| Stranded                                                  |      | mm <sup>2</sup> | 1 x (10 - 70) <sup>3)</sup><br>2 x 25                                                        |
|                                                           |      |                 | <sup>3)</sup> Up to 95 mm <sup>2</sup> can be connected depending on the cable manufacturer. |
| Al circular conductor                                     |      |                 |                                                                                              |
| Tunnel terminal                                           |      |                 |                                                                                              |
| Solid                                                     |      | mm <sup>2</sup> | 1 x 16                                                                                       |
| Stranded                                                  |      |                 |                                                                                              |
| Stranded                                                  |      | mm <sup>2</sup> | 1 x (25 - 95)                                                                                |
| Bolt terminal and rear-side connection                    |      |                 |                                                                                              |
| Direct on the switch                                      |      |                 |                                                                                              |
| Solid                                                     |      | mm <sup>2</sup> | 1 x (10 - 16)<br>2 x (10 - 16)                                                               |
| Stranded                                                  |      | mm <sup>2</sup> | 1 x (25 - 35)<br>2 x (25 - 35)                                                               |
| Cu strip (number of segments x width x segment thickness) |      |                 |                                                                                              |
| Box terminal                                              |      |                 |                                                                                              |
|                                                           | min. | mm              | 2 x 9 x 0.8                                                                                  |
|                                                           | max. | mm              | 9 x 9 x 0.8                                                                                  |
| Copper busbar (width x thickness)                         |      | mm              |                                                                                              |
| Bolt terminal and rear-side connection                    |      |                 |                                                                                              |
| Screw connection                                          |      |                 | M6                                                                                           |
| Direct on the switch                                      |      |                 |                                                                                              |
|                                                           | min. | mm              | 12 x 5                                                                                       |
|                                                           | max. | mm              | 16 x 5                                                                                       |
| Control cables                                            |      |                 |                                                                                              |
|                                                           |      | mm <sup>2</sup> | 1 x (0.75 - 2.5)<br>2 x (0.75 - 1.5)                                                         |

## Design verification as per IEC/EN 61439

|                                                                                                                        |                  |    |                                                                    |
|------------------------------------------------------------------------------------------------------------------------|------------------|----|--------------------------------------------------------------------|
| Technical data for design verification                                                                                 |                  |    |                                                                    |
| Rated operational current for specified heat dissipation                                                               | I <sub>n</sub>   | A  | 63                                                                 |
| Equipment heat dissipation, current-dependent                                                                          | P <sub>vid</sub> | W  | 14.17                                                              |
| Operating ambient temperature min.                                                                                     |                  | °C | -25                                                                |
| Operating ambient temperature max.                                                                                     |                  | °C | 70                                                                 |
| IEC/EN 61439 design verification                                                                                       |                  |    |                                                                    |
| 10.2 Strength of materials and parts                                                                                   |                  |    |                                                                    |
| 10.2.2 Corrosion resistance                                                                                            |                  |    |                                                                    |
| 10.2.3.1 Verification of thermal stability of enclosures                                                               |                  |    | Meets the product standard's requirements.                         |
| 10.2.3.2 Verification of resistance of insulating materials to normal heat                                             |                  |    | Meets the product standard's requirements.                         |
| 10.2.3.3 Verification of resistance of insulating materials to abnormal heat and fire due to internal electric effects |                  |    | Meets the product standard's requirements.                         |
| 10.2.4 Resistance to ultra-violet (UV) radiation                                                                       |                  |    | Meets the product standard's requirements.                         |
| 10.2.5 Lifting                                                                                                         |                  |    | Does not apply, since the entire switchgear needs to be evaluated. |
| 10.2.6 Mechanical impact                                                                                               |                  |    | Does not apply, since the entire switchgear needs to be evaluated. |

|                                                          |  |                                                                                                                                  |
|----------------------------------------------------------|--|----------------------------------------------------------------------------------------------------------------------------------|
| 10.2.7 Inscriptions                                      |  | Meets the product standard's requirements.                                                                                       |
| 10.3 Degree of protection of ASSEMBLIES                  |  | Does not apply, since the entire switchgear needs to be evaluated.                                                               |
| 10.4 Clearances and creepage distances                   |  | Meets the product standard's requirements.                                                                                       |
| 10.5 Protection against electric shock                   |  | Does not apply, since the entire switchgear needs to be evaluated.                                                               |
| 10.6 Incorporation of switching devices and components   |  | Does not apply, since the entire switchgear needs to be evaluated.                                                               |
| 10.7 Internal electrical circuits and connections        |  | Is the panel builder's responsibility.                                                                                           |
| 10.8 Connections for external conductors                 |  | Is the panel builder's responsibility.                                                                                           |
| 10.9 Insulation properties                               |  |                                                                                                                                  |
| 10.9.2 Power-frequency electric strength                 |  | Is the panel builder's responsibility.                                                                                           |
| 10.9.3 Impulse withstand voltage                         |  | Is the panel builder's responsibility.                                                                                           |
| 10.9.4 Testing of enclosures made of insulating material |  | Is the panel builder's responsibility.                                                                                           |
| 10.10 Temperature rise                                   |  | The panel builder is responsible for the temperature rise calculation. Eaton will provide heat dissipation data for the devices. |
| 10.11 Short-circuit rating                               |  | Is the panel builder's responsibility. The specifications for the switchgear must be observed.                                   |
| 10.12 Electromagnetic compatibility                      |  | Is the panel builder's responsibility. The specifications for the switchgear must be observed.                                   |
| 10.13 Mechanical function                                |  | The device meets the requirements, provided the information in the instruction leaflet (IL) is observed.                         |

## Technical data ETIM 7.0

|                                                                                                                                                                                                                                             |    |                                   |
|---------------------------------------------------------------------------------------------------------------------------------------------------------------------------------------------------------------------------------------------|----|-----------------------------------|
| Low-voltage industrial components (EG000017) / Power circuit-breaker for trafo/generator/installation protection (EC000228)                                                                                                                 |    |                                   |
| Electric engineering, automation, process control engineering / Low-voltage switch technology / Circuit breaker (LV < 1 kV) / Circuit breaker for power transformer, generator and system protection (ecl@ss10.0.1-27-37-04-09 [AJZ716013]) |    |                                   |
| Rated permanent current I <sub>u</sub>                                                                                                                                                                                                      | A  | 63                                |
| Rated voltage                                                                                                                                                                                                                               | V  | 440 - 440                         |
| Rated short-circuit breaking capacity I <sub>cu</sub> at 400 V, 50 Hz                                                                                                                                                                       | kA | 25                                |
| Overload release current setting                                                                                                                                                                                                            | A  | 50 - 63                           |
| Adjustment range short-term delayed short-circuit release                                                                                                                                                                                   | A  | 0 - 0                             |
| Adjustment range undelayed short-circuit release                                                                                                                                                                                            | A  | 380 - 630                         |
| Integrated earth fault protection                                                                                                                                                                                                           |    | No                                |
| Type of electrical connection of main circuit                                                                                                                                                                                               |    | Frame clamp                       |
| Device construction                                                                                                                                                                                                                         |    | Built-in device plug-in technique |
| Suitable for DIN rail (top hat rail) mounting                                                                                                                                                                                               |    | No                                |
| DIN rail (top hat rail) mounting optional                                                                                                                                                                                                   |    | Yes                               |
| Number of auxiliary contacts as normally closed contact                                                                                                                                                                                     |    | 0                                 |
| Number of auxiliary contacts as normally open contact                                                                                                                                                                                       |    | 0                                 |
| Number of auxiliary contacts as change-over contact                                                                                                                                                                                         |    | 0                                 |
| With switched-off indicator                                                                                                                                                                                                                 |    | No                                |
| With under voltage release                                                                                                                                                                                                                  |    | No                                |
| Number of poles                                                                                                                                                                                                                             |    | 3                                 |
| Position of connection for main current circuit                                                                                                                                                                                             |    | Front side                        |
| Type of control element                                                                                                                                                                                                                     |    | Rocker lever                      |
| Complete device with protection unit                                                                                                                                                                                                        |    | Yes                               |
| Motor drive integrated                                                                                                                                                                                                                      |    | No                                |
| Motor drive optional                                                                                                                                                                                                                        |    | No                                |
| Degree of protection (IP)                                                                                                                                                                                                                   |    | IP20                              |

## Characteristics



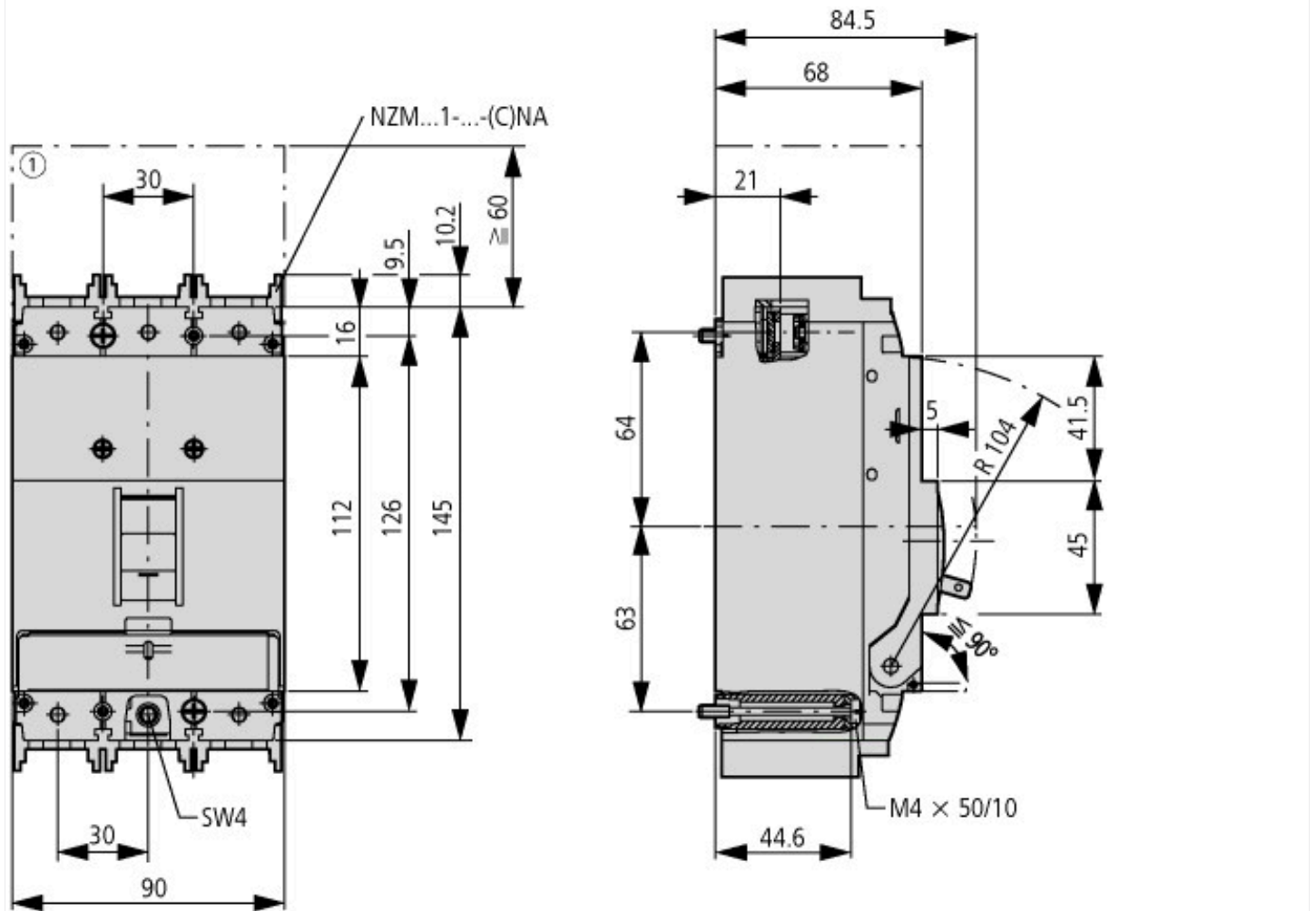


Let-through current



Let-through energy

## Dimensions



① Blow out area, minimum clearance to adjacent parts



## Additional product information (links)

**IL01203004Z (AWA1230-1913) Circuit-breaker, Switch-Disconnecter**

IL01203004Z (AWA1230-1913) Circuit-breaker, Switch-Disconnecter [ftp://ftp.moeller.net/DOCUMENTATION/AWA\\_INSTRUCTIONS/IL01203004Z2015\\_11.pdf](ftp://ftp.moeller.net/DOCUMENTATION/AWA_INSTRUCTIONS/IL01203004Z2015_11.pdf)

**IL01219023Z (AWA1230-2052) Plug-in adapter**

IL01219023Z (AWA1230-2052) Plug-in adapter [ftp://ftp.moeller.net/DOCUMENTATION/AWA\\_INSTRUCTIONS/IL01219023Z2016\\_02.pdf](ftp://ftp.moeller.net/DOCUMENTATION/AWA_INSTRUCTIONS/IL01219023Z2016_02.pdf)



|                                                       |                                                                                                                                                                                                                                         |
|-------------------------------------------------------|-----------------------------------------------------------------------------------------------------------------------------------------------------------------------------------------------------------------------------------------|
| Temperature dependency, Derating                      | <a href="http://ecat.moeller.net/flip-cat/?edition=HPLEN&amp;startpage=17.172">http://ecat.moeller.net/flip-cat/?edition=HPLEN&amp;startpage=17.172</a>                                                                                 |
| CurveSelect characteristics program                   | <a href="http://www.eaton.eu/DE/Europe/Electrical/CustomerSupport/ConfigurationTools/CharacteristicsProgram/index.htm">http://www.eaton.eu/DE/Europe/Electrical/CustomerSupport/ConfigurationTools/CharacteristicsProgram/index.htm</a> |
| additional technical information for NZM power switch | <a href="ftp://ftp.moeller.net/DOCUMENTATION/PDF/nzm_technic_de_en.pdf">ftp://ftp.moeller.net/DOCUMENTATION/PDF/nzm_technic_de_en.pdf</a>                                                                                               |