

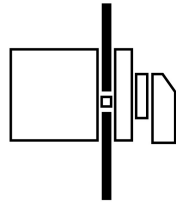


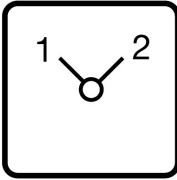
**Changeoverswitches, T5, 100 A, flush mounting, 7 contact unit(s),  
Contacts: 14, 90 °, maintained, Without 0 (Off) position, 1-2, Design  
number 8371**

**Part no. T5-7-8371/E**  
**Catalog No. 094655**

Similar to illustration

### Delivery program

Product range		Control switches																																																																																							
Part group reference		T5																																																																																							
Basic function		Changeoverswitches with black thumb grip and front plate																																																																																							
Contacts		14																																																																																							
Degree of Protection		Front IP65																																																																																							
Design		flush mounting																																																																																							
																																																																																									
Contact sequence		<table border="1" style="border-collapse: collapse; text-align: center;"> <thead> <tr> <th></th> <th>1</th> <th>2</th> </tr> </thead> <tbody> <tr><td>1</td><td>o</td><td>X</td></tr> <tr><td>2</td><td>o</td><td>X</td></tr> <tr><td>3</td><td>o</td><td>X</td></tr> <tr><td>4</td><td>o</td><td>X</td></tr> <tr><td>5</td><td>o</td><td>X</td></tr> <tr><td>6</td><td>o</td><td>X</td></tr> <tr><td>7</td><td>o</td><td>X</td></tr> <tr><td>8</td><td>o</td><td>X</td></tr> <tr><td>9</td><td>o</td><td>X</td></tr> <tr><td>10</td><td>o</td><td>X</td></tr> <tr><td>11</td><td>o</td><td>X</td></tr> <tr><td>12</td><td>o</td><td>X</td></tr> <tr><td>13</td><td>o</td><td>X</td></tr> <tr><td>14</td><td>o</td><td>X</td></tr> <tr><td>15</td><td>o</td><td>X</td></tr> <tr><td>16</td><td>o</td><td>X</td></tr> <tr><td>17</td><td>o</td><td>X</td></tr> <tr><td>18</td><td>o</td><td>X</td></tr> <tr><td>19</td><td>o</td><td>X</td></tr> <tr><td>20</td><td>o</td><td>X</td></tr> <tr><td>21</td><td>o</td><td>X</td></tr> <tr><td>22</td><td>o</td><td>X</td></tr> <tr><td>23</td><td>o</td><td>X</td></tr> <tr><td>24</td><td>o</td><td>X</td></tr> <tr><td>25</td><td>o</td><td>X</td></tr> <tr><td>26</td><td>o</td><td>X</td></tr> <tr><td>27</td><td>o</td><td>X</td></tr> <tr><td>28</td><td>o</td><td>X</td></tr> </tbody> </table>		1	2	1	o	X	2	o	X	3	o	X	4	o	X	5	o	X	6	o	X	7	o	X	8	o	X	9	o	X	10	o	X	11	o	X	12	o	X	13	o	X	14	o	X	15	o	X	16	o	X	17	o	X	18	o	X	19	o	X	20	o	X	21	o	X	22	o	X	23	o	X	24	o	X	25	o	X	26	o	X	27	o	X	28	o	X
	1	2																																																																																							
1	o	X																																																																																							
2	o	X																																																																																							
3	o	X																																																																																							
4	o	X																																																																																							
5	o	X																																																																																							
6	o	X																																																																																							
7	o	X																																																																																							
8	o	X																																																																																							
9	o	X																																																																																							
10	o	X																																																																																							
11	o	X																																																																																							
12	o	X																																																																																							
13	o	X																																																																																							
14	o	X																																																																																							
15	o	X																																																																																							
16	o	X																																																																																							
17	o	X																																																																																							
18	o	X																																																																																							
19	o	X																																																																																							
20	o	X																																																																																							
21	o	X																																																																																							
22	o	X																																																																																							
23	o	X																																																																																							
24	o	X																																																																																							
25	o	X																																																																																							
26	o	X																																																																																							
27	o	X																																																																																							
28	o	X																																																																																							
Switching angle	°	90																																																																																							
Switching performance		maintained Without 0 (Off) position																																																																																							
Design number		8371																																																																																							

Front plate no.				
				<b>FS 943</b>
front plate				1-2
<b>Motor rating AC-23A, 50 - 60 Hz</b>				
400 V	P	kW		55
Rated uninterrupted current	$I_u$	A		100
Note on rated uninterrupted current $I_u$				Rated uninterrupted current $I_u$ is specified for max. cross-section.
Number of contact units		contact unit(s)		7

## Technical data

### General

Standards				IEC/EN 60947, VDE 0660, IEC/EN 60204 Switch-disconnector according to IEC/EN 60947-3
Climatic proofing				Damp heat, constant, to IEC 60068-2-78 Damp heat, cyclic, to IEC 60068-2-30
Ambient temperature				
Open		°C		-25 - +50
Enclosed		°C		-25 - +40
Overvoltage category/pollution degree				III/3
Rated impulse withstand voltage	$U_{imp}$	V AC		6000
Mechanical shock resistance		g		15
Mounting position				As required

### Contacts

Electrical characteristics				
Rated operational voltage	$U_e$	V AC		690
Rated uninterrupted current	$I_u$	A		100
Note on rated uninterrupted current $I_u$				Rated uninterrupted current $I_u$ is specified for max. cross-section.
Load rating with intermittent operation, class 12				
AB 25 % DF		$\times I_e$		2
AB 40 % DF		$\times I_e$		1.6
AB 60 % DF		$\times I_e$		1.3
Short-circuit rating				
Fuse		A gG/gL		100
Rated short-time withstand current (1 s current)	$I_{cw}$	$A_{rms}$		1700
Note on rated short-time withstand current $I_{cw}$				Current for a time of 1 second
Rated conditional short-circuit current	$I_q$	kA		2

### Switching capacity

$\cos \varphi$ rated making capacity as per IEC 60947-3		A		950
Rated breaking capacity $\cos \varphi$ to IEC 60947-3		A		
230 V		A		760
400/415 V		A		740
500 V		A		590
690 V		A		420
Safe isolation to EN 61140				
between the contacts		V AC		440
Current heat loss per contact at $I_e$		W		7.5
Current heat loss per auxiliary circuit at $I_e$ (AC-15/230 V)		CO		7.5
Lifespan, mechanical	Operations	$\times 10^6$		> 0.5
Maximum operating frequency	Operations/h			1200

AC			
AC-3			
Rating, motor load switch	P	kW	
220 V 230 V	P	kW	22
230 V Star-delta	P	kW	30
400 V 415 V	P	kW	30
400 V Star-delta	P	kW	45
500 V	P	kW	30
500 V Star-delta	P	kW	45
690 V	P	kW	15
690 V Star-delta	P	kW	22
Rated operational current motor load switch			
230 V	I <sub>e</sub>	A	71
230 V star-delta	I <sub>e</sub>	A	100
400V 415 V	I <sub>e</sub>	A	55
400 V star-delta	I <sub>e</sub>	A	95.3
500 V	I <sub>e</sub>	A	44
500 V star-delta	I <sub>e</sub>	A	76.2
690 V	I <sub>e</sub>	A	17
690 V star-delta	I <sub>e</sub>	A	29.4
AC-21A			
Rated operational current switch			
440 V	I <sub>e</sub>	A	100
AC-23A			
Motor rating AC-23A, 50 - 60 Hz			
230 V	P	kW	30
400 V 415 V	P	kW	55
500 V	P	kW	37
690 V	P	kW	30
Rated operational current motor load switch			
230 V	I <sub>e</sub>	A	100
400 V 415 V	I <sub>e</sub>	A	100
500 V	I <sub>e</sub>	A	55
690 V	I <sub>e</sub>	A	32
DC			
DC-1, Load-break switches L/R = 1 ms			
Rated operational current	I <sub>e</sub>	A	80
Voltage per contact pair in series		V	60
Control circuit reliability at 24 V DC, 10 mA	Fault probability	H <sub>F</sub>	< 10 <sup>-5</sup> , < 1 failure in 100,000 switching operations

### Terminal capacities

Solid or stranded		mm <sup>2</sup>	1 x (2,5 - 35) 2 x (2,5 - 16)
Flexible with ferrules to DIN 46228		mm <sup>2</sup>	1 x (1 - 25) 2 x (1.5 - 10)
Terminal screw			M6
Tightening torque for terminal screw		Nm	4

### Technical safety parameters:

Notes			B10 <sub>d</sub> values as per EN ISO 13849-1, table C1
-------	--	--	---

### Rating data for approved types

Contacts			
Rated operational voltage	U <sub>e</sub>	V AC	600
Rated uninterrupted current max.			
Main conducting paths			
General use		A	65
Terminal capacity			

Terminal screw		M6
----------------	--	----

## Design verification as per IEC/EN 61439

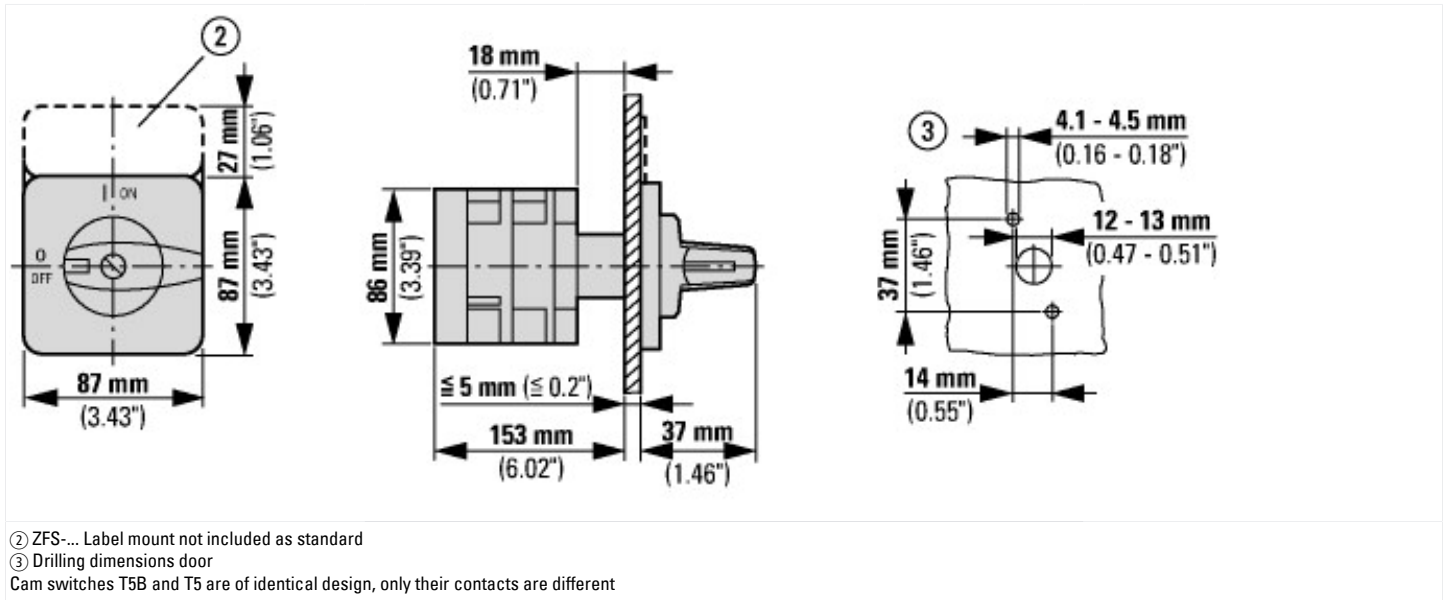
Technical data for design verification			
Rated operational current for specified heat dissipation	$I_n$	A	100
Heat dissipation per pole, current-dependent	$P_{vid}$	W	7.5
Equipment heat dissipation, current-dependent	$P_{vid}$	W	0
Static heat dissipation, non-current-dependent	$P_{vs}$	W	0
Heat dissipation capacity	$P_{diss}$	W	0
Operating ambient temperature min.		°C	-25
Operating ambient temperature max.		°C	50
IEC/EN 61439 design verification			
10.2 Strength of materials and parts			
10.2.2 Corrosion resistance			
10.2.3.1 Verification of thermal stability of enclosures			
10.2.3.2 Verification of resistance of insulating materials to normal heat			
10.2.3.3 Verification of resistance of insulating materials to abnormal heat and fire due to internal electric effects			
10.2.4 Resistance to ultra-violet (UV) radiation			
10.2.5 Lifting			
10.2.6 Mechanical impact			
10.2.7 Inscriptions			
10.3 Degree of protection of ASSEMBLIES			
10.4 Clearances and creepage distances			
10.5 Protection against electric shock			
10.6 Incorporation of switching devices and components			
10.7 Internal electrical circuits and connections			
10.8 Connections for external conductors			
10.9 Insulation properties			
10.9.2 Power-frequency electric strength			
10.9.3 Impulse withstand voltage			
10.9.4 Testing of enclosures made of insulating material			
10.10 Temperature rise			
10.11 Short-circuit rating			
10.12 Electromagnetic compatibility			
10.13 Mechanical function			

## Technical data ETIM 7.0

Low-voltage industrial components (EG000017) / Off-load switch (EC001105)			
Electric engineering, automation, process control engineering / Low-voltage switch technology / Off-load switch, circuit breaker, control switch / Changeover switch (ec!@ss10.0.1-27-37-14-05 [AKF062013])			
Model			Reverser
Number of poles			7
With 0 (off) position			No
With retraction in 0-position			No
Rated permanent current $I_u$		A	100
Rated operation current $I_e$ at AC-3, 400 V		A	55
Rated operation power at AC-3, 400 V		kW	30
Degree of protection (IP), front side			IP65
Degree of protection (NEMA), front side			Other
Number of auxiliary contacts as normally closed contact			0
Number of auxiliary contacts as normally open contact			0
Number of auxiliary contacts as change-over contact			0

Suitable for ground mounting		No
Suitable for front mounting 4-hole		Yes
Suitable for distribution board installation		No
Suitable for intermediate mounting		No
Complete device in housing		No
Material housing		Plastic
Type of control element		Toggle
Type of electrical connection of main circuit		Screw connection

## Dimensions



## Assets (links)

### Declaration of CE Conformity

00003073

### Instruction Leaflets

IL03801009Z2018\_05

## Additional product information (links)

IL03801009Z (AWA1150-1692) Cam switches: switch-disconnectors	
IL03801009Z (AWA1150-1692) Cam switches: switch-disconnectors	<a href="ftp://ftp.moeller.net/DOCUMENTATION/AWA_INSTRUCTIONS/IL03801009Z2018_05.pdf">ftp://ftp.moeller.net/DOCUMENTATION/AWA_INSTRUCTIONS/IL03801009Z2018_05.pdf</a>
Display flip catalog page.	<a href="http://ecat.moeller.net/flip-cat/?edition=K115A&amp;startpage=134">http://ecat.moeller.net/flip-cat/?edition=K115A&amp;startpage=134</a>
Technical overview cam switch, switch-disconnector	<a href="http://de.ecat.moeller.net/flip-cat/?edition=HPLTEv1&amp;startpage=4.2">http://de.ecat.moeller.net/flip-cat/?edition=HPLTEv1&amp;startpage=4.2</a>
System overview cam switch T	<a href="http://de.ecat.moeller.net/flip-cat/?edition=HPLTEv1&amp;startpage=4.4">http://de.ecat.moeller.net/flip-cat/?edition=HPLTEv1&amp;startpage=4.4</a>
System overview switch-disconnector P	<a href="http://de.ecat.moeller.net/flip-cat/?edition=HPLTEv1&amp;startpage=4.6">http://de.ecat.moeller.net/flip-cat/?edition=HPLTEv1&amp;startpage=4.6</a>
Key to part numbers Cam switch	<a href="http://de.ecat.moeller.net/flip-cat/?edition=HPLTEv1&amp;startpage=4.8">http://de.ecat.moeller.net/flip-cat/?edition=HPLTEv1&amp;startpage=4.8</a>
Key to part numbers Switch-disconnector	<a href="http://de.ecat.moeller.net/flip-cat/?edition=HPLTEv1&amp;startpage=4.8">http://de.ecat.moeller.net/flip-cat/?edition=HPLTEv1&amp;startpage=4.8</a>
Switches for ATEX	<a href="http://www.coopercrouse-hinds.eu/en/products/25-ex-safety-and-main-current-switches.html">http://www.coopercrouse-hinds.eu/en/products/25-ex-safety-and-main-current-switches.html</a>
Ordering form for SOND switches and SOND front plates(DE_EN)	<a href="ftp://ftp.moeller.net/DOCUMENTATION/PDF/MZ008005ZU_Orderform_Customized_Switch.pdf">ftp://ftp.moeller.net/DOCUMENTATION/PDF/MZ008005ZU_Orderform_Customized_Switch.pdf</a>
Ordering form for SOND switches and SOND front plates(DE_EN)	<a href="ftp://ftp.moeller.net/DOCUMENTATION/PDF/MZ008006ZU_Orderform_Customized_Switch.pdf">ftp://ftp.moeller.net/DOCUMENTATION/PDF/MZ008006ZU_Orderform_Customized_Switch.pdf</a>