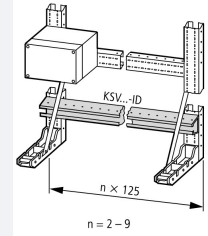


**Cable anchoring rail, HxWxD=15x30x500mm CI distribution board**

**Part no. KSV4-ID**  
**Catalog No. 065373**  
**EL-Nummer 2502270**  
**(Norway)**

**Delivery program**

|                     |  |        |  |
|---------------------|--|--------|--|
| Product range       |  |        | CI insulated enclosures  |
| Basic function      |  |        | Distribution board assembly  |
| Product function    |  |        | Accessories  |
| Accessories         |  |        | Cable anchoring rails  |
| For use with        |  |        | For T-slot cleats  |
| For use with        |  |        |  |
| 125 mm grid spacing |  | Number | 4 x 125  |
| Length              |  | mm     | 500  |

**Technical data ETIM 7.0**

|  |  |    |                  |
|--|--|----|------------------|
| Energy distribution systems (EG000015) / Cable guide for enclosures/cabinets (EC000322)  |  |    |                  |
| Electric engineering, automation, process control engineering / Electrical insulation and connecting material / Energy distribution system / Cable guide for cabinets (ecl@ss10.0.1-27-40-06-04 [AC0371011]) |  |    |                  |
| Model  |  |    | Cable guard rail |
| Material   |  |    | Metal            |
| Suitable for 19 inch mounting  |  |    | No               |
| Width  |  | mm | 30               |
| Number of height units   |  |    | 0                |

**Additional product information (links)**

|  |   |
|--|---|
| allowInterrupt=1&RevisionSelectionMethod=LatestReleased&noSaveAs=0&Render=1 http://www.eaton.eu/DE/ecm/idcplg?IdcService=GET_FILE&model certification xEnergy Safety Ci              |   |
| allowInterrupt=1&RevisionSelectionMethod=LatestReleased&noSaveAs=0&Render=1 http://www.eaton.eu/DE/ecm/idcplg?IdcService=GET_FILE&Save time – we assist you with expert pre-assembly |   |
| allowInterrupt=1&RevisionSelectionMethod=LatestReleased&noSaveAs=0&Render=1 http://www.eaton.eu/DE/ecm/idcplg?IdcService=GET_FILE&product information xEnergy Safety Ci              |   |
| tool for calculating the power loss for switching device combinations  | <a href="http://www.eaton.eu/DE/Europe/Electrical/Customersupport/ConfigurationTools/TCtool/index.htm">http://www.eaton.eu/DE/Europe/Electrical/Customersupport/ConfigurationTools/TCtool/index.htm</a>                         |
| configurator - xEnergy family  | <a href="http://www.eaton.eu/DE/Europe/Electrical/Customersupport/ConfigurationTools/xEnergyMainSupport/index.htm">http://www.eaton.eu/DE/Europe/Electrical/Customersupport/ConfigurationTools/xEnergyMainSupport/index.htm</a> |