



Reversing contactor combination, 380 V 400 V: 3 kW, 110 V 50 Hz, 120 V 60 Hz, AC operation



Part no. DIULEEM/21/MV(110V50HZ,120V60HZ)
 Catalog No. 051668
 Alternate Catalog No. XTMR6A21A

Delivery program

Product range			Contactor combinations
Application			Contactor combinations for starting motors with two directions of rotation
Accessories			DIUL reversing combinations
Utilization category			NAC-3: Normal AC induction motors: starting, switch off during running AC-4: Normal AC induction motors: starting, plugging, reversing, inching
Notes			Also suitable for motors with efficiency class IE3. IE3-ready devices are identified by the logo on their packaging.

Rated operational current

AC-3			
380 V 400 V	I_e	A	6.6

Max. rating for three-phase motors, 50 - 60 Hz

AC-3			
220 V 230 V	P	kW	1.5
380 V 400 V	P	kW	3
660 V 690 V	P	kW	3
AC-4			
220 V 230 V	P	kW	1.1
380 V 400 V	P	kW	2.2
660 V 690 V	P	kW	2.2

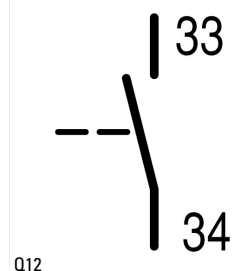
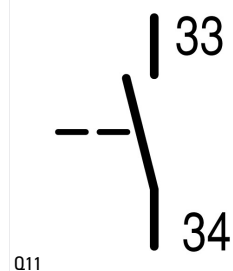
Actuating voltage			110 V 50 Hz, 120 V 60 Hz
Voltage AC/DC			AC operation

Individual components of the combination

Contactor Q11 DILEEM-10 + 11DILEM

Contactor Q12 DILEEM-10 + 11DILEM

Spare auxiliary contacts



Mechanical interlock +

Circuit diagram

Rated operation power at AC-3, 400 V	kW	3
Rated operation power NEMA	kW	2.2
Type of electrical connection of main circuit		Screw connection
Degree of protection (IP)		IP20
Degree of protection (NEMA)		Other

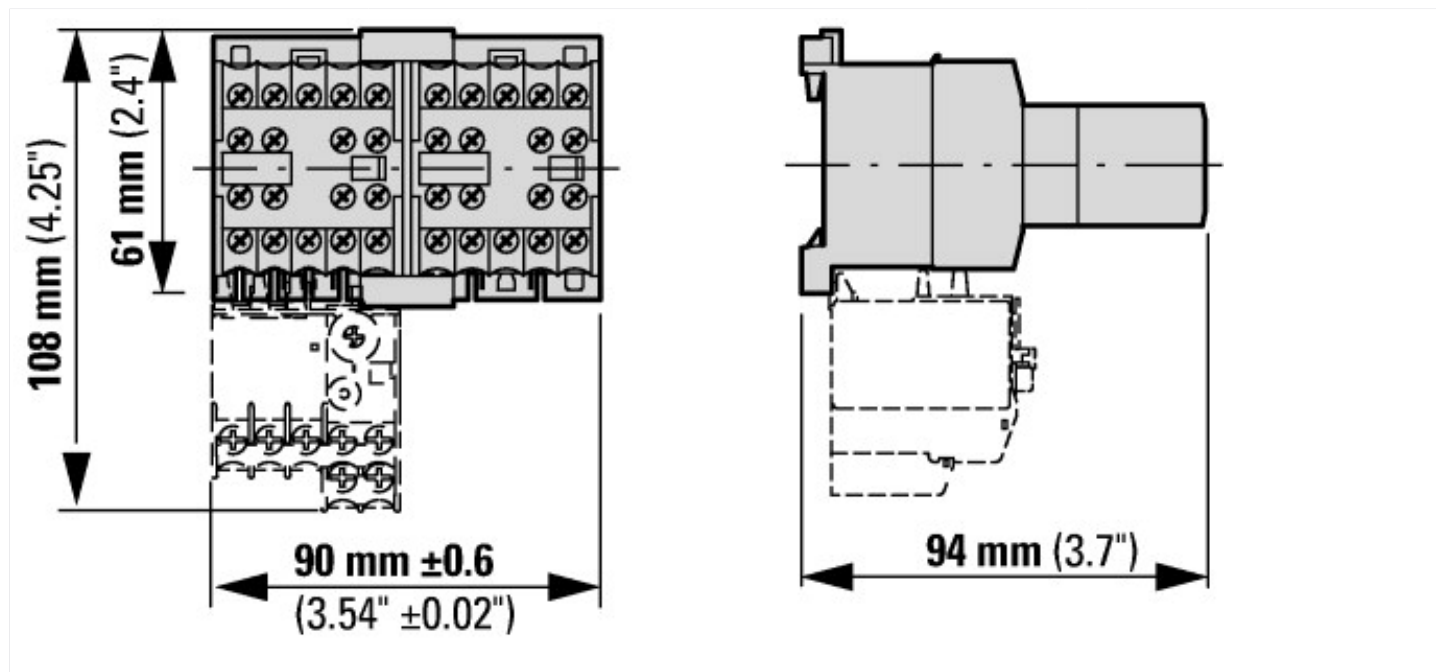
Approvals

Product Standards		IEC/EN 60947-4-1; UL 508; CSA-C22.2 No. 14-05; CE marking
UL File No.		E29096
UL Category Control No.		NLDX
CSA File No.		012528
CSA Class No.		3211-04
North America Certification		UL listed, CSA certified
Specially designed for North America		No



1: Overload relay

Dimensions



Assets (links)

Instruction Leaflets

IL03407067Z2018_05

Additional product information (links)

IL03407067Z (AWA2120-1049) Reversing combination

IL03407067Z (AWA2120-1049) Reversing combination

ftp://ftp.moeller.net/DOCUMENTATION/AWA_INSTRUCTIONS/IL03407067Z2018_05.pdf