



Fuse socket, 63A, 690V, DII/E27, gauge ring

Part no. **S33/FORMP**
 Catalog No. **036938**

Delivery program

Product range			Fuse Bases
Basic function			Fuse bases 3 pole For gauge ring (gauge screw:/FORMP) Screw fixing (holes for M4 screws)
Number of poles			3 pole
Rated operational current	I_e	A	63
Rated operational voltage	U_e	V AC	660 690
Fuse cartridge		Size	E33, DIII
Information about equipment supplied Gauge rings/gauge screws, fuse-links and fuse caps not included as standard not included			

Technical data

General

Standards			Load carrying capacity of fuse enclosures taking into account the derating factors to IEC/EN 60439 and VDE 0660 Part 500 and Part 504, and the cross-sections of the incoming cable.
Fuse bases: S27(-1), S33(-1)			VDE 0636 CEE 16
Protective covers			VDE 0636
Gauge ring system			DIN 49326 DIN 49327 DIN 49524
RS27 (33)-3/FORMP gauge screw system			DIN 49510
Ambient temperature		°C	-5 - +25 (+40, where annual and 24-hour mean value \leq 35)
Mounting position			As required
Rated uninterrupted current	I_u	A	63

Contacts

Rated operational voltage	U_e	V AC	690
Creepage and clearance distances			VDE 0636 Part 31
Current heat loss per contact at rated uninterrupted current I_u		W	7.5
Terminal capacities		mm ²	
Solid		mm ²	2.5 - 16
Flexible with ferrule		mm ²	1.5 - 25

Design verification as per IEC/EN 61439

Technical data for design verification			
Operating ambient temperature min.		°C	-25
Operating ambient temperature max.		°C	55

Technical data ETIM 6.0

Circuit breakers and fuses (EG000020) / D-system fuse base (EC000094)			
Electric engineering, automation, process control engineering / Electrical installation, device / Safety fuse systems / Diazed fuse base (ecl@ss8.1-27-14-21-03 [AFZ802011])			
Number of poles			3
Construction size			DII
Material			Plastic
Model			Fitted screw
Version with cover			No
Mounting method			Screw mounting

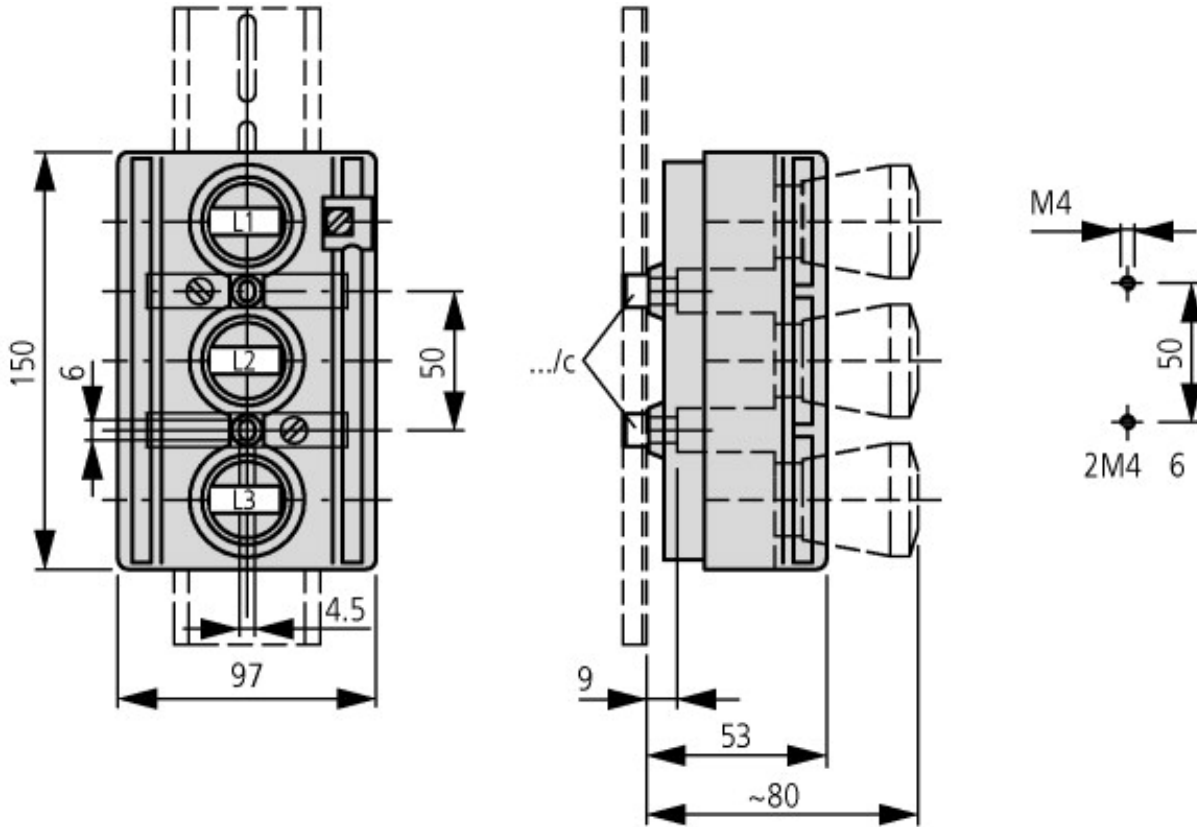
Nominal rated voltage

V 690

Nominal rated current

A 63

Dimensions



(...) = S33