
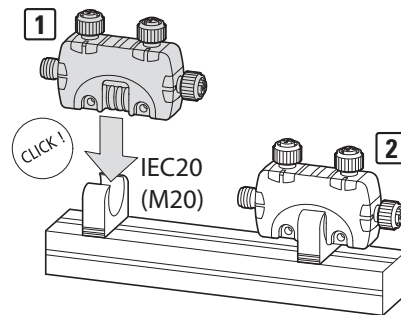
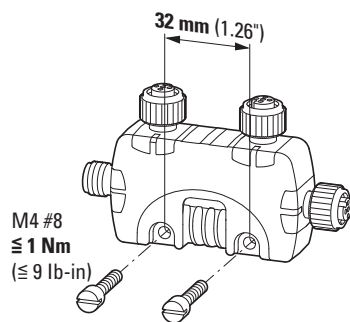
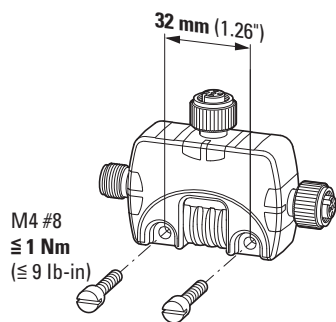


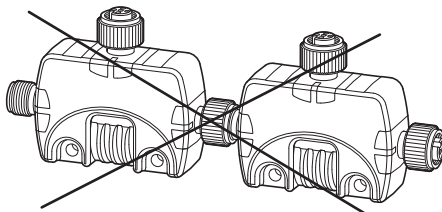
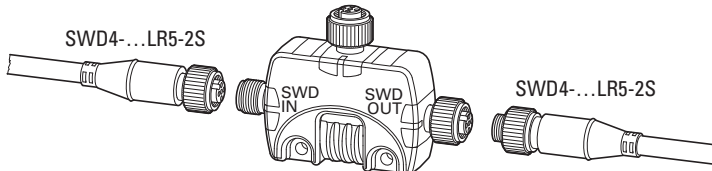
**EU1E-SWD-..., EU2E-SWD-...
EU1S-SWD-..., EU2A-SWD-...**

→  Eaton.com/documentation
MN120006...
MN05006002Z...
IL04716001Z...
Eaton.com/swd
Eaton.com/smartyredt

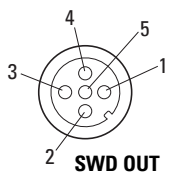
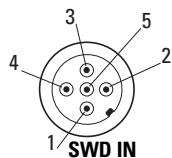
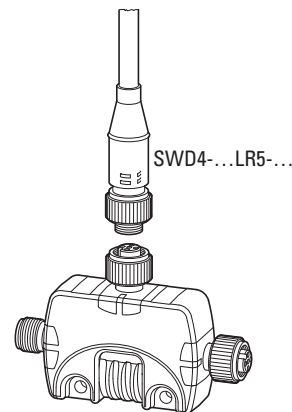
Mounting



EU...



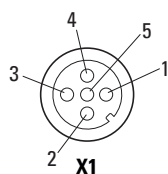
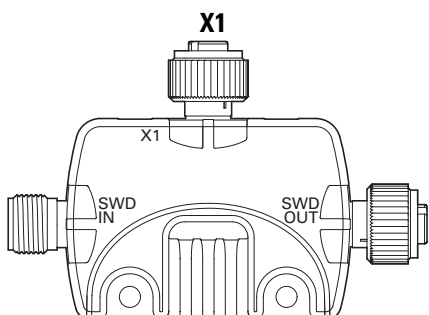
**EU...E...
EU1S...
EU2A...**



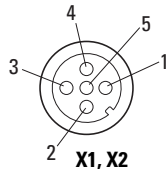
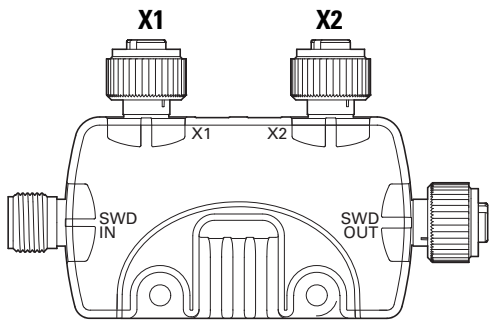
	SWD IN				
	1	2	3	4	5
EU1...-SWD-...	24 V	A	0 V	B	SEL
EU2...-SWD-...	24 V	A	0 V	B	SEL

	SWD OUT				
	1	2	3	4	5
EU1...-SWD-...	24 V	A	0 V	B	SEL
EU2...-SWD-...	24 V	A	0 V	B	SEL

Connections

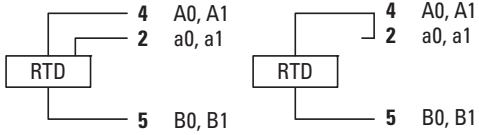


	X1				
	1	2	3	4	5
EU1E-SWD-1DX	24 V		0 V	IO	
EU1E-SWD-2DX	24 V	I1	0 V	IO	
EU1E-SWD-2DD	24 V	I1/Q1	0 V	IO/Q0	
EU1E-SWD-1AX-1	24 V	0 V	0 V	IA0	
EU1E-SWD-1AX-2	24 V	0 V	0 V	IA0	
EU1E-SWD-1XA-1	24 V	0 V	0 V	QA0	
EU1E-SWD-1XA-2	24 V	0 V	0 V	QA0	
EU1E-SWD-1CX	24 V	B	0 V	A	Ref
	24 V	Direction	0 V	Count	Ref

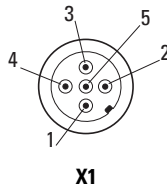
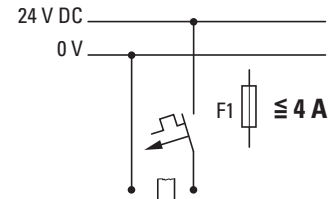


	X1				
	1	2	3	4	5
EU2E-SWD-2DX	24 V		0 V	I0	
EU2E-SWD-4DX	24 V	I1	0 V	I0	
EU2E-SWD-2DD	24 V		0 V	I0/Q0	
EU2E-SWD-4DD	24 V	I1/Q1	0 V	I0/Q0	
EU2E-SWD-4DD-1	24 V		0 V	I0/Q0	
EU2E-SWD-2PT	ACD	a0	0 V	A0	B0

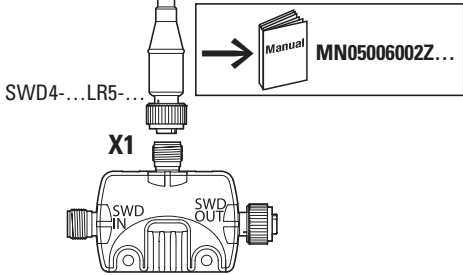
	X2				
	1	2	3	4	5
EU2E-SWD-2DX	24 V		0 V	I1	
EU2E-SWD-4DX	24 V	I3	0 V	I2	
EU2E-SWD-2DD	24 V		0 V	I1/Q1	
EU2E-SWD-4DD	24 V	I3/Q3	0 V	I2/Q2	
EU2E-SWD-4DD-1	24 V	I3/Q3	0 V	I2/Q2	I1/Q1
EU2E-SWD-2PT	ACD	a1	0 V	A1	B1



EU1S-SWD-PF1-2



1	24 V
3	0 V



EU2A-SWD-PBWN

