



Powering Business Worldwide

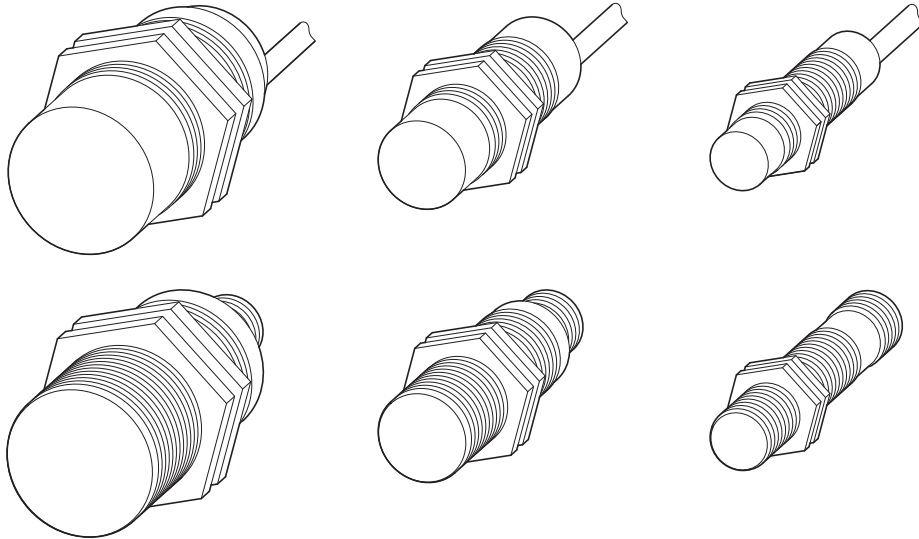
03/22 IL05301010Z (P51686)

Instruction Leaflet  
Montageanweisung  
Notice d'installation  
Instrucciones de montaje

Istruzioni per il montaggio  
安装说明  
Инструкция по монтажу  
منشور التعليمات

# AccuProx Series Analog Inductive Sensors

E59...



**(en) Electric current! Danger to life!**  
Only skilled or instructed persons may carry out the following operations.

**(de) Lebensgefahr durch elektrischen Strom!**

Nur Elektrofachkräfte und elektrotechnisch unterwiesene Personen dürfen die im Folgenden beschriebenen Arbeiten ausführen.

**(fr) Tension électrique dangereuse !**

Seules les personnes qualifiées et averties doivent exécuter les travaux ci-après.

**(es) ¡Corriente eléctrica! ¡Peligro de muerte!**

El trabajo a continuación descrito debe ser realizado por personas cualificadas y advertidas.

**(it) Tensione elettrica: Pericolo di morte!**

Solo persone abilitate e qualificate possono eseguire le operazioni di seguito riportate.

**(zh) 触电危险!**

只允许专业人员和受过专业训练的人员进行下列工作。

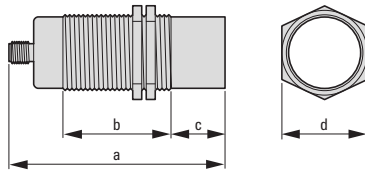
**(ru) Электрический ток! Опасно для жизни!**

Только специалисты или проинструктированные лица могут выполнять следующие операции.

**(ar) تحذير! تيار كهربائي! خطر موت!**  
لا تتم أعمال الصيانة والتركيب إلا من قبل العاملين المدربين!

## Dimensions

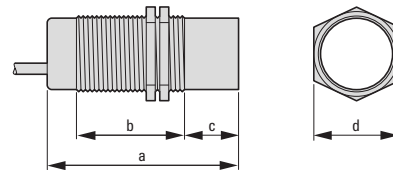
### Micro Connector Models



[mm]		a	b	c	d
∅ 12	①	77.5	50.3	0.5	17
	②	77.5	41.6	9	17
∅ 18	①	69.3	50.9	0.5	24
	②	69.3	37.4	14	24
∅ 30	①	74.1	54.1	0.75	36
	②	74.1	35.8	19	36

[in]		a	b	c	d
∅ 12	①	3.05	1.98	0.02	0.67
	②	3.05	1.64	0.36	0.67
∅ 18	①	2.73	2	0.02	0.94
	②	2.73	1.47	0.55	0.94
∅ 30	①	2.92	2.13	0.03	1.41
	②	2.92	1.41	0.75	1.41

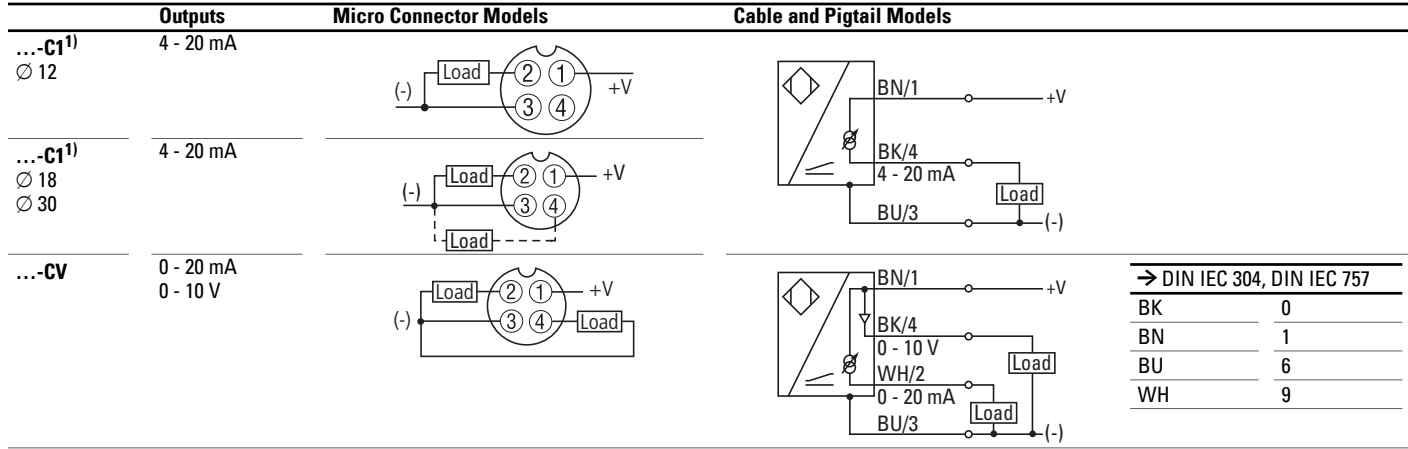
### Cable and Pigtail Models



[mm]		a	b	c	d
∅ 12	①	62.4	50.3	0.5	17
	②	62.4	41.6	9	17
∅ 18	①	64.5	50.9	0.5	24
	②	64.5	37.4	14	24
∅ 30	①	69.6	54.1	0.75	36
	②	69.6	35.8	19	36

[in]		a	b	c	d
∅ 12	①	2.46	1.98	0.02	0.67
	②	2.46	1.64	0.36	0.67
∅ 18	①	2.54	2.00	0.02	0.94
	②	2.54	1.47	0.55	0.94
∅ 30	①	2.74	2.13	0.03	1.41
	②	2.74	1.41	0.75	1.41

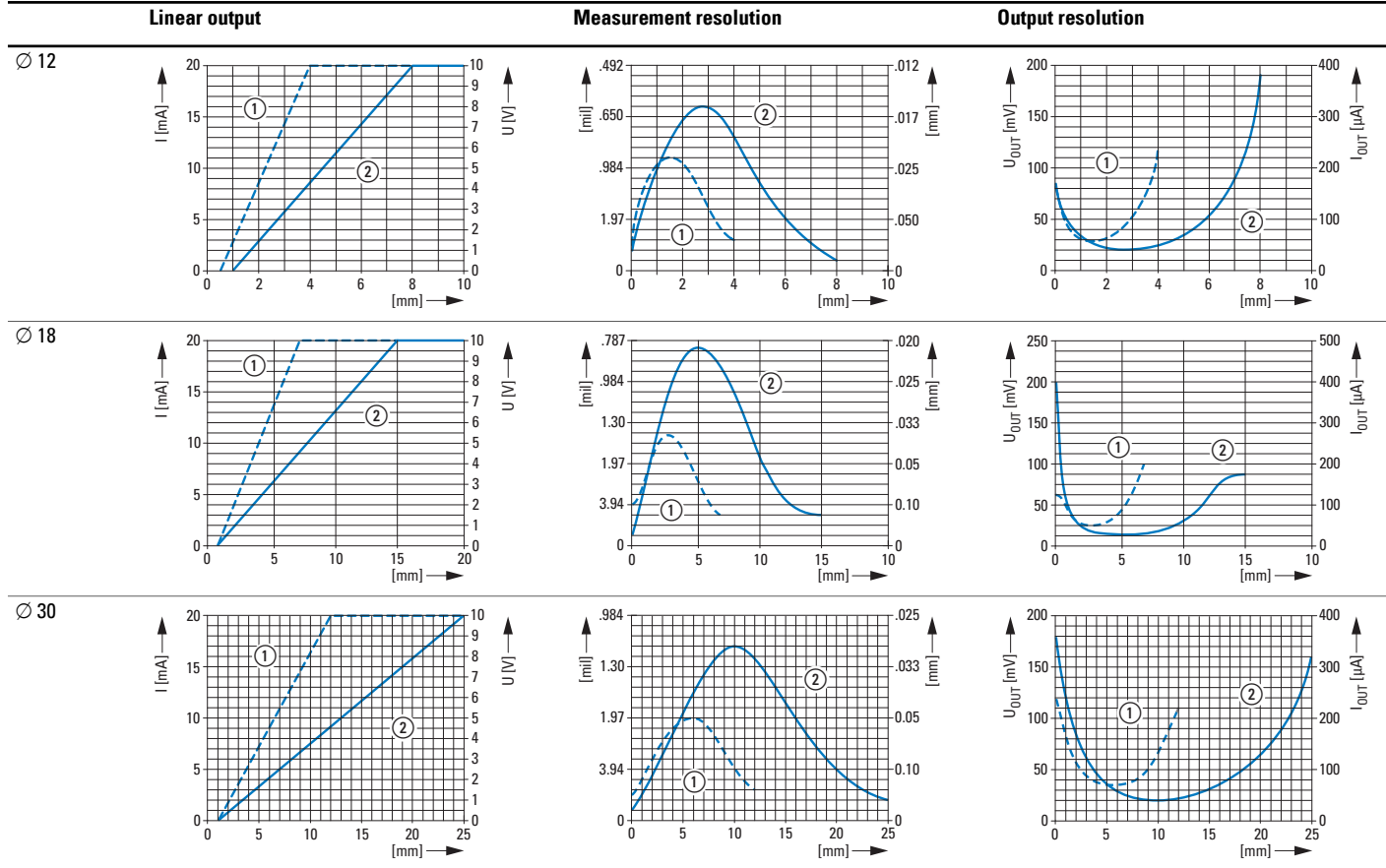
# Wiring diagrams



→ DIN IEC 304, DIN IEC 757

BK	0
BN	1
BU	6
WH	9

1) For models ending in ...-C1 (current output only models), pins 2 and 4 are internally connected.  
 → Do not connect outputs of -C1 models to separate loads – this sensor should only be connected to a single output load!



1) Measurement resolution is the sensor's ability to detect a change in target position. The measurement resolution is the finest at the highest point in the curve.  
 2) Output resolution is the change in output signal relative to target position. The minimum change in output resolution is defined by the lowest point in the curve.

