

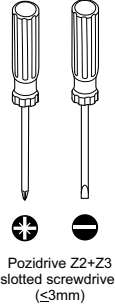
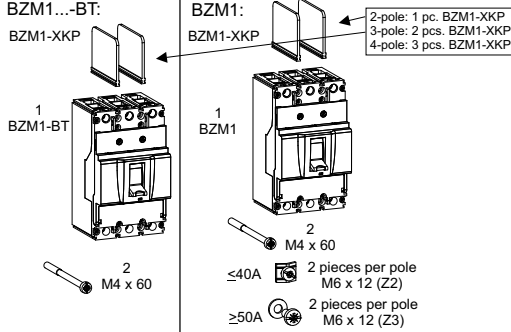
Instruction Leaflet
 Montageanweisung
 Notice d'installation
 Instrucciones de montaje
 Istruzioni per il montaggio
 安装说明
 Инструкция по монтажу
 Montagehandleiding

Montagevejledning
 Οδηγίες εγκατάστασης
 Instruções de montagem
 Monteringsanvisning
 Asennusohje
 Návod k montáži
 Paigaldusjuhend
 Szerelési utasítás

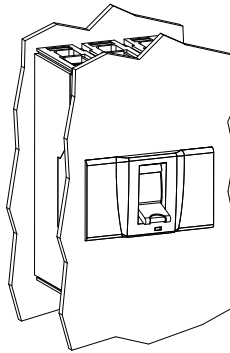
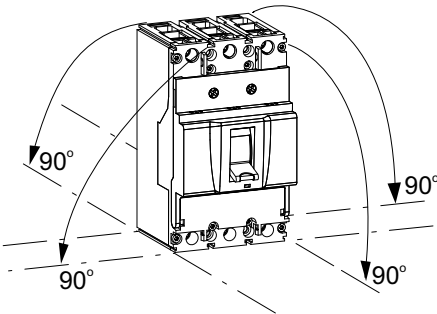
Montāžas instrukcija
 Montavimo instrukcija
 Instrukcja montażu
 Navodila za montažo
 Návod na montáž
 Монтажни инструкции
 Instruccioni de montaj
 Upute za montažu

Kullanma Talimatı
 Инструкција за монтажу
 Instrukcja montażu
 Монтажна інструкція
 نشرة التعليمات

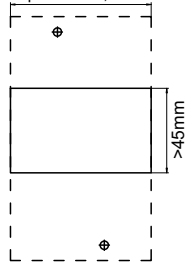
BZM1 SIMPLE - COMPACT - SAFE...



SIMPLE: Mounting position as required

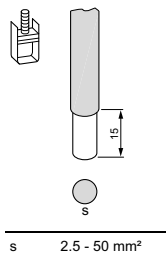


2-pole > 50,3mm
 3-pole > 75,3mm
 4-pole > 100,3mm

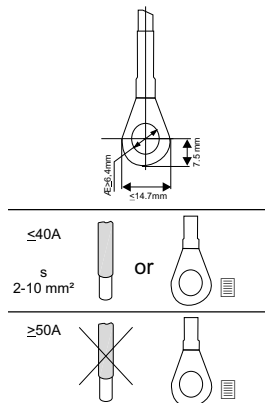


SIMPLE: Connection as required

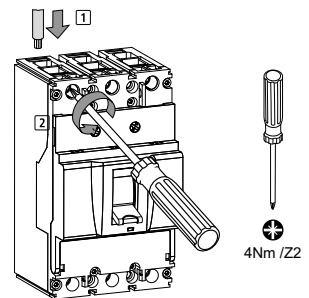
BZM1...-BT:



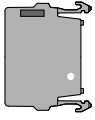
BZM1:



BZM1...-BT:



SIMPLE: The installation of the auxiliary contacts

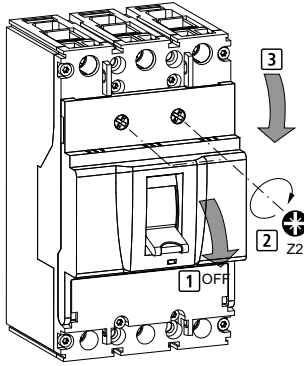


M22-K10
M22-K01

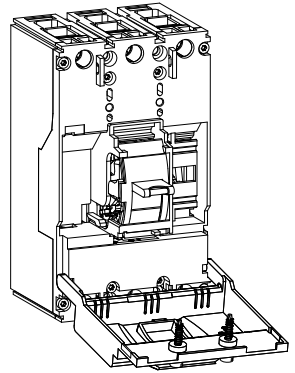
$I_n = I_c$

	U_c (V)	I_c (A)
AC-15	115	4
	230	4
	400	2
	500	1
DC-13	24	3
	42	1.7
	60	1.2
	110	0.6
	220	0.3

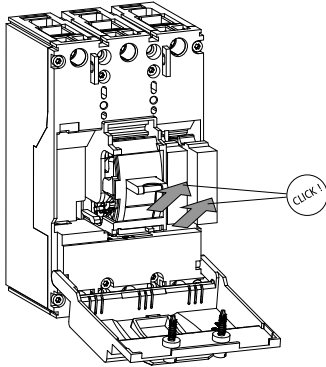
1
Montage
Mounting
Montaggio
Montaje
Монтаж
安装



2

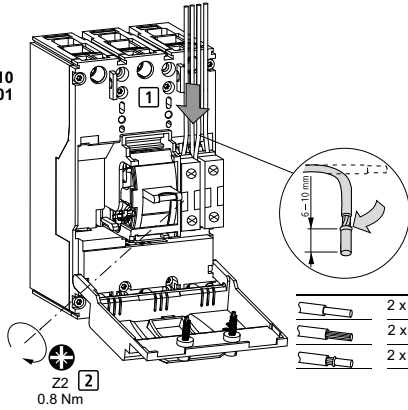


3



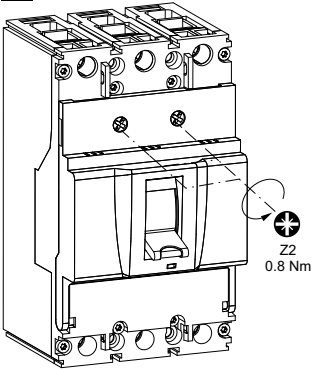
4

M22-K10
M22-K01



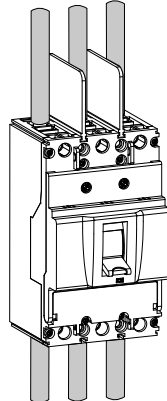
- 2 x 0.75 - 2.5 mm²
- 2 x 0.75 - 2.5 mm²
- 2 x 0.75 - 2.5 mm²

5



SIMPLE: Connection as required

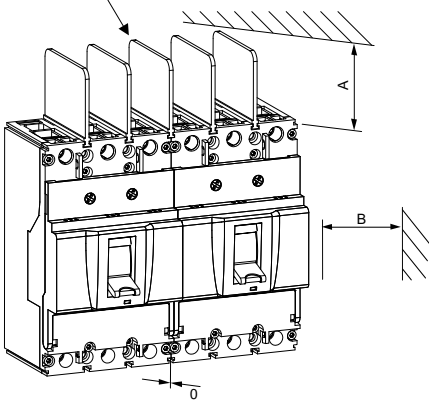
Load/Line side



Line/Load side

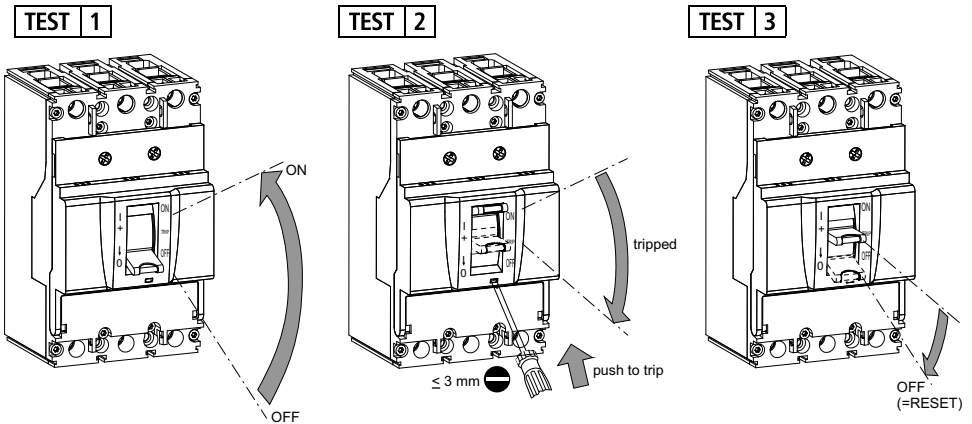


Additional BZM1-XKP required!

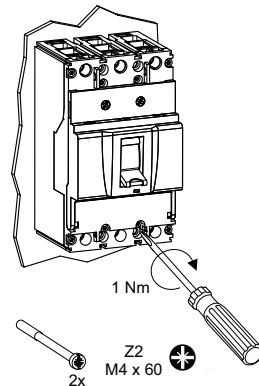
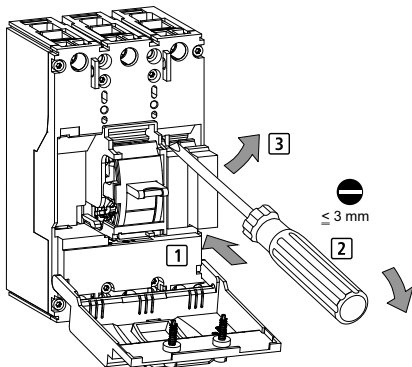


		isolated parts	metal parts / grounded parts
with phase barrier XKP	A	70 mm	70 mm
	B	0 mm	10 mm
with terminal cover XKSA	A	10 mm	10 mm
	B	0 mm	0 mm

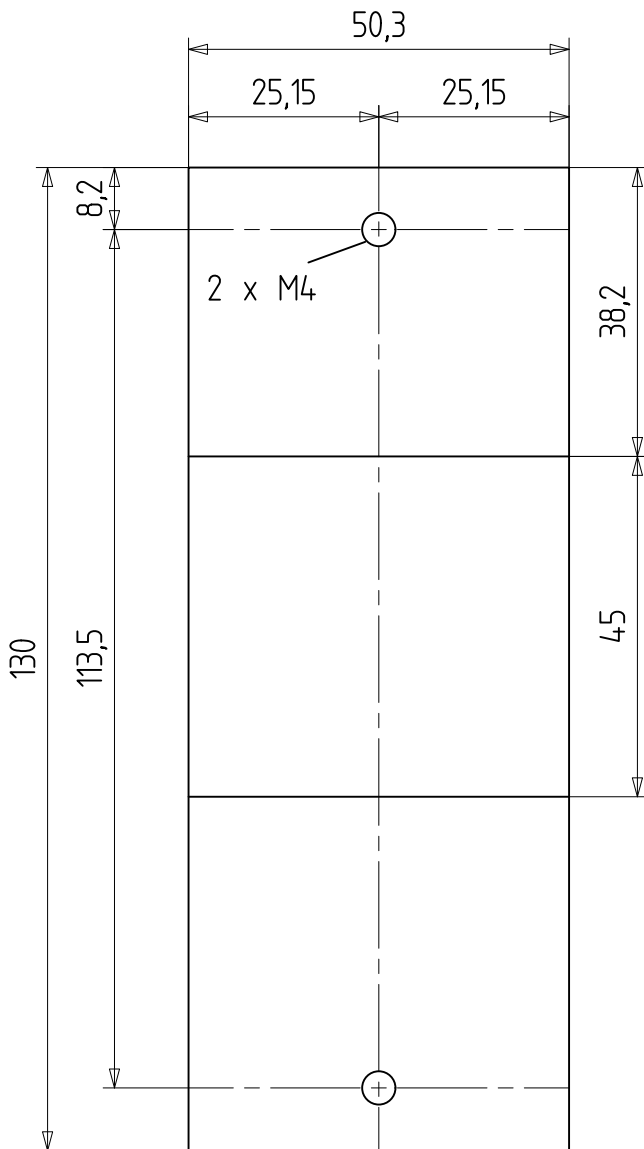
SAFE: Indication of operating status by 3-position-lever



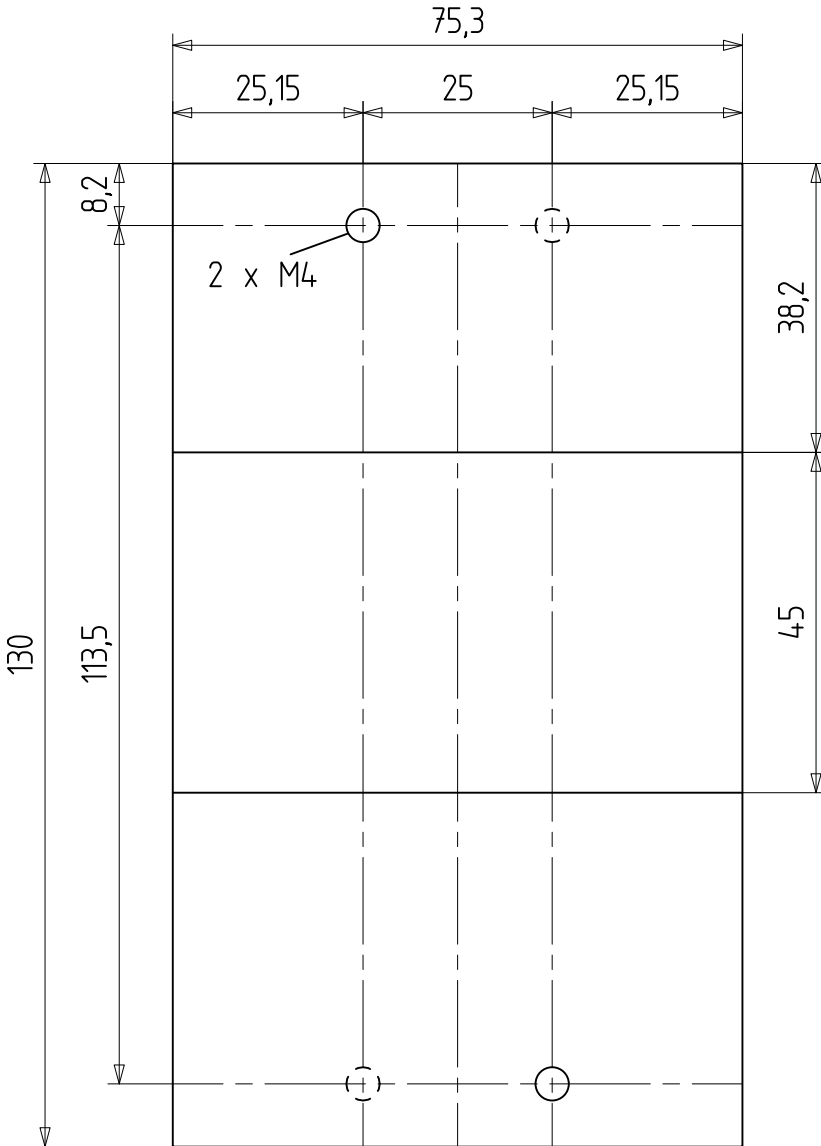
Dismantling
 Demontage
 Démontage
 Smontaggio
 Desmontaje
 Разборка
 拆卸



2 pol.



3 pol.



4 pol.

