



Release pushbutton, without button plate, Bezel: black

Part no. **M22S-DZ-X**
 Catalog No. **259522**
 Alternate Catalog No. **M22S-DZ-XQ**

Delivery program

Accessories		General accessories
Product range		Accessories
Basic function accessories		Reset buttons
Accessories		Pushbuttons
Function		For enclosed overload relays
		For enclosed overload relays Mounting diameter: 22.3 mm
Description		Mounting diameter: 22.3 mm
Button plate		Without button plate, add button plate.
Front ring		Bezel: black
Connection to SmartWire-DT		no
For use with		ZW7... ZE Z5 ZB12 ZB32 ZB65 ZB150

Technical data

General

Ambient temperature		
Open	°C	-25 - +70

Design verification as per IEC/EN 61439

Technical data for design verification		
Operating ambient temperature min.	°C	-25
Operating ambient temperature max.	°C	70

Technical data ETIM 8.0

Low-voltage industrial components (EG000017) / Front element for push button (EC000221)

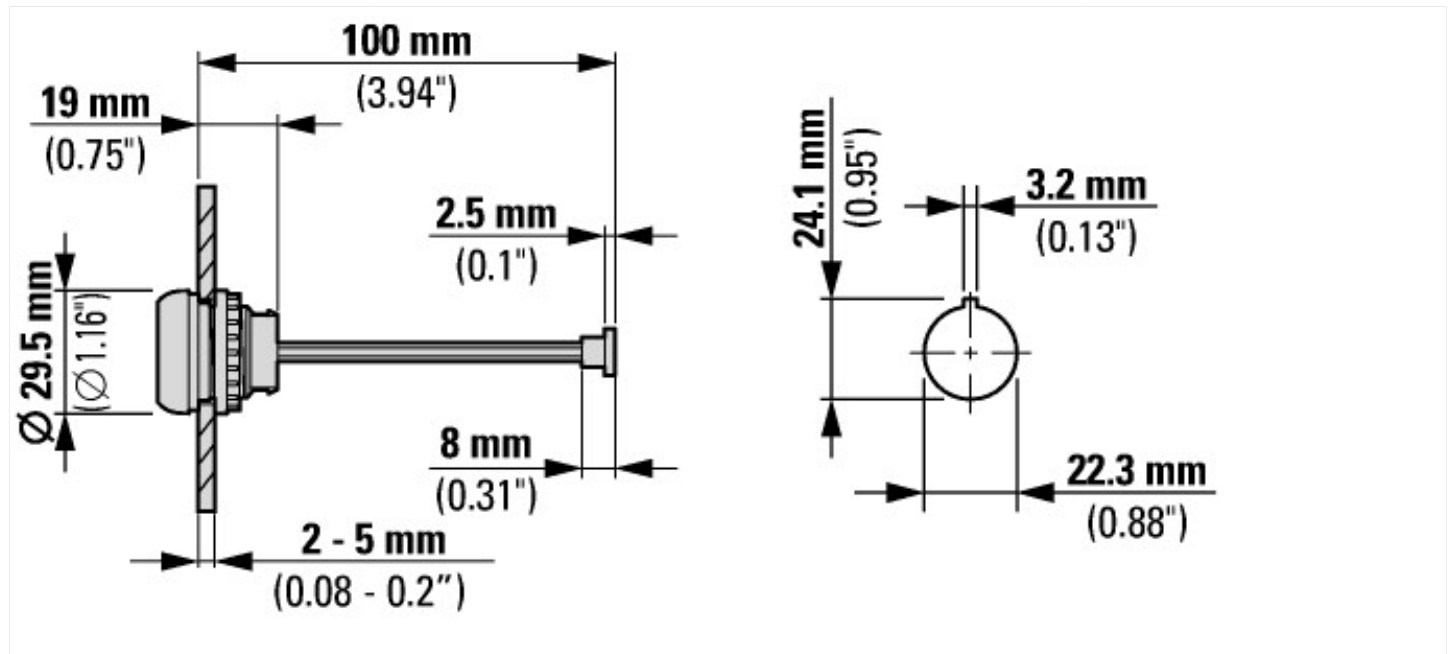
Electric engineering, automation, process control engineering / Low-voltage switch technology / Command and alarm device / Front element for push-button actuators (ecl@ss10.0.1-27-37-12-10 [AKF028014])

Colour button		Without button plate
Number of command positions		1
Construction type lens		Round
Hole diameter	mm	22
Width opening	mm	0
Height opening	mm	0
Type of button		Flat
Suitable for illumination		No
With protective cover		No
Labelled		No
Switching function latching		No
Spring-return		Yes
With front ring		Yes
Material front ring		Plastic
Colour front ring		Black
Degree of protection (IP), front side		IP67
Degree of protection (NEMA), front side		4X

Approvals

Product Standards		UL 508; CSA-C22.2 No. 14; IEC/EN 60947; CE marking
UL File No.		E29184
UL Category Control No.		NKCR
CSA File No.		012528
CSA Class No.		3211-03
North America Certification		UL listed, CSA certified
Specially designed for North America		No

Dimensions



Additional product information (links)

IL04716002Z (AWA1160-1745) RMQ-Titan system

IL04716002Z (AWA1160-1745) RMQ-Titan system

https://es-assets.eaton.com/DOCUMENTATION/AWA_INSTRUCTIONS/IL04716002Z2021_07.pdf