



**Adapter M20 in PG13.5**

**Part no.** VPG13,5/M20  
**Catalog No.** 225268  
**Alternate Catalog No.** VPG13P5ZOLL-M20

**Delivery program**

Product range		Accessories
Basic function		Adapter
		M20 on PG13,5
For use with		MCS, MCSN

**Design verification as per IEC/EN 61439**

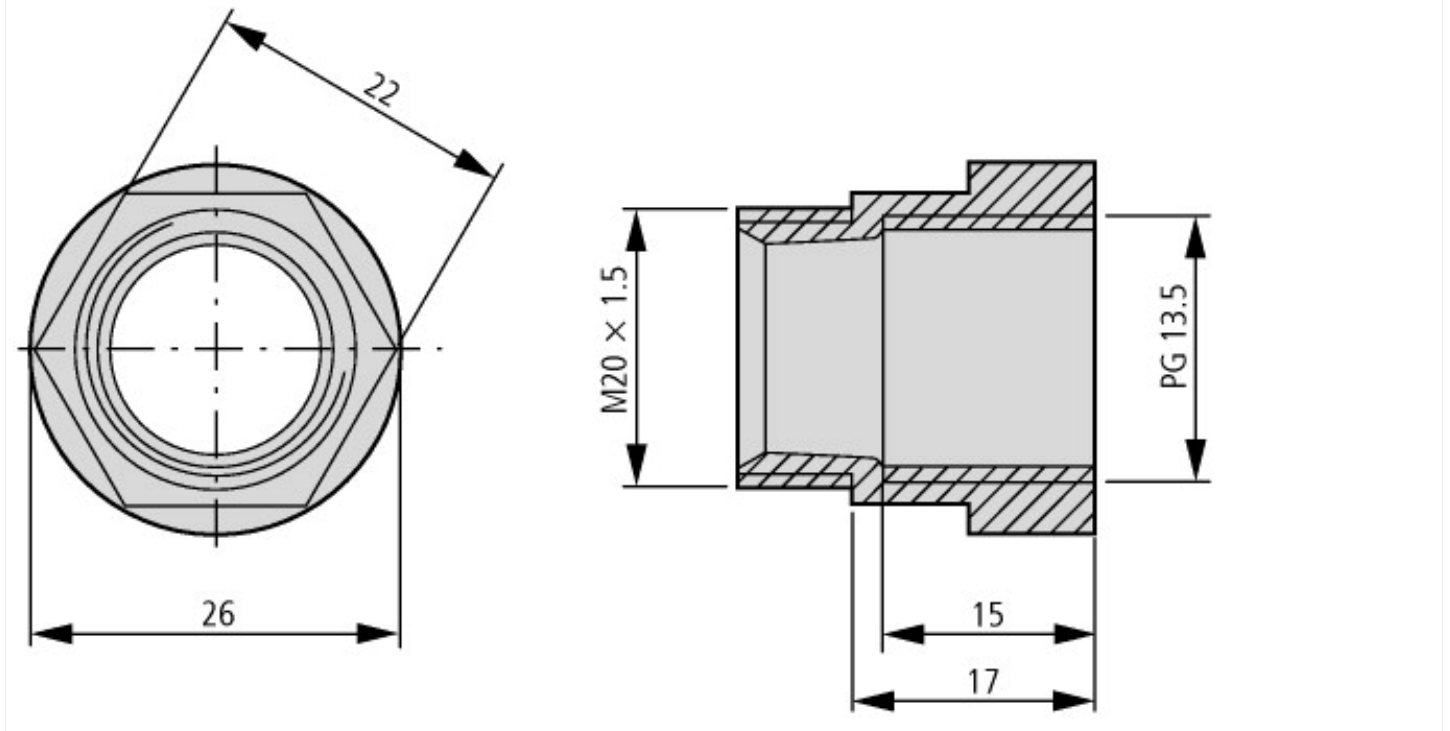
Technical data for design verification			
Rated operational current for specified heat dissipation	$I_n$	A	0
Heat dissipation per pole, current-dependent	$P_{vid}$	W	0
Equipment heat dissipation, current-dependent	$P_{vid}$	W	0
Static heat dissipation, non-current-dependent	$P_{vs}$	W	0
Heat dissipation capacity	$P_{diss}$	W	0
IEC/EN 61439 design verification			
10.2 Strength of materials and parts			
10.2.2 Corrosion resistance			Meets the product standard's requirements.
10.2.3.1 Verification of thermal stability of enclosures			Meets the product standard's requirements.
10.2.3.2 Verification of resistance of insulating materials to normal heat			Meets the product standard's requirements.
10.2.3.3 Verification of resistance of insulating materials to abnormal heat and fire due to internal electric effects			Meets the product standard's requirements.
10.2.4 Resistance to ultra-violet (UV) radiation			Please enquire
10.2.5 Lifting			Does not apply, since the entire switchgear needs to be evaluated.
10.2.6 Mechanical impact			Does not apply, since the entire switchgear needs to be evaluated.
10.2.7 Inscriptions			Meets the product standard's requirements.
10.3 Degree of protection of ASSEMBLIES			Does not apply, since the entire switchgear needs to be evaluated.
10.4 Clearances and creepage distances			Meets the product standard's requirements.
10.5 Protection against electric shock			Does not apply, since the entire switchgear needs to be evaluated.
10.6 Incorporation of switching devices and components			Does not apply, since the entire switchgear needs to be evaluated.
10.7 Internal electrical circuits and connections			Is the panel builder's responsibility.
10.8 Connections for external conductors			Is the panel builder's responsibility.
10.9 Insulation properties			
10.9.2 Power-frequency electric strength			Is the panel builder's responsibility.
10.9.3 Impulse withstand voltage			Is the panel builder's responsibility.
10.9.4 Testing of enclosures made of insulating material			Is the panel builder's responsibility.
10.10 Temperature rise			Not applicable.
10.11 Short-circuit rating			Is the panel builder's responsibility. The specifications for the switchgear must be observed.
10.12 Electromagnetic compatibility			Is the panel builder's responsibility. The specifications for the switchgear must be observed.
10.13 Mechanical function			The device meets the requirements, provided the information in the instruction leaflet (IL) is observed.

**Technical data ETIM 7.0**

Cable and wire entry systems (EG000009) / Enlargement/reducing ring (EC000938)		
Electric engineering, automation, process control engineering / Cable, pipe, hose laying (electric installation) / Cable protection hose (electric installation) / Enlargement/reducing ring (electric) (ec1@ss10.0.1-27-43-03-14 [ADT439007])		
Thread type inner thread		PG
Thread size inner thread metric		0
Thread size PG inner thread		13.5

Thread size inner thread (inch)		Other
Thread type outer thread		Metric
Thread size outer thread metric		20
Thread size PG outer thread		0
Thread size outer thread (inch)		Other
Material		Plastic
Material quality		Other
Nickel-plated		No
Explosion-proof		No

## Dimensions



## Assets (links)

### Declaration of CE Conformity

00002834