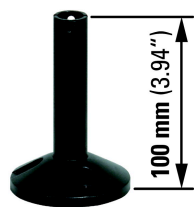


## DATASHEET - SL-F100



Stand, with tube 100mm

Part no. **SL-F100**  
Catalog No. **205345**  
Alternate Catalog No. **SL-F100**



### Delivery program

Product range			SL signal towers
Single unit/Complete unit			Stand-alone device
Length		mm	100
Material			Insulated material black
Connection to SmartWire-DT			no

### Design verification as per IEC/EN 61439

Technical data for design verification			
Operating ambient temperature min.		°C	-25
Operating ambient temperature max.		°C	55

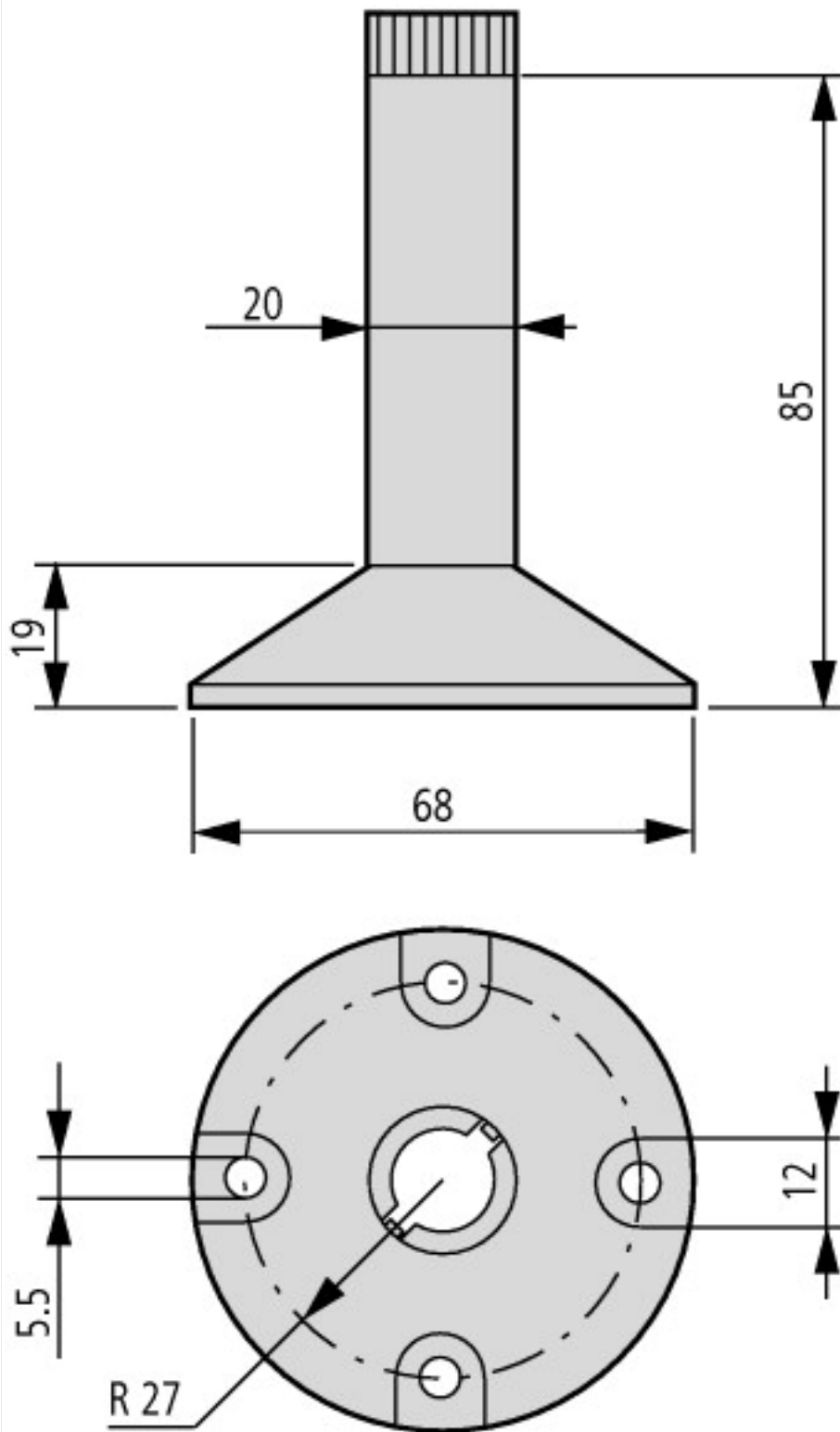
### Technical data ETIM 7.0

Low-voltage industrial components (EG000017) / Stand for signal tower with tube (EC001259)			
Electric engineering, automation, process control engineering / Low-voltage switch technology / Command and alarm device / Signal column element, foot with pipe (ecl@ss10.0.1-27-37-12-34 [AKF052014])			
Colour			Black
Tube length		mm	100
Material			Plastic

### Approvals

Product Standards			IEC/EN 60947-5; UL 508; CSA-C22.2 No. 14-05; CSA-C22.2 No. 94-91; CE marking
UL File No.			E29184
UL Category Control No.			NKCR
CSA File No.			012528
CSA Class No.			3211-03
North America Certification			UL listed, CSA certified

## Dimensions



## Additional product information (links)

IL04716024Z (AWA1160-1685) Pillar lamps

IL04716024Z (AWA1160-1685) Pillar lamps

[https://es-assets.eaton.com/DOCUMENTATION/AWA\\_INSTRUCTIONS/IL04716024Z2018\\_05.pdf](https://es-assets.eaton.com/DOCUMENTATION/AWA_INSTRUCTIONS/IL04716024Z2018_05.pdf)