



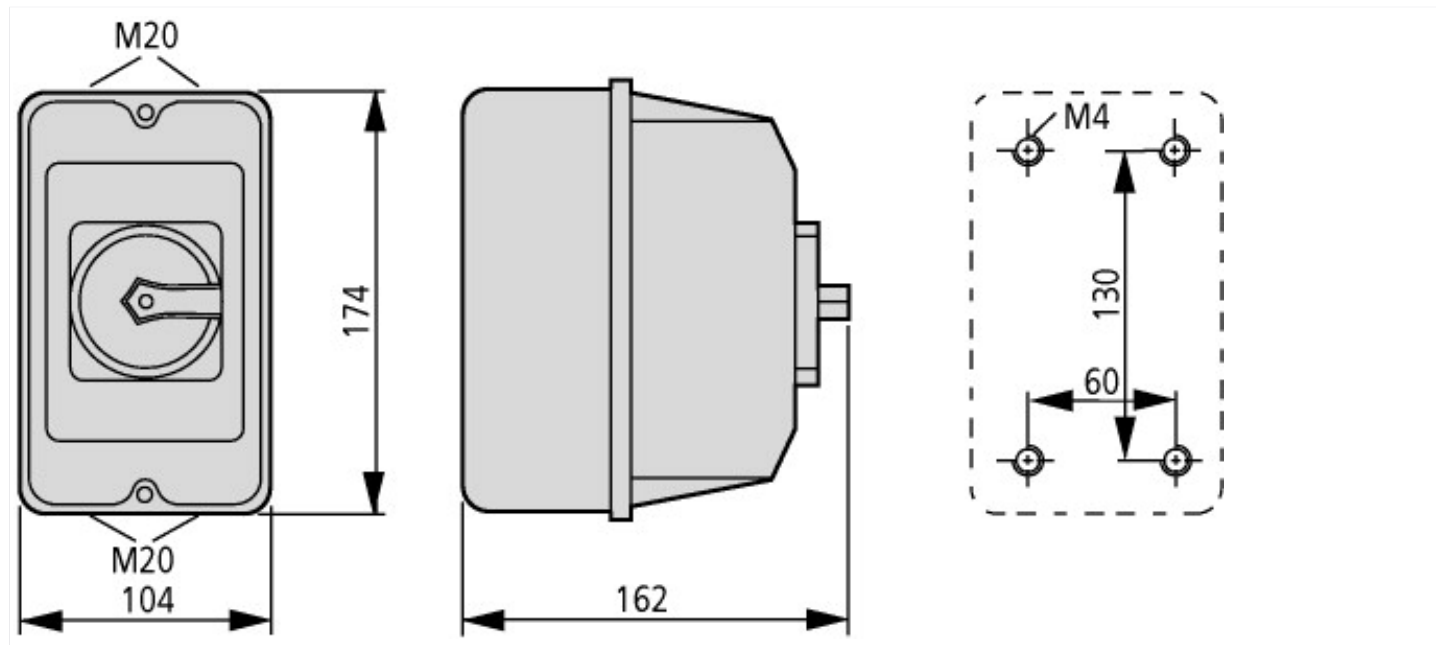
**Main switch, +steel enclosure, 3p, 25A, handle black, lockable**

**Part no.  
Catalog No.**

**P1-25/ST/SVB-SW  
201714**

Similar to illustration

## Dimensions



## Assets (links)

### Declaration of CE Conformity

00003102

### Instruction Leaflets

IL03802007Z2018\_05