



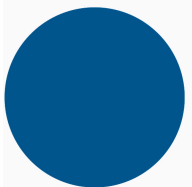
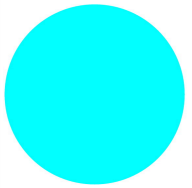
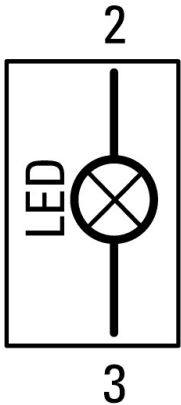
Indicator light, Flat, Cable (black) with M8 plug, 4 pole, 0.5 m, Lens Blue, LED Blue, 24 V AC/DC



Powering Business Worldwide™

Part no. C22-L-B-24-P31  
 Catalog No. 185129

**Delivery program**

|                               |  |   |                                                                                      |
|-------------------------------|--|---|--------------------------------------------------------------------------------------|
| Product range                 |  |   | RMQ compact solution                                                                 |
| Basic function                |  |   | Indicator lights                                                                     |
| Single unit/Complete unit     |  |   | Complete unit                                                                        |
| Design                        |  |   | Flat                                                                                 |
| Connection type               |  |   | Cable (black) with M8 plug, 4 pole                                                   |
| Cable Length                  |  | m | 0.5                                                                                  |
| <b>Colour</b>                 |  |   |                                                                                      |
| Lens                          |  |   | Blue                                                                                 |
| Lens                          |  |   |    |
| LED                           |  |   |   |
| LED                           |  |   | Blue                                                                                 |
| Rated operational voltage LED |  |   | 24 V AC/DC                                                                           |
| Degree of Protection          |  |   | IP66, IP67, IP69 (front)<br>IP65 (on rear)                                           |
| Connection to SmartWire-DT    |  |   | no                                                                                   |
| Contact sequence              |  |   |  |

**Technical data**

|                                 |            |                   |                                                                                |
|---------------------------------|------------|-------------------|--------------------------------------------------------------------------------|
| <b>General</b>                  |            |                   |                                                                                |
| Standards                       |            |                   | IEC/EN 60947-5-1<br>VDE 0660                                                   |
| Certifications                  |            |                   | CE, UL, CSA                                                                    |
| Lifespan, mechanical            | Operations | x 10 <sup>6</sup> | > 1                                                                            |
| Plug tightening torque          |            | N/m               | 0.6                                                                            |
| Tightening torque Threaded ring |            | Nm                | 2                                                                              |
| Climatic proofing               |            |                   | Damp heat, constant, to IEC 60068-2-78<br>Damp heat, cyclic, to IEC 60068-2-30 |

|                                                   |  |    |                                            |
|---------------------------------------------------|--|----|--------------------------------------------|
| Degree of Protection                              |  |    | IP66, IP67, IP69 (front)<br>IP65 (on rear) |
| Ambient temperature                               |  |    |                                            |
| Open                                              |  | °C | -30 - +70                                  |
| Storage                                           |  | °C | - 30 - + 80                                |
| Mounting position                                 |  |    | As required                                |
| Mechanical shock resistance, shock duration 11 ms |  | g  | > 30                                       |

### Contacts

|                                         |           |      |       |
|-----------------------------------------|-----------|------|-------|
| Rated impulse withstand voltage         | $U_{imp}$ | V AC | 800   |
| Rated insulation voltage                | $U_i$     | V    | 30    |
| Overvoltage category/pollution degree   |           |      | III/3 |
| Max. short-circuit protective device    |           |      |       |
| Fuse                                    | gG/gL     | A    | 4     |
| Rated conditional short-circuit current | $I_q$     | kA   | 1     |

### Cable characteristics

|                         |   |    |     |
|-------------------------|---|----|-----|
| Design                  |   |    | M8  |
| Cable Length            |   | m  | 0.5 |
| Material characteristic |   |    | PUR |
| Diameter                | ∅ | mm | 4.7 |

### Design verification as per IEC/EN 61439

|                                        |  |    |     |
|----------------------------------------|--|----|-----|
| Technical data for design verification |  |    |     |
| Operating ambient temperature min.     |  | °C | -30 |
| Operating ambient temperature max.     |  | °C | 70  |

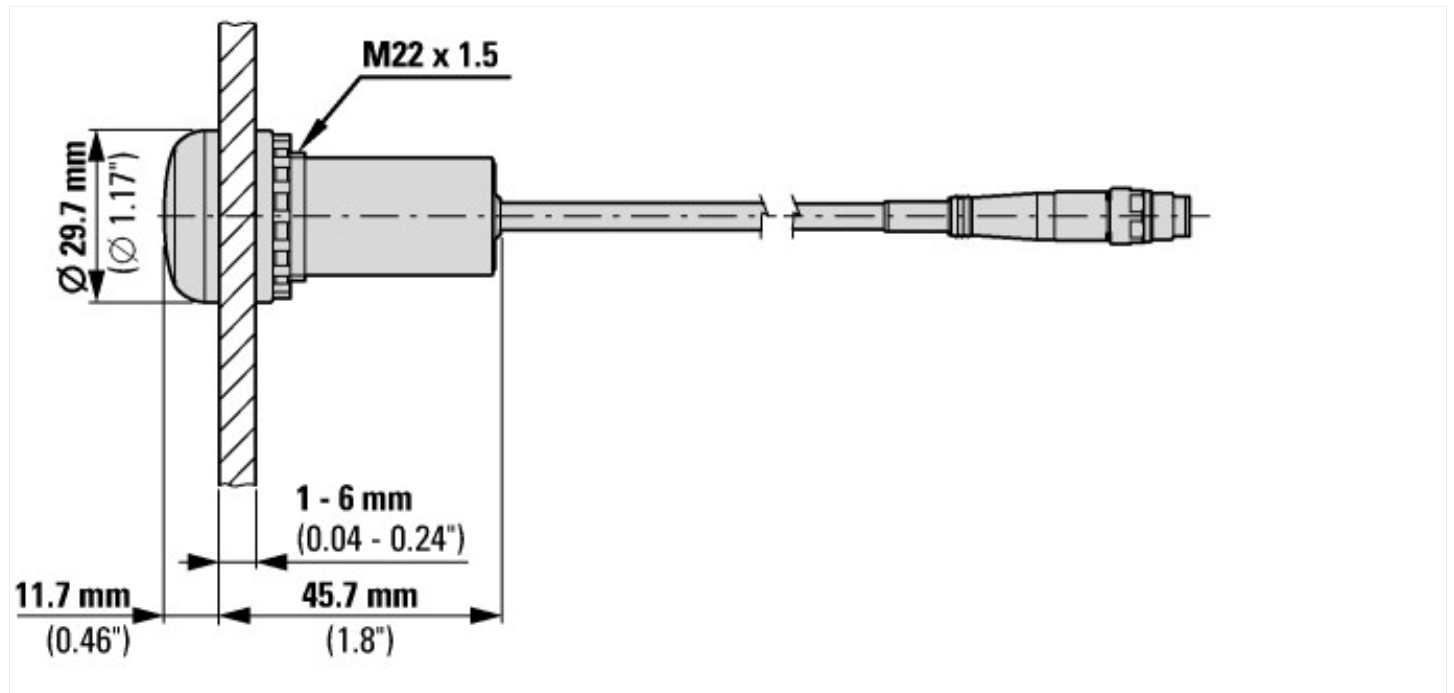
### Technical data ETIM 7.0

|                                                                                                                                                                                            |  |    |         |
|--------------------------------------------------------------------------------------------------------------------------------------------------------------------------------------------|--|----|---------|
| Low-voltage industrial components (EG000017) / Indicator light complete (EC000272)                                                                                                         |  |    |         |
| Electric engineering, automation, process control engineering / Low-voltage switch technology / Command and alarm device / Indicator light complete (ecl@ss10.0.1-27-37-12-23 [AKF041014]) |  |    |         |
| Number of indicator lights                                                                                                                                                                 |  |    | 1       |
| Colour lens                                                                                                                                                                                |  |    | Blue    |
| Type of lamp socket                                                                                                                                                                        |  |    | LED     |
| With light source                                                                                                                                                                          |  |    | Yes     |
| Rated operating voltage $U_e$                                                                                                                                                              |  | V  | 24 - 24 |
| Voltage type                                                                                                                                                                               |  |    | AC/DC   |
| Type of electric connection                                                                                                                                                                |  |    | Other   |
| Construction type lens                                                                                                                                                                     |  |    | Round   |
| Type of lens                                                                                                                                                                               |  |    | Flat    |
| Hole diameter                                                                                                                                                                              |  | mm | 22.5    |
| Width opening                                                                                                                                                                              |  | mm | 0       |
| Height opening                                                                                                                                                                             |  | mm | 0       |
| With front ring                                                                                                                                                                            |  |    | Yes     |
| Material front ring                                                                                                                                                                        |  |    | Plastic |
| Colour front ring                                                                                                                                                                          |  |    | Other   |
| Degree of protection (IP)                                                                                                                                                                  |  |    | Other   |
| Degree of protection (NEMA)                                                                                                                                                                |  |    | Other   |

### Approvals

|                             |  |  |                                                                               |
|-----------------------------|--|--|-------------------------------------------------------------------------------|
| Product Standards           |  |  | IEC/EN 60947-5-1; UL 508; CAN/CSA-C22.2 No. 14-18 and No. 94.2-15; CE marking |
| UL File No.                 |  |  | E29184                                                                        |
| UL Category Control No.     |  |  | NKCR                                                                          |
| CSA File No.                |  |  | 165628                                                                        |
| CSA Class No.               |  |  | 321103                                                                        |
| North America Certification |  |  | UL listed, CSA certified                                                      |

## Dimensions



## Assets (links)

### Declaration of CE Conformity

00003256

### Instruction Leaflets

IL047016ZU2018\_06

## Additional product information (links)

### IL047016ZU RMQ compact solution

IL047016ZU RMQ compact solution

[ftp://ftp.moeller.net/DOCUMENTATION/AWA\\_INSTRUCTIONS/IL047016ZU2018\\_06.pdf](ftp://ftp.moeller.net/DOCUMENTATION/AWA_INSTRUCTIONS/IL047016ZU2018_06.pdf)