



Field bus connection Ethernet/IP for DE1, DC1

Part no. **DX-NET-ETHERNET2-2**
 Catalog No. **184969**
 Alternate Catalog No. **DX-NET-ETHERNET2-2**

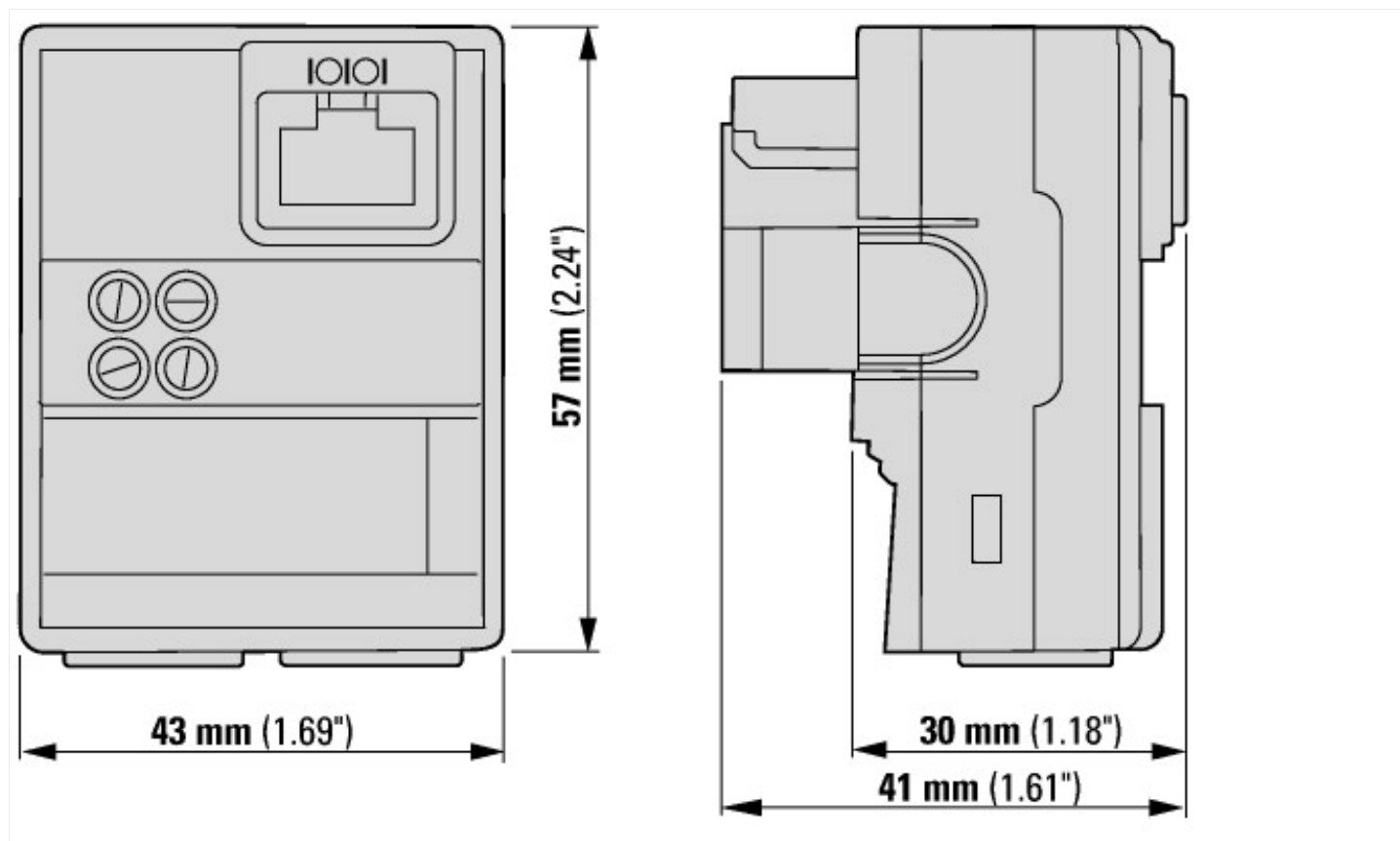
Delivery program

Bus protocol		EtherNet-IP
Description		2 x RJ45, 8 pole
For use with		DE1, DC1
Connection technique		Plug-in module (front)

Technical data ETIM 7.0

Low-voltage industrial components (EG000017) / Accessories for frequency controller (EC002025)	
Electric engineering, automation, process control engineering / Electrical drive / Static frequency converter / Static frequency converter (accessory) (ec@ss10.0.1-27-02-31-92 [AFR303003])	
Type of accessory	Communication module

Dimensions



Additional product information (links)

IL040045ZU EtherNet/IP module	
IL040045ZU EtherNet/IP module	ftp://ftp.moeller.net/DOCUMENTATION/AWA_INSTRUCTIONS/IL040045ZU2018_05.pdf