
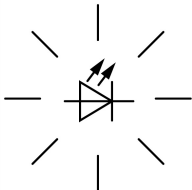




Continuous light module; yellow; LED;120 V

Part no. SL4-L120-Y
Catalog No. 171323
Alternate Catalog No. SL4-L120-Y
EL-Nummer (Norway) 4137558

Delivery program

| | | | |
|----------------------------|----------------|---|---|
| Product range | | | SL signal towers |
| Basic function | | | Continuous light module |
| Degree of Protection | | | IP66 |
| Rated operational voltage | U _e | V | 110/120 V AC |
| Type of light | | | Continuous light |
| Light elements | | | LED |
| Colour | | | |
| | | | yellow |
| | | |  |
| Function | | |  |
| Connection to SmartWire-DT | | | no |

Technical data

| | | | |
|-----------------------------|--|----|---|
| General | | | |
| Standards | | | IEC/EN 60947-5-1 |
| Climatic proofing | | | Damp heat, cyclic, to IEC 60068-2-30 |
| Mounting position | | | As required |
| Mechanical shock resistance | | g | > 15 according to IEC 60068-2-27 Shock duration 11 ms Sinusoidal |
| IEC degree of protection | | | IP66 IEC/EN 60529 |
| Protection type UL | | | Type 4, 4X, 13 |
| Material | | | Enclosure: Polycarbonate (PC), black Cap: Polycarbonate (PC) |
| Cap colour | | | yellow |
| Ambient temperature | | °C | -30 - +60 |
| Number of signal elements | | | Max. 5 with standard base Max. 10 with base for mounting on both sides |
| Weight | | g | 45 |

Contacts

| | | | |
|---------------------------------------|------------------|------|-------|
| Rated impulse withstand voltage | U _{imp} | V AC | 4000 |
| Rated insulation voltage | U _i | V | 250 |
| Overvoltage category/pollution degree | | | III/3 |

modules

| | | | |
|----------------|--|--|------------------|
| Type of light | | | Continuous light |
| Light elements | | | LED |

| | | |
|----------------------------|---|---------------------|
| Leakage current | A | < 0.003 |
| lifespan | h | > 100000 |
| Transmission angle | | 360° |
| Current-/power consumption | | |
| at 110 /120 V AC | A | 0.030 |
| Voltage range | | 110/120 V AC ± 10 % |

Design verification as per IEC/EN 61439

| | | |
|--|----|-----|
| Technical data for design verification | | |
| Operating ambient temperature min. | °C | -30 |
| Operating ambient temperature max. | °C | 60 |

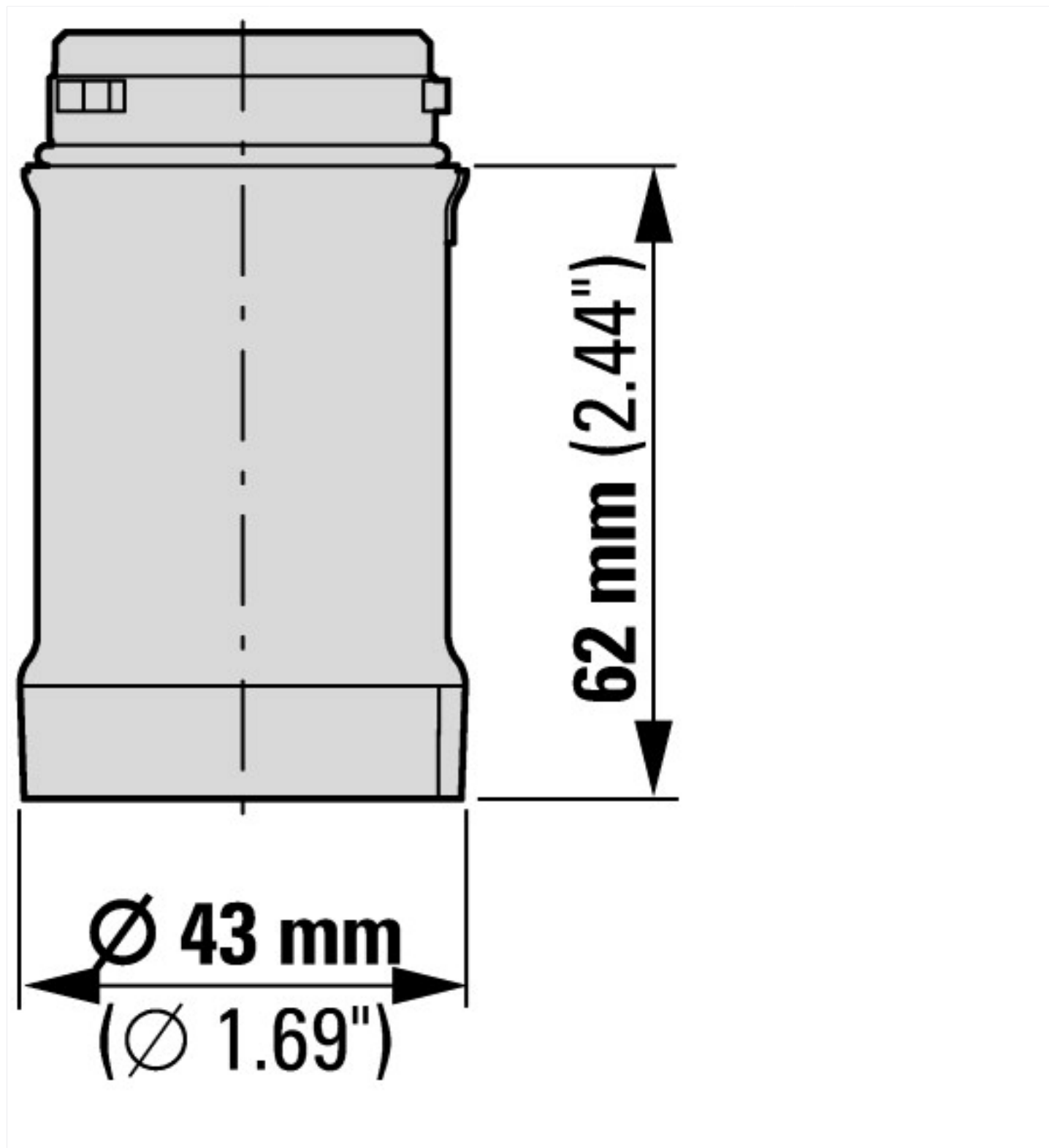
Technical data ETIM 7.0

| | | |
|---|----|------------------|
| Low-voltage industrial components (EG000017) / Optical module for signal tower (EC000232) | | |
| Electric engineering, automation, process control engineering / Low-voltage switch technology / Command and alarm device / Optical module for signal tower (ecl@ss10.0.1-27-37-12-20 [AKF038014]) | | |
| Function | | Continuous light |
| Colour | | Yellow |
| Outer diameter | mm | 43 |
| Operating voltage at AC 50 Hz | V | 110 - 120 |
| Operating voltage at AC 60 Hz | V | 110 - 120 |
| Operating voltage at DC | V | 0 - 0 |
| Voltage type | | AC |
| Lamp type | | LED |
| Colour housing | | Black |
| Degree of protection (IP) | | IP66 |
| Degree of protection (NEMA) | | 4X |

Approvals

| | | |
|-----------------------------|--|--|
| Product Standards | | IEC/EN 60947-5-1; UL 508; CSA-C22.2 No. 14-10; CSA-C22.2 No. 94-91; CE marking |
| UL File No. | | E29184 |
| UL Category Control No. | | NKCR |
| CSA File No. | | UL report applies to both US and Canada |
| CSA Class No. | | NKCR7 |
| North America Certification | | UL listed, certified by UL for use in Canada |
| Degree of Protection | | UL Type 4, 4X, 13 |

Dimensions



Assets (links)

Declaration of CE Conformity

00002899

Instruction Leaflets

IL047001ZU2018_05

Additional product information (links)

IL047001ZU SL4 Main Instruction

IL047001ZU SL4 Main Instruction

ftp://ftp.moeller.net/DOCUMENTATION/AWA_INSTRUCTIONS/IL047001ZU2018_05.pdf