



**Side mounted handle, kit, type 12 120z, size 3, UL**

**Part no.** NZM3-XSH-12-120-NA  
**Catalog No.** 155500  
**Alternate Catalog No.** NZM3-XSH-12-120-NA

**Delivery program**

|   |  |   |
|---|--|---|
| Product range   |  | Accessories   |
| Accessories   |  | side mounted handle   |
| Standard/Approval   |  | UL/CSA (keine Zulassung im Geltungsbereich der IEC/EN 60947)  |
| Construction size   |  | NZM3  |
| Description   |  | For mounting outside the control panel door<br>Used to operate a switch with a toggle lever using a Bowden cable and a mechanical system that needs to be mounted on the front end of the switch.<br>For switch with toggle lever |
| Equipment supplied  |  | Complete kit<br>Includes handle, mechanical system, and Bowden cable  |
| Function  |  | For 1 door on an American-style control panel (door plus wide bar next to door)   |
| Protection class  |  | UL/CSA Type 4X, Type 12   |
| Door interlock  |  | Lockable in the 0 position using up to 3 padlocks on the handle   |
| For use with  |  | NZM3...-NA, NS3...-NA   |
| <b>Notes</b>  |  |   |
| Caution! Intended exclusively for use outside the scope of application of IEC/EN 60947! |  |   |

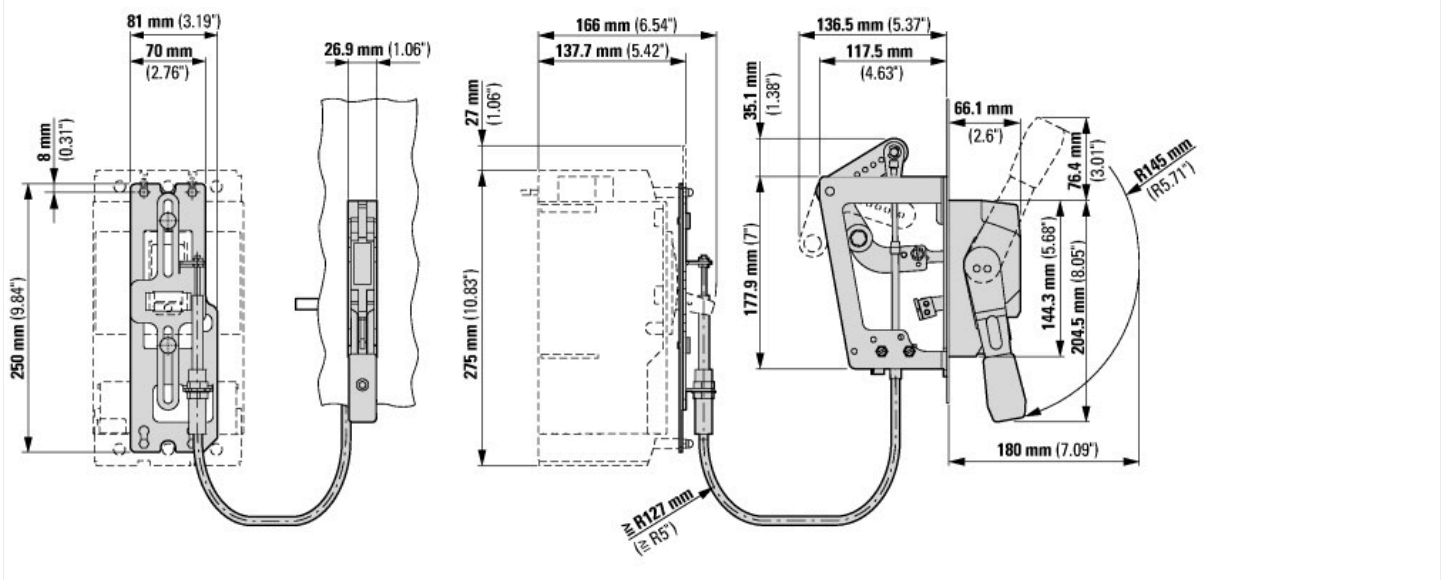
**Design verification as per IEC/EN 61439**

|  |  |  |
|--|--|--|
| IEC/EN 61439 design verification   |  |  |
| 10.2 Strength of materials and parts   |  |  |
| 10.2.2 Corrosion resistance  |  | Meets the product standard's requirements.   |
| 10.2.3.1 Verification of thermal stability of enclosures   |  | Meets the product standard's requirements.   |
| 10.2.3.2 Verification of resistance of insulating materials to normal heat   |  | Meets the product standard's requirements.   |
| 10.2.3.3 Verification of resistance of insulating materials to abnormal heat and fire due to internal electric effects |  | Meets the product standard's requirements.   |
| 10.2.4 Resistance to ultra-violet (UV) radiation   |  | Meets the product standard's requirements.   |
| 10.2.5 Lifting   |  | Does not apply, since the entire switchgear needs to be evaluated.   |
| 10.2.6 Mechanical impact   |  | Does not apply, since the entire switchgear needs to be evaluated.   |
| 10.2.7 Inscriptions  |  | Meets the product standard's requirements.   |
| 10.3 Degree of protection of ASSEMBLIES  |  | Does not apply, since the entire switchgear needs to be evaluated.   |
| 10.4 Clearances and creepage distances   |  | Meets the product standard's requirements.   |
| 10.5 Protection against electric shock   |  | Does not apply, since the entire switchgear needs to be evaluated.   |
| 10.6 Incorporation of switching devices and components   |  | Does not apply, since the entire switchgear needs to be evaluated.   |
| 10.7 Internal electrical circuits and connections  |  | Is the panel builder's responsibility.   |
| 10.8 Connections for external conductors   |  | Is the panel builder's responsibility.   |
| 10.9 Insulation properties   |  |  |
| 10.9.2 Power-frequency electric strength   |  | Is the panel builder's responsibility.   |
| 10.9.3 Impulse withstand voltage   |  | Is the panel builder's responsibility.   |
| 10.9.4 Testing of enclosures made of insulating material   |  | Is the panel builder's responsibility.   |
| 10.10 Temperature rise   |  | The panel builder is responsible for the temperature rise calculation. Eaton will provide heat dissipation data for the devices. |
| 10.11 Short-circuit rating   |  | Is the panel builder's responsibility. The specifications for the switchgear must be observed.                                   |
| 10.12 Electromagnetic compatibility  |  | Is the panel builder's responsibility. The specifications for the switchgear must be observed.                                   |
| 10.13 Mechanical function  |  | The device meets the requirements, provided the information in the instruction leaflet (IL) is observed.                         |

**Technical data ETIM 7.0**

|                                    |  |       |
|------------------------------------|--|-------|
| Lockable                           |  | Yes   |
| Colour                             |  | Black |
| Suitable for emergency stop        |  | No    |
| With extension shaft               |  | Yes   |
| Suitable for power circuit breaker |  | Yes   |
| Suitable for switch disconnecter   |  | Yes   |

## Dimensions



Flange mounted handle kit Type 12 120"