

Busbar adapter, 45 mm, 32 A, DIN rail: 1

Part no. BBA0K-32
Catalog No. 142528
Alternate Catalog No. BBA0K-32

Delivery program

Accessories			Busbar adapters
Accessories			Busbar adapters
			Approved to UL 508 Rated operational current 32 A Suitable for SASY compact busbar support BBS-3/FL-C for busbars 12 x 5 or 12 x 10 mm. For 160-mm adapter system with motor-protective circuit-breakers
For use with			Busbar adapter PKZ0, PKE
Rated operational voltage	U_e	V	690
Rated operational current	I_e	A	32
Terminal capacity			AWG 10 (6 mm ²)
Adapter width		mm	45
Adapter length		mm	161
DIN rail		Quantity	1
Adapter width		mm	45
For use with			PKZM0, PKE

Design verification as per IEC/EN 61439

Technical data for design verification			
Rated operational current for specified heat dissipation	I_n	A	32
Heat dissipation per pole, current-dependent	P_{vid}	W	0
Equipment heat dissipation, current-dependent	P_{vid}	W	2.4
Static heat dissipation, non-current-dependent	P_{vs}	W	0
Heat dissipation capacity	P_{diss}	W	0
Operating ambient temperature min.		°C	-25
Operating ambient temperature max.		°C	55
IEC/EN 61439 design verification			
10.2 Strength of materials and parts			
10.2.2 Corrosion resistance			
			Meets the product standard's requirements.
10.2.3.1 Verification of thermal stability of enclosures			
			Meets the product standard's requirements.
10.2.3.2 Verification of resistance of insulating materials to normal heat			
			Meets the product standard's requirements.
10.2.3.3 Verification of resistance of insulating materials to abnormal heat and fire due to internal electric effects			
			Meets the product standard's requirements.
10.2.4 Resistance to ultra-violet (UV) radiation			
			Meets the product standard's requirements.
10.2.5 Lifting			
			Does not apply, since the entire switchgear needs to be evaluated.
10.2.6 Mechanical impact			
			Does not apply, since the entire switchgear needs to be evaluated.
10.2.7 Inscriptions			
			Meets the product standard's requirements.
10.3 Degree of protection of ASSEMBLIES			
			Does not apply, since the entire switchgear needs to be evaluated.
10.4 Clearances and creepage distances			
			Meets the product standard's requirements.
10.5 Protection against electric shock			
			Does not apply, since the entire switchgear needs to be evaluated.
10.6 Incorporation of switching devices and components			
			Does not apply, since the entire switchgear needs to be evaluated.

10.7 Internal electrical circuits and connections			Is the panel builder's responsibility.
10.8 Connections for external conductors			Is the panel builder's responsibility.
10.9 Insulation properties			
10.9.2 Power-frequency electric strength			Is the panel builder's responsibility.
10.9.3 Impulse withstand voltage			Is the panel builder's responsibility.
10.9.4 Testing of enclosures made of insulating material			Is the panel builder's responsibility.
10.10 Temperature rise			The panel builder is responsible for the temperature rise calculation. Eaton will provide heat dissipation data for the devices.
10.11 Short-circuit rating			Is the panel builder's responsibility. The specifications for the switchgear must be observed.
10.12 Electromagnetic compatibility			Is the panel builder's responsibility. The specifications for the switchgear must be observed.
10.13 Mechanical function			The device meets the requirements, provided the information in the instruction leaflet (IL) is observed.

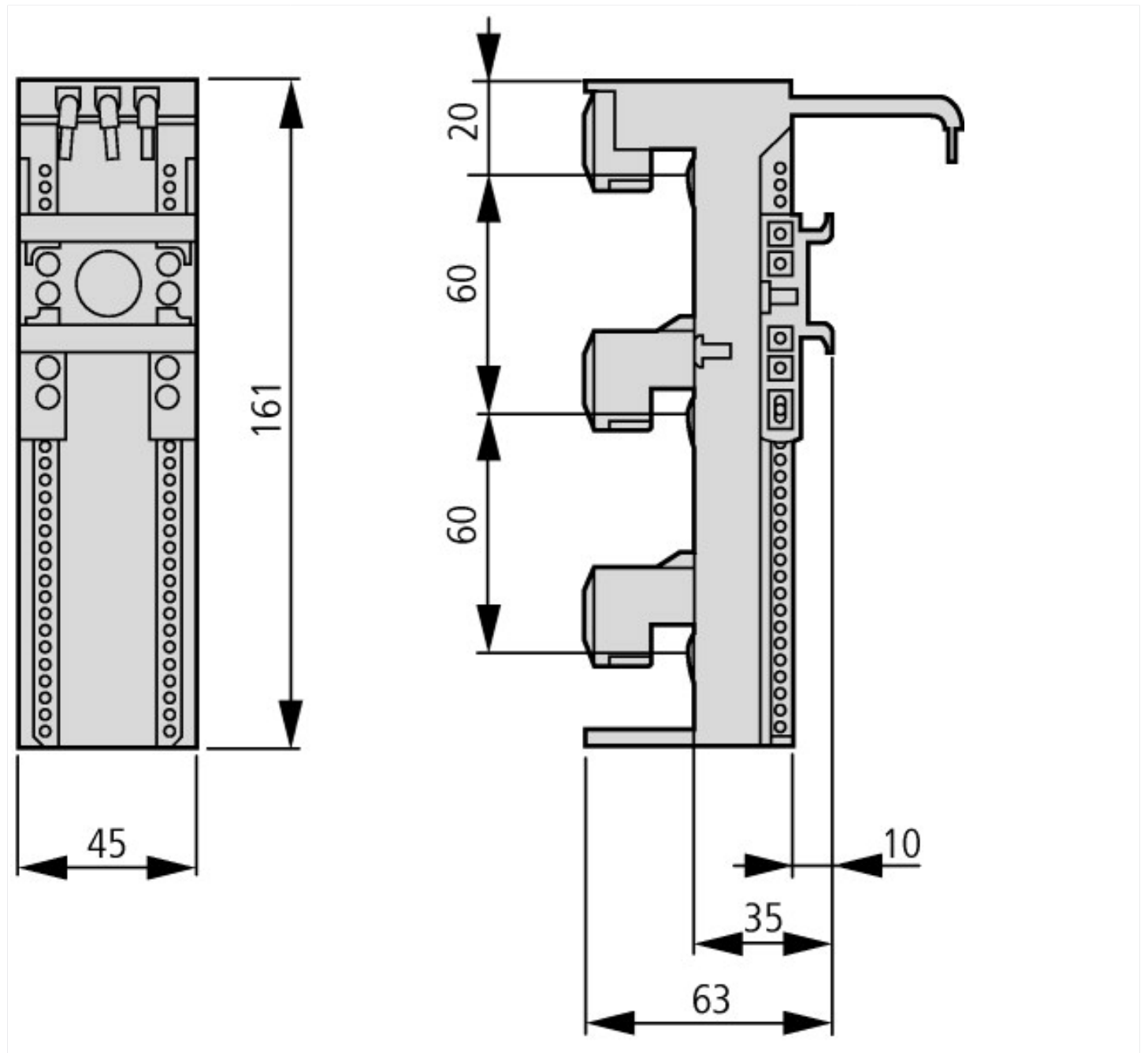
Technical data ETIM 7.0

Low-voltage industrial components (EG000017) / Busbar adapter (EC001531)			
Electric engineering, automation, process control engineering / Low-voltage switch technology / Busbar trunking system (LV circuitry) / Busbar adapter (low-voltage switching technology) (ecl@ss10.0.1-27-37-03-04 [ACN951011])			
Mounting rail armament			1 mounting rail
Type of electric connection			3 conductors AWG 10
Rated current I _n		A	32
Min. busbar thickness		mm	5
Max. busbar thickness		mm	10
Width of the adapter		mm	45
Rail width		mm	20
Busbar distance		mm	60

Approvals

Specially designed for North America			No
--------------------------------------	--	--	----

Dimensions



Assets (links)

Declaration of CE Conformity

00002871

Instruction Leaflets

IL03402015Z2018_05

Additional product information (links)

Motor starters and "Special Purpose Ratings" for the North American market

http://www.eaton.eu/ecm/groups/public/@pub/@europe/@electrical/documents/content/pct_3258146.pdf

Busbar Component Adapters for modern Industrial control panels

http://www.moeller.net/binary/ver_techpapers/ver960en.pdf