



Proximity switch, inductive, 1N/O+1N/C, S_n=40mm, 4L, 6-48VDC, NPN, PNP, cubic 80mm, M12

Part no. E56ADL40UAD01
Catalog No. 136235
Alternate Catalog No. E56ADL40UAD01
EL-Nummer (Norway) 0004315388

Delivery program

Basic function			Inductive Sensors
Product range			E56 Pancake Series
Connection			4-wire
Design (outer dimensions)		mm	79 x 79 x 39
Rated operational voltage	U _e		10 – 42 V DC
Rated switching distance	S _n	mm	40
Type of mounting			Non-flush
Switching type			NPN PNP
For connection of:			Plug-in connection M12 x 1
Contacts			
N/C = Normally closed			1 NC
N/O = Normally open			1 N/O
Material			Insulated material
Degree of Protection			IP67

Technical data

General

Standards			IEC/EN 60947-5-2
Ambient temperature			-25 - +70
Degree of Protection			IP67

Characteristics

Rated switching distance			
Rated switching distance	S _n	mm	40
Repetition accuracy of S _n		%	2
Temperature drift of S _n		%	10
Switching hysteresis of S _n		%	15
Rated operational voltage	U _e		10 – 42 V DC
Maximum load current	I _e	mA	< 300
Operating current in the switched state at 24 V DC	I _b	mA	25
Voltage drop at I _e	U _d	V	2.5
Switching Frequency		Hz	100
Min. load current	I _e	mA	1
Residual current through the load in the blocked state at 230 V AC and 24 V DC	I _r	mA	0.15
Switching state display		LED	Red
Operating voltage display		LED	Green
Protective functions			Short-circuit protective device Protection against polarity reversal
Connection			4-wire
Contacts			
N/C = Normally closed			1 NC
N/O = Normally open			1 N/O
Style			
Design (outer dimensions)		mm	79 x 79 x 39
For connection of:			Plug-in connection M12 x 1

Material		Insulated material
Surface finish		PPS

Design verification as per IEC/EN 61439

Technical data for design verification		
Operating ambient temperature min.	°C	-25
Operating ambient temperature max.	°C	70

Technical data ETIM 7.0

Sensors (EG000026) / Inductive proximity switch (EC002714)		
Electric engineering, automation, process control engineering / Binary sensor technology, safety-related sensor technology / Proximity switch / Inductive proximity switch (ec@ss10.0.1-27-27-01-01 [AGZ376015])		
Width sensor	mm	79
Height of sensor	mm	39
Length of sensor	mm	79
Diameter sensor	mm	0
Mechanical mounting condition for sensor		Not flat
Switching distance	mm	40
Suitable for safety functions		No
Type of switch function		Anticoincidence
Type of switching output		PNP/NPN
Type of electric connection		Connector M12
Number of semiconductor outputs with signalling function		1
Number of contact energized outputs with signalling function		0
Number of protected semiconductor outputs		0
Number of protected contact energized outputs		0
Type of actuation		Metallic Target
Type of interface		None
Type of interface for safety communication		None
Construction type housing		Cuboid
Coating housing		Other
Cascadable		No
Category according to EN 954-1		B
SIL according to IEC 61508		None
Performance level acc. EN ISO 13849-1		None
Max. output current at protected output	mA	0
Supply voltage	V	6 - 48
Rated control supply voltage Us at AC 50HZ	V	0 - 0
Rated control supply voltage Us at AC 60HZ	V	0 - 0
Rated control supply voltage Us at DC	V	6 - 48
Voltage type		DC
Switching frequency	Hz	100
With monitoring function downstream switching devices		No
Material housing		Plastic
Compression-resistant		No
Explosion safety category for gas		None
Explosion safety category for dust		None
Interference resistance to magnetic fields		

Approvals

Product Standards		UL 508; CSA-C22.2 No. 14; IEC60947-5-2; CE marking
UL File No.		E166051
UL Category Control No.		NRKH, NRKH7
CSA File No.		UL report applies to both Canada and US
CSA Class No.		-

North America Certification

UL listed, certified by UL for use in Canada

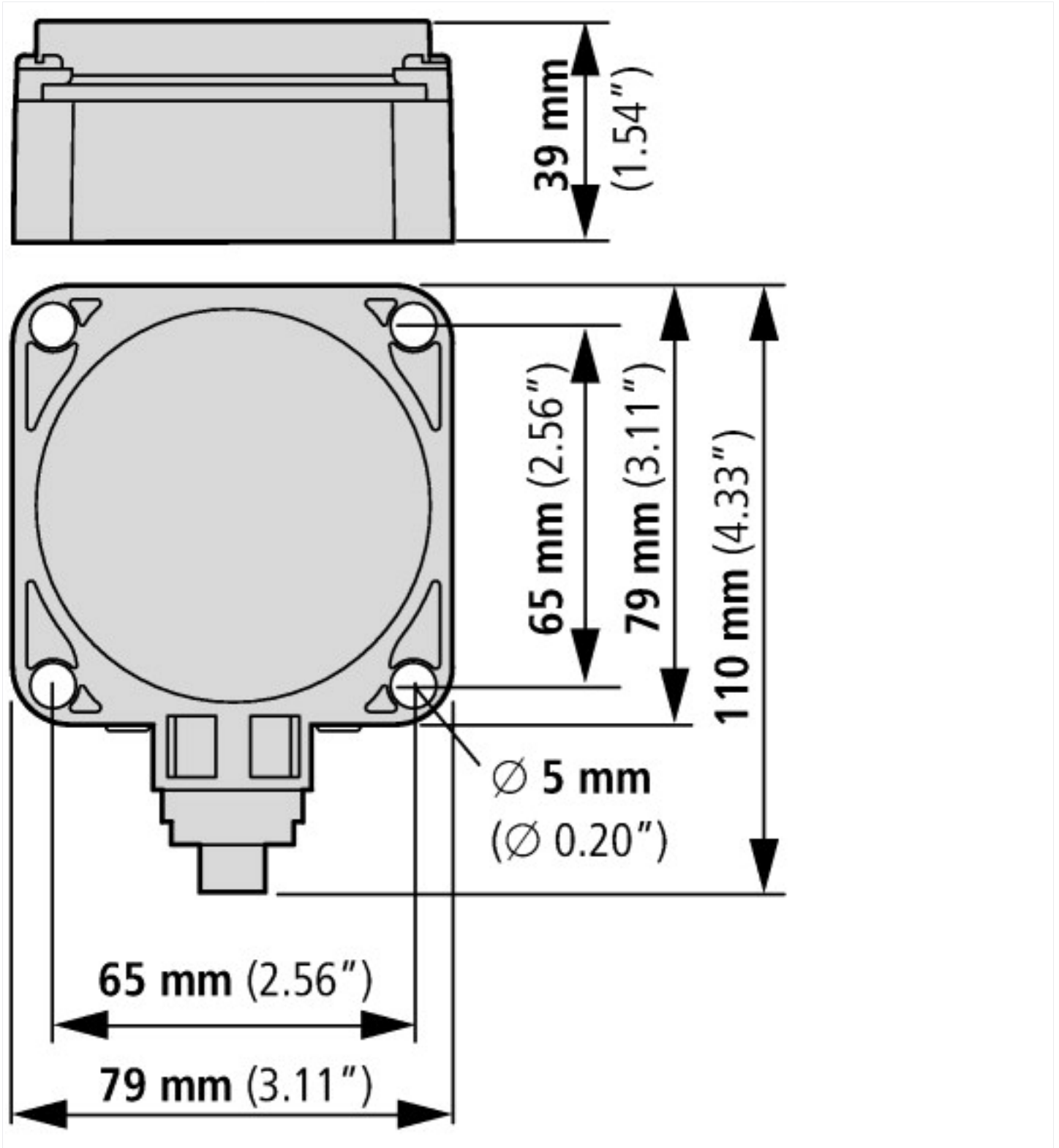
Max. Voltage Rating

48 V DC

Degree of Protection

IEC: IP67, IP69K; UL/CSA Type: 4, 4x, 6, 6P, 12, 13

Dimensions



Assets (links)

[Declaration of CE Conformity](#)

00002423

[Instruction Leaflets](#)

IL05301008Z2018_05

Additional product information (links)

[IL05301008Z E56 Series Pancake-Style Inductive Sensors](#)

