

Cable adapter, Metal, M8 sensors

Part no. **E57KC8**
 Catalog No. **136187**
 Alternate Catalog No. **E57KC8**

Delivery program

| | | | |
|---------------------|--|--|-----------------|
| Basic function | | | Accessories |
| Accessories | | | Conduit adapter |
| Material | | | Metal |
| For use with | | | |
| For use with | | | M8 sensors |

Design verification as per IEC/EN 61439

| | | | |
|--|--|----|-----|
| Technical data for design verification | | | |
| Operating ambient temperature min. | | °C | -25 |
| Operating ambient temperature max. | | °C | 70 |

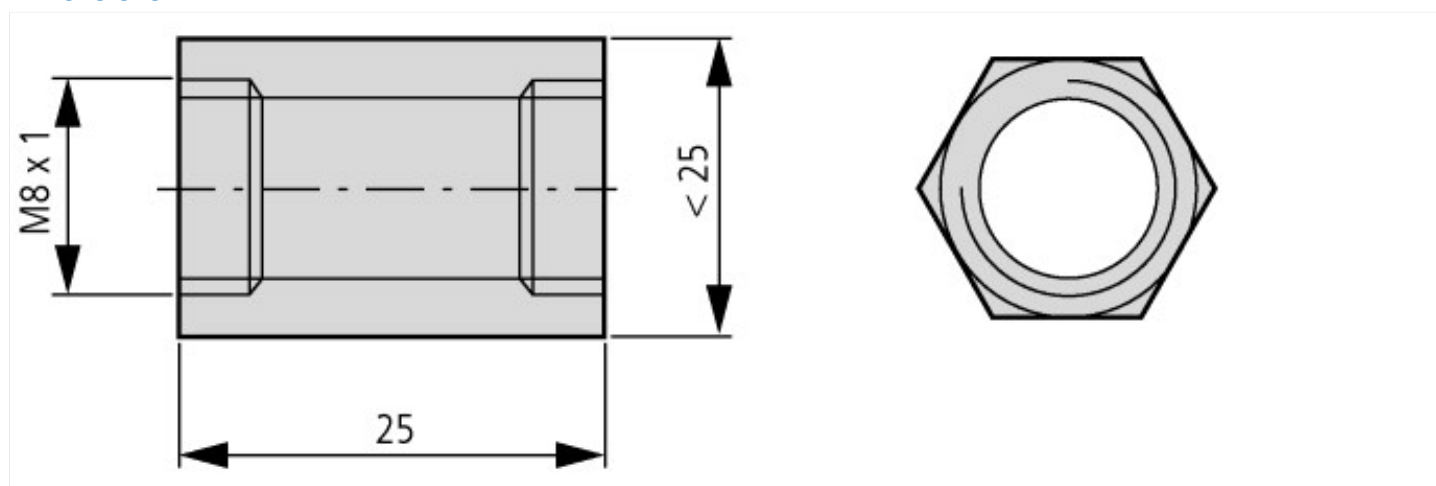
Technical data ETIM 7.0

| | | | |
|---|--|--|-------|
| Sensors (EG000026) / Accessories for position switches (EC002594) | | | |
| Electric engineering, automation, process control engineering / Binary sensor technology, safety-related sensor technology / Position switch / Position switch (accessories) (ecl@ss10.0.1-27-27-06-92 [AFR520003]) | | | |
| Type of accessory | | | Other |

Approvals

| | | | |
|-------------------|--|--|------|
| Product Standards | | | none |
|-------------------|--|--|------|

Dimensions



Assets (links)

Declaration of CE Conformity

00003158