



Proximity switch, inductive, 1N/O, S_n=10mm, 3L, 10-30VDC, NPN, M30, insulated material, line 2m

Part no. E55CAL30T110
Catalog No. 135830
Alternate Catalog No. E55CAL30T110

Delivery program

| | | | |
|---------------------------|----------------|----|-------------------------------|
| Basic function | | | Inductive Sensors |
| Product range | | | E55 Limit Switch Style Series |
| Connection | | | 3-wire |
| Design (outer dimensions) | | mm | M30 x 1.5 |
| Rated operational voltage | U _e | | 10 - 30 V DC |
| Rated switching distance | S _n | mm | 10 |
| Type of mounting | | | Flush |
| Switching type | | | NPN |
| For connection of: | | | 2 m connection cable |
| Contacts | | | |
| N/O = Normally open | | | 1 N/O |
| Material | | | Insulated material |
| Degree of Protection | | | IP66 |

Technical data

General

| | | | |
|-----------------------------|--|---|----------------------------|
| Standards | | | IEC/EN 60947-5-2 |
| Ambient temperature | | | -25 - +70 |
| Mechanical shock resistance | | g | 30 Shock duration 11 ms |
| Degree of Protection | | | IP66 |

Characteristics

| | | | |
|--|----------------|-----|---|
| Rated switching distance | | | |
| Rated switching distance | S _n | mm | 10 |
| Repetition accuracy of S _n | | % | 10 |
| Temperature drift of S _n | | % | 10 |
| Switching hysteresis of S _n | | % | 20 |
| Rated operational voltage | U _e | | 10 - 30 V DC |
| Supply frequency | | | 50 - 60 |
| Residual ripple of U _e | | % | 10 |
| Maximum load current | I _e | mA | < 200 |
| Operating current in the switched state at 24 V DC | I _b | mA | 3 |
| Voltage drop at I _e | U _d | V | 8 |
| Switching Frequency | | Hz | 300 |
| Switching state display | | LED | Red |
| Protective functions | | | Short-circuit protective device Protection against polarity reversal |
| Connection | | | 3-wire |
| Contacts | | | |
| N/O = Normally open | | | 1 N/O |
| Style | | | |
| Design (outer dimensions) | | mm | M30 x 1.5 |
| For connection of: | | | 2 m connection cable |
| Material | | | Insulated material |

Design verification as per IEC/EN 61439

| Technical data for design verification | | |
|--|----|-----|
| Operating ambient temperature min. | °C | -25 |
| Operating ambient temperature max. | °C | 70 |

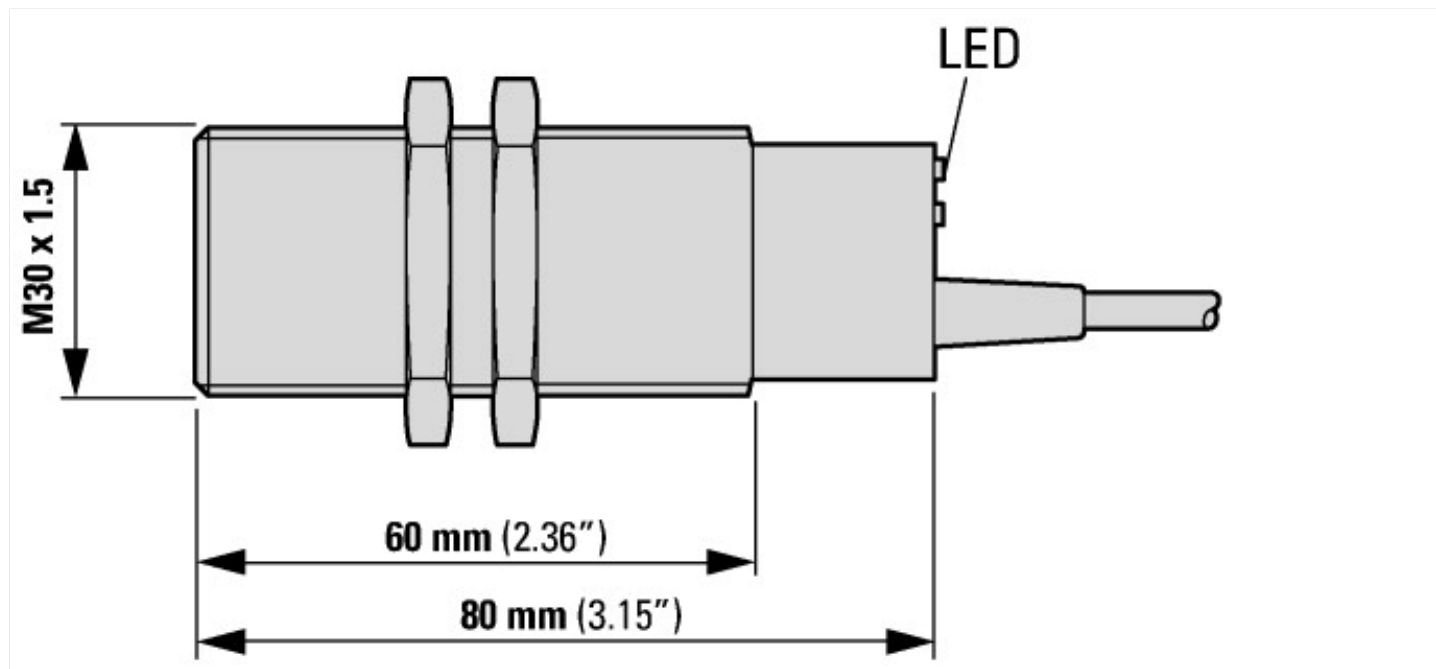
Technical data ETIM 7.0

| Sensors (EG000026) / Inductive proximity switch (EC002714) | | |
|---|----|------------------------|
| Electric engineering, automation, process control engineering / Binary sensor technology, safety-related sensor technology / Proximity switch / Inductive proximity switch (ecl@ss10.0.1-27-27-01-01 [AGZ376015]) | | |
| Width sensor | mm | 0 |
| Height of sensor | mm | 0 |
| Length of sensor | mm | 80 |
| Diameter sensor | mm | 30 |
| Mechanical mounting condition for sensor | | Concise |
| Switching distance | mm | 10 |
| Suitable for safety functions | | No |
| Type of switch function | | Normally open contact |
| Type of switching output | | NPN |
| Type of electric connection | | Cable |
| Number of semiconductor outputs with signalling function | | 1 |
| Number of contact energized outputs with signalling function | | 0 |
| Number of protected semiconductor outputs | | 0 |
| Number of protected contact energized outputs | | 0 |
| Type of actuation | | Metallic Target |
| Type of interface | | None |
| Type of interface for safety communication | | None |
| Construction type housing | | Cylinder, screw-thread |
| Coating housing | | Other |
| Cascadable | | No |
| Category according to EN 954-1 | | B |
| SIL according to IEC 61508 | | None |
| Performance level acc. EN ISO 13849-1 | | None |
| Max. output current at protected output | mA | 0 |
| Supply voltage | V | 10 - 30 |
| Rated control supply voltage Us at AC 50HZ | V | 0 - 0 |
| Rated control supply voltage Us at AC 60HZ | V | 0 - 0 |
| Rated control supply voltage Us at DC | V | 10 - 30 |
| Voltage type | | DC |
| Switching frequency | Hz | 300 |
| With monitoring function downstream switching devices | | No |
| Material housing | | Plastic |
| Compression-resistant | | No |
| Explosion safety category for gas | | None |
| Explosion safety category for dust | | None |
| Interference resistance to magnetic fields | | |

Approvals

| | | |
|----------------------|--|-----------------------------------|
| Product Standards | | CE marking |
| Max. Voltage Rating | | 30 V DC |
| Degree of Protection | | IEC: IP66; UL/CSA: NEMA 4, 4X, 13 |

Dimensions



Assets (links)

Declaration of CE Conformity

00003158

Instruction Leaflets

IL05301005Z2018_05

Additional product information (links)

IL05301005Z E55 Series Barrel-Style Inductive Sensors

IL05301005Z E55 Series Barrel-Style Inductive Sensors ftp://ftp.moeller.net/DOCUMENTATION/AWA_INSTRUCTIONS/IL05301005Z2018_05.pdf