



Diffuse reflective sensor, $S_n=200\text{mm}$, 4L, 10-30VDC, dark, NPN, PNP, quad 40, insulated material, line 2m

Part no. E65-SMSD200-HD
 Catalog No. 135726
 Alternate Catalog No. E65-SMSD200-HD

Delivery program

Basic function			Optical sensors
Product range			E65 SM Series
For connection of:			2 m connection cable
Design (outer dimensions)		mm	33 x 41 x 37
Rated operational voltage	U_e		10 - 30 V DC
Rated switching distance	S_n	mm	200
Connection			4-wire
Function			Reflected-light beam
Material			Insulated material
Switching type			NPN PNP
Switching principle			Dark switching

Information relevant for export to North America

Product Standards UL 508; CSA-C22.2 No. 14; IEC60947-5-2; CE marking

UL File No. E166051

UL Category Control No. NRKH, NRKH7

CSA File No. UL report applies to both Canada and US

CSA Class No. –

North America Certification UL listed, certified by UL for use in Canada

Max. Voltage Rating 30 V DC

Degree of Protection IEC: IP68, IP69K; UL/CSA Type: 1, 3, 4, 4x, 6, 6P, 12, 13

Technical data

General

Standards			IEC/EN 60947-5-2
Ambient temperature			-25 - +55
Operation	θ	°C	-25 - +55
Storage	θ	°C	-25 - +70
Mechanical shock resistance		g	50 Shock duration 10 ms
Degree of Protection			IP68, IP69

Characteristics

Rated switching distance			
Rated switching distance	S_n	mm	200
Range		mm	0.2
Rated operational voltage	U_e		10 - 30 V DC
Maximum load current	I_e	mA	< 100
Operating current in the switched state at 24 V DC	I_b	mA	20
Response time		ms	1
Switching state display		LED	Red
Operating voltage display		LED	Green
Boundary gain			Yellow
Protective functions			Short-circuit protective device Protection against polarity reversal Protection against wire breakage
Connection			4-wire

Style		
Design (outer dimensions)	mm	33 x 41 x 37
For connection of:		2 m connection cable
Material		Insulated material

Design verification as per IEC/EN 61439

Technical data for design verification		
Operating ambient temperature min.	°C	-25
Operating ambient temperature max.	°C	55

Technical data ETIM 7.0

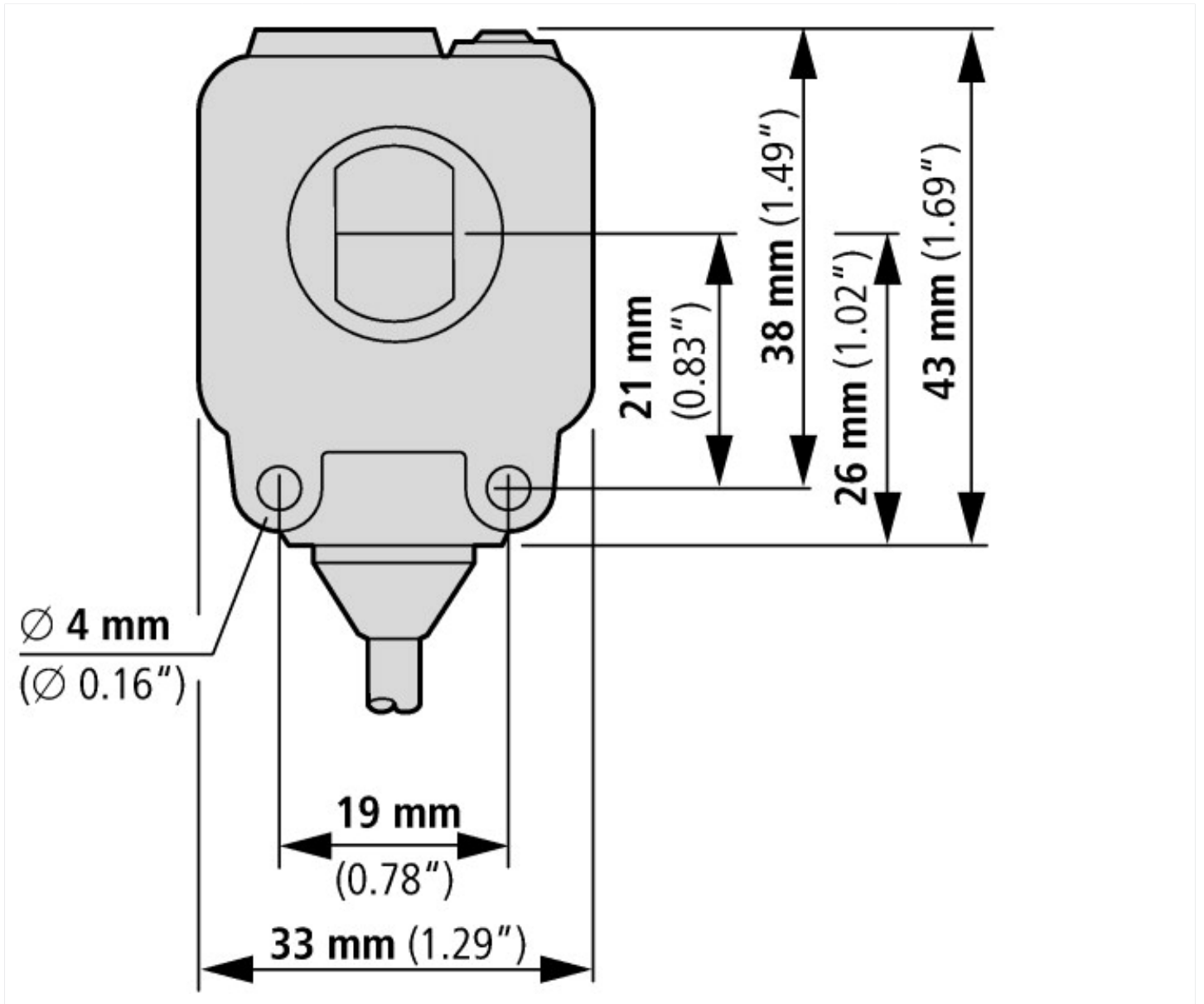
Sensors (EG000026) / Light scanner, energetic (EC001821)		
Electric engineering, automation, process control engineering / Binary sensor technology, safety-related sensor technology / Optoelectronic sensor / Light scanner, energetic (ecl@ss10.0.1-27-27-09-03 [AKP252013])		
Operating distance	mm	0 - 0
Pre failure notice		No
With time function		No
Max. switching distance	mm	200
Max. output current	mA	100
Reflector included		No
Analogue output 0 V ... 10 V		No
Analogue output 0 mA ... 20 mA		No
Analogue output 4 mA ... 20 mA		No
Analogue output -10 V ... +10 V		No
With other analogue output		No
Setting procedure		Other
With communication interface analogue		No
With communication interface AS-Interface		No
With communication interface CANOpen		No
With communication interface DeviceNet		No
With communication interface Ethernet		No
With communication interface INTERBUS		No
With communication interface PROFIBUS		No
With communication interface RS-232		No
With communication interface RS-422		No
With communication interface RS-485		No
With communication interface SSD		No
With communication interface SSI		No
Number of semiconductor outputs with signalling function		2
Number of contact energized outputs with signalling function		0
Number of protected semiconductor outputs		0
Number of protected contact energized outputs		0
Type of interface for safety communication		Other
Type of electric connection		Cable
Type of switching output		PNP/NPN
Type of switch function		Other
Operation agent-safety class		Safety class 2
Explosion safety category for gas		None
Explosion safety category for dust		None
Construction type housing		Cuboid
Width sensor	mm	33
Diameter sensor	mm	0
Height of sensor	mm	43
Length of sensor	mm	41
Sensing mode		Dark switching
Material of optical surface		Plastic

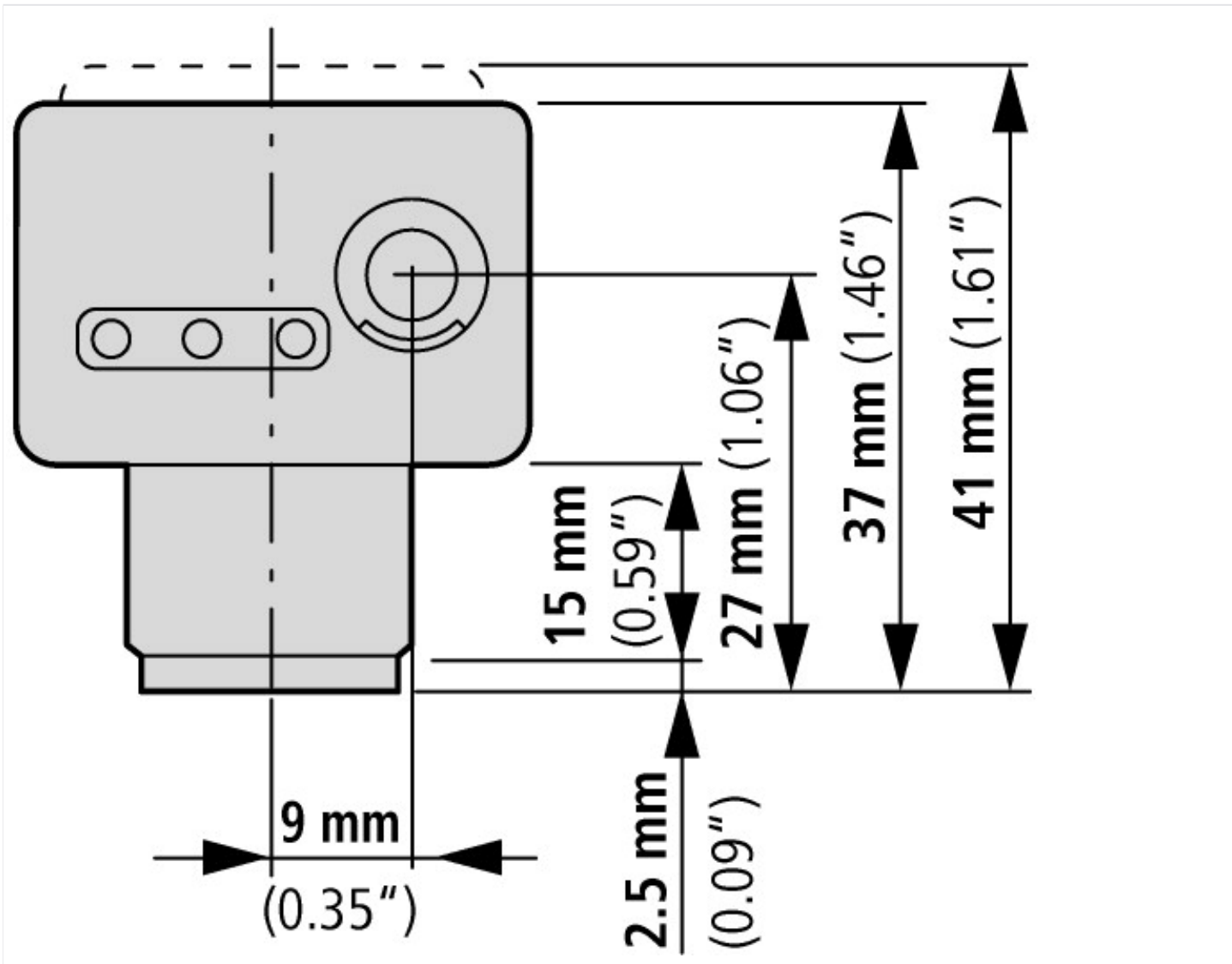
Material housing		Plastic
Max. output current at protected output	mA	0
Min. reflector distance	mm	0
Time of reaction	ms	1
Transmission range of the safety field	m	0
Switching frequency	Hz	500
Type of safety acc. IEC 61496-1		
"Switching voltage of OSSD at state ""high""	V	30
Voltage type		DC
With monitoring function downstream switching devices		No
Laser protection class		None
Wavelength of the sensor	nm	660
Type of light		Polarity free red light
Light dot	mm ²	0
AWG-number		22
Material of cable sheath		Polyvinyl chloride (PVC)
With restart blockage		No
Suitable for safety functions		No
Degree of protection (IP)		IP67
Degree of protection (NEMA)		6P
Ambient temperature	°C	25 - 55
Rated control supply voltage Us at AC 50HZ	V	0 - 0
Rated control supply voltage Us at AC 60HZ	V	0 - 0
Rated control supply voltage Us at DC	V	10 - 30

Approvals

Product Standards		UL 508; CSA-C22.2 No. 14; IEC60947-5-2; CE marking
UL File No.		E166051
UL Category Control No.		NRKH, NRKH7
CSA File No.		UL report applies to both Canada and US
CSA Class No.		–
North America Certification		UL listed, certified by UL for use in Canada
Max. Voltage Rating		30 V DC
Degree of Protection		IEC: IP68, IP69K; UL/CSA Type: 1, 3, 4, 4x, 6, 6P, 12, 13

Dimensions





Assets (links)

Declaration of CE Conformity

00002426

Instruction Leaflets

IL05305004Z2018_05

Additional product information (links)

IL05305004Z E65 SM Series Optical Sensors

IL05305004Z E65 SM Series Optical Sensors ftp://ftp.moeller.net/DOCUMENTATION/AWA_INSTRUCTIONS/IL05305004Z2018_05.pdf