



Proximity switch, capacitive,  $S_n=25\text{mm}$ , 1 N/C, 3L, NPN, M34, insulated material, line 2m

**Part no.** E53KBL34T110  
**Catalog No.** 134817  
**Alternate Catalog No.** E53KBL34T110

### Delivery program

|                           |       |    |                       |
|---------------------------|-------|----|-----------------------|
| Basic function            |       |    | Capacitive sensors    |
| Product range             |       |    | E53 Capacitive Series |
| Connection                |       |    | 3-wire                |
| Design (outer dimensions) |       | mm | 34 $\varnothing$      |
| Rated operational voltage | $U_e$ |    | 10 - 30 V DC          |
| Rated switching distance  | $S_n$ | mm | 25                    |
| Type of mounting          |       |    | Flush                 |
| Switching type            |       |    | NPN                   |
| For connection of:        |       |    | 2 m connection cable  |
| <b>Contacts</b>           |       |    |                       |
| N/C = Normally closed     |       |    | 1 NC                  |
| Material                  |       |    | Insulated material    |
| Degree of Protection      |       |    | IP65                  |

### Technical data

#### General

|                             |  |   |                            |
|-----------------------------|--|---|----------------------------|
| Standards                   |  |   | IEC/EN 60947-5-2-EMC       |
| Ambient temperature         |  |   | -25 - +70                  |
| Mechanical shock resistance |  | g | 30<br>Shock duration 11 ms |
| Degree of Protection        |  |   | IP65                       |

#### Characteristics

|                               |       |     |                      |
|-------------------------------|-------|-----|----------------------|
| Rated switching distance      |       |     |                      |
| Rated switching distance      | $S_n$ | mm  | 25                   |
| Repetition accuracy of $S_n$  |       | %   | 10                   |
| Temperature drift of $S_n$    |       | %   | 10                   |
| Switching hysteresis of $S_n$ |       | %   | 20                   |
| Rated operational voltage     | $U_e$ |     | 10 - 30 V DC         |
| Residual ripple of $U_e$      |       | %   | 10                   |
| Maximum load current          | $I_e$ | mA  | < 300                |
| Switching Frequency           |       | Hz  | 250                  |
| Switching state display       |       | LED | Red                  |
| Connection                    |       |     | 3-wire               |
| Contacts                      |       |     |                      |
| N/C = Normally closed         |       |     | 1 NC                 |
| Style                         |       |     |                      |
| Design (outer dimensions)     |       | mm  | 34 $\varnothing$     |
| For connection of:            |       |     | 2 m connection cable |
| Material                      |       |     | Insulated material   |

### Design verification as per IEC/EN 61439

|                                        |  |    |     |
|----------------------------------------|--|----|-----|
| Technical data for design verification |  |    |     |
| Operating ambient temperature min.     |  | °C | -25 |
| Operating ambient temperature max.     |  | °C | 70  |

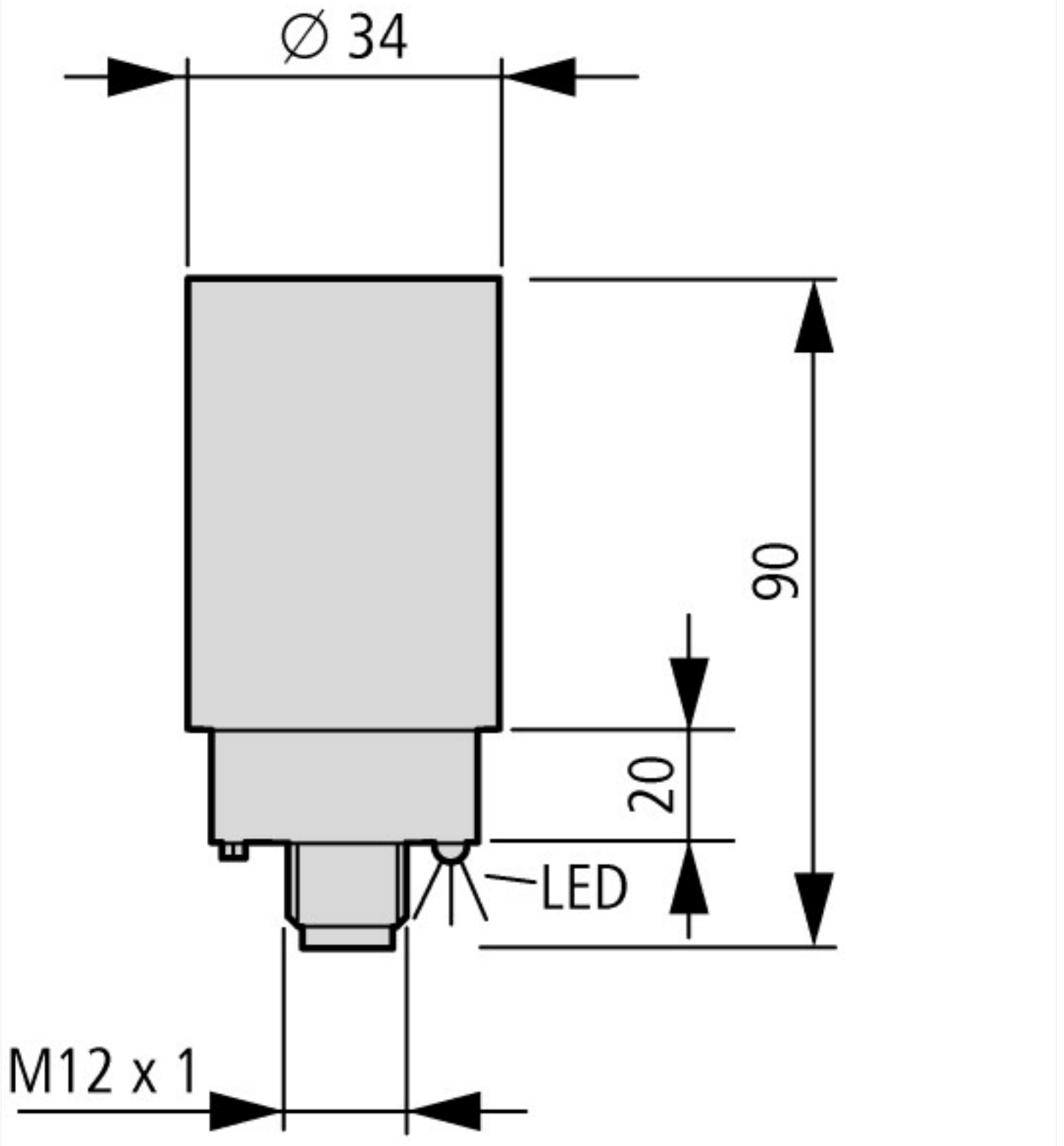
## Technical data ETIM 7.0

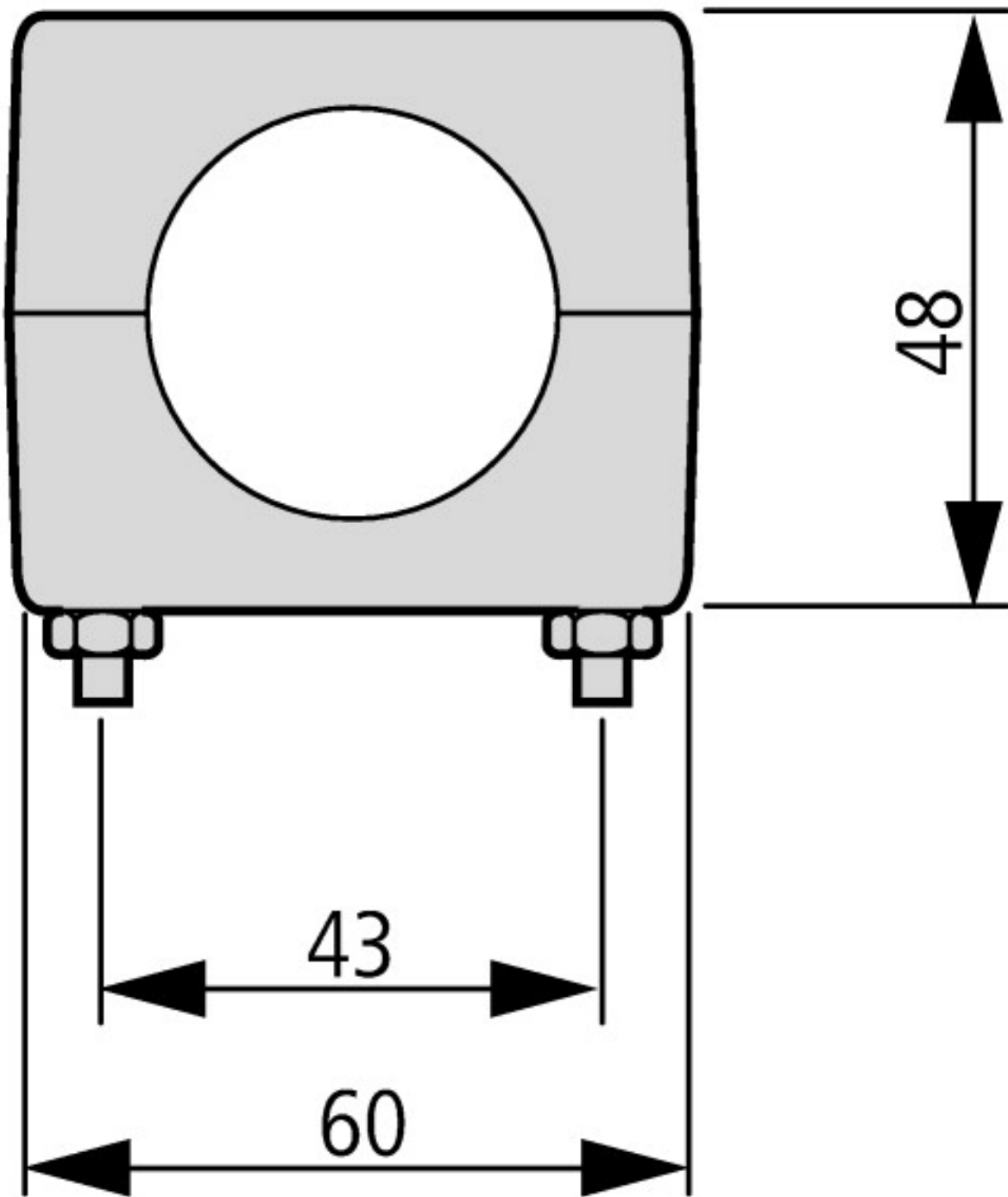
| Sensors (EG000026) / Capacitive proximity switch (EC002715)                                                                                                                                                        |    |                 |
|--------------------------------------------------------------------------------------------------------------------------------------------------------------------------------------------------------------------|----|-----------------|
| Electric engineering, automation, process control engineering / Binary sensor technology, safety-related sensor technology / Proximity switch / Capacitive proximity switch (ecl@ss10.0.1-27-27-01-02 [AGZ377015]) |    |                 |
| Width sensor                                                                                                                                                                                                       | mm | 0               |
| Height of sensor                                                                                                                                                                                                   | mm | 0               |
| Length of sensor                                                                                                                                                                                                   | mm | 80              |
| Diameter sensor                                                                                                                                                                                                    | mm | 34              |
| Mechanical mounting condition for sensor                                                                                                                                                                           |    | Concise         |
| Switching distance                                                                                                                                                                                                 | mm | 25              |
| Suitable for safety functions                                                                                                                                                                                      |    | No              |
| Type of switch function                                                                                                                                                                                            |    | Breaker contact |
| Type of switching output                                                                                                                                                                                           |    | NPN             |
| Type of electric connection                                                                                                                                                                                        |    | Cable           |
| Number of semiconductor outputs with signalling function                                                                                                                                                           |    | 1               |
| Number of contact energized outputs with signalling function                                                                                                                                                       |    | 0               |
| Number of protected semiconductor outputs                                                                                                                                                                          |    | 0               |
| Number of protected contact energized outputs                                                                                                                                                                      |    | 0               |
| Type of actuation                                                                                                                                                                                                  |    | Other           |
| Type of interface                                                                                                                                                                                                  |    | None            |
| Type of interface for safety communication                                                                                                                                                                         |    | None            |
| Construction type housing                                                                                                                                                                                          |    | Cylinder plain  |
| Coating housing                                                                                                                                                                                                    |    | Other           |
| Cascadable                                                                                                                                                                                                         |    | No              |
| Category according to EN 954-1                                                                                                                                                                                     |    | B               |
| SIL according to IEC 61508                                                                                                                                                                                         |    | None            |
| Performance level acc. EN ISO 13849-1                                                                                                                                                                              |    | None            |
| Max. output current at protected output                                                                                                                                                                            | mA | 0               |
| Supply voltage                                                                                                                                                                                                     | V  | 10 - 30         |
| Rated control supply voltage Us at AC 50HZ                                                                                                                                                                         | V  | 0 - 0           |
| Rated control supply voltage Us at AC 60HZ                                                                                                                                                                         | V  | 0 - 0           |
| Rated control supply voltage Us at DC                                                                                                                                                                              | V  | 10 - 30         |
| Voltage type                                                                                                                                                                                                       |    | DC              |
| Switching frequency                                                                                                                                                                                                | Hz | 250             |
| With monitoring function downstream switching devices                                                                                                                                                              |    | No              |
| With status indication                                                                                                                                                                                             |    | Yes             |
| Material housing                                                                                                                                                                                                   |    | Plastic         |
| Compression-resistant                                                                                                                                                                                              |    | No              |
| Explosion safety category for gas                                                                                                                                                                                  |    | None            |
| Explosion safety category for dust                                                                                                                                                                                 |    | None            |

## Approvals

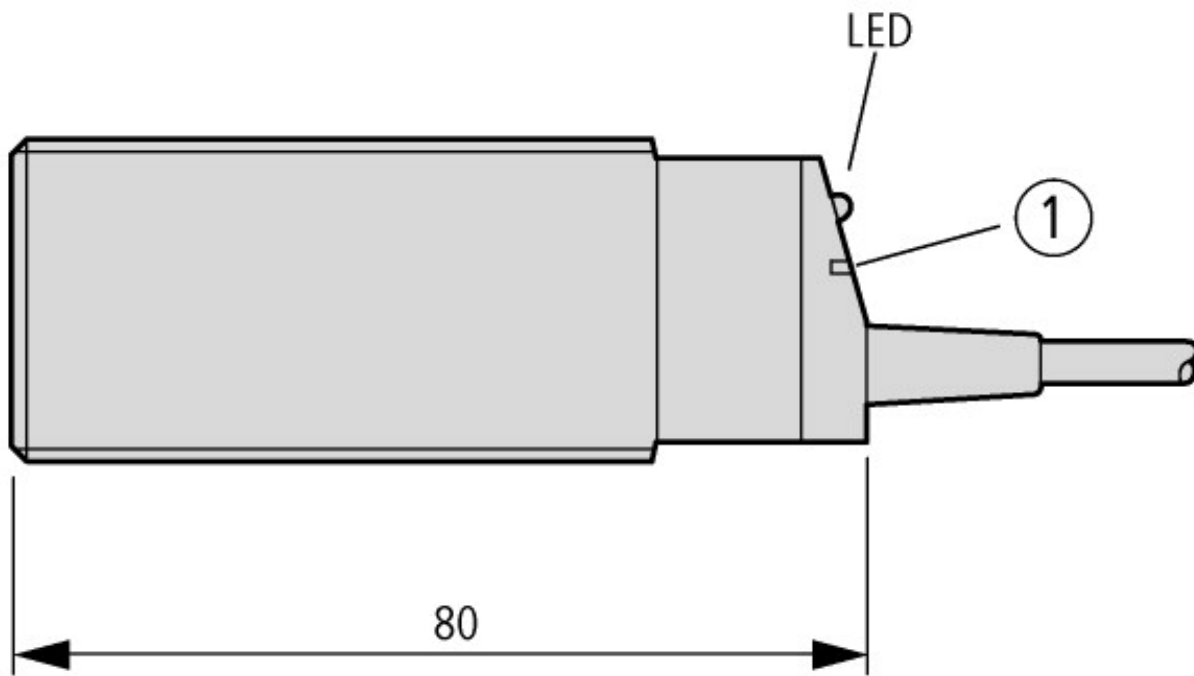
|                      |  |                                   |
|----------------------|--|-----------------------------------|
| Product Standards    |  | CE marking                        |
| Max. Voltage Rating  |  | 250 V AC, 30 V DC                 |
| Degree of Protection |  | IEC: IP65; UL/CSA: NEMA 4, 12, 13 |

## Dimensions





Fixing bracket included as standard



① Sensitivity setting

## Assets (links)

### Declaration of CE Conformity

00003141

### Instruction Leaflets

IL05307002Z2018\_05

## Additional product information (links)

### IL05307002Z E53 Series Capacitive Sensors

IL05307002Z E53 Series Capacitive Sensors [ftp://ftp.moeller.net/DOCUMENTATION/AWA\\_INSTRUCTIONS/IL05307002Z2018\\_05.pdf](ftp://ftp.moeller.net/DOCUMENTATION/AWA_INSTRUCTIONS/IL05307002Z2018_05.pdf)