



**Key-operated actuator, RMQ Compact, maintained, 1 NC, Screw connection, 2 positions, Ronis 455, Bezel: titanium**

**Part no. C22-WRS-RS-K01**  
**Catalog No. 132848**  
**Alternate Catalog No. C22-WRS-RS-K01**

### Delivery program

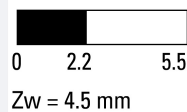
|   |    |  |  |
|---|----|--|--|
| Product range   |    |  | RMQ Compact  |
| Basic function  |    |  | Key-operated buttons   |
| Single unit/Complete unit   |    |  | Complete unit<br>maintained  |
| <b>Function:</b>  |    |  |  |
|   |    |  | 60°  |
| Connection type   |    |  | Screw connection<br>Not suitable for master key systems<br>2 positions |
| Lock mechanism  |    |  | Ronis 455  |
| <b>Key withdrawable in position</b>   |    |  |  |
|   |    |  | 1  |
|   |    |  | 0  |
| Degree of Protection  |    |  | IP66   |
| Front ring  |    |  | Bezel: titanium  |
| Connection to SmartWire-DT  |    |  | no   |
| <b>Contacts</b>   |    |  |  |
| N/C = Normally closed   |    |  | 1 NC   |
| Notes   |    |  | = safety function, by positive opening to IEC/EN 60947-5-1             |
| <b>Actuator travel and actuation force as per DIN EN 60947-5-1, K.5.4.1</b> |    |  |  |
|   | mm |  | 4.65   |
| Maximum travel  | mm |  | 5.7  |
| Minimum force for positive opening  | N  |  | 15   |

Contact sequence



Contact travel  = Contact closed  = Contact open

Contact diagram



Positive opening (ZW)

yes

Information about equipment supplied

With 1 key

## Technical data

### General

|                                      |              |                 |  |
|--------------------------------------|--------------|-----------------|--|
| Standards                            |              |                 | IEC/EN 60947-5-1<br>VDE 0660   |
| Lifespan, mechanical                 | Operations   | $\times 10^6$   | > 0.1  |
| Operating frequency                  | Operations/h |                 | $\leq 100$   |
| Operating torque                     |              | Nm              | $\leq 0.5$   |
| Climatic proofing                    |              |                 | Damp heat, constant, to IEC 60068-2-78<br>Damp heat, cyclic, to IEC 60068-2-30 |
| Degree of Protection                 |              |                 | IP66   |
| Mounting position                    |              |                 | As required  |
| Terminal capacities                  |              | mm <sup>2</sup> |  |
| Solid                                |              | mm <sup>2</sup> | 2 x 0.5 - 1.5  |
| Flexible with ferrule                |              | mm <sup>2</sup> | 2 x 0.5 - 1.5  |
| Tightening torque for terminal screw |              | Nm              | 0.8  |

### Contacts

|   |           |      |       |
|---|-----------|------|-------|
| Rated impulse withstand voltage         | $U_{imp}$ | V AC | 4000  |
| Rated insulation voltage                | $U_i$     | V    | 250   |
| Rated conditional short-circuit current | $I_q$     | kA   | 1     |
| Overvoltage category/pollution degree   |           |      | III/3 |
| Control circuit reliability             |           |      |       |

|                                      |                |                   |               |
|--------------------------------------|----------------|-------------------|---------------|
| at 24 V DC/5 mA                      | H <sub>F</sub> | Fault probability | values follow |
| at 5 V DC/1 mA                       | H <sub>F</sub> | Fault probability | values follow |
| Max. short-circuit protective device |                |                   |               |
| Fuse                                 | gG/gL          | A                 | 10            |

## Technical data ETIM 7.0

Low-voltage industrial components (EG000017) / Selector switch, complete (EC001029)

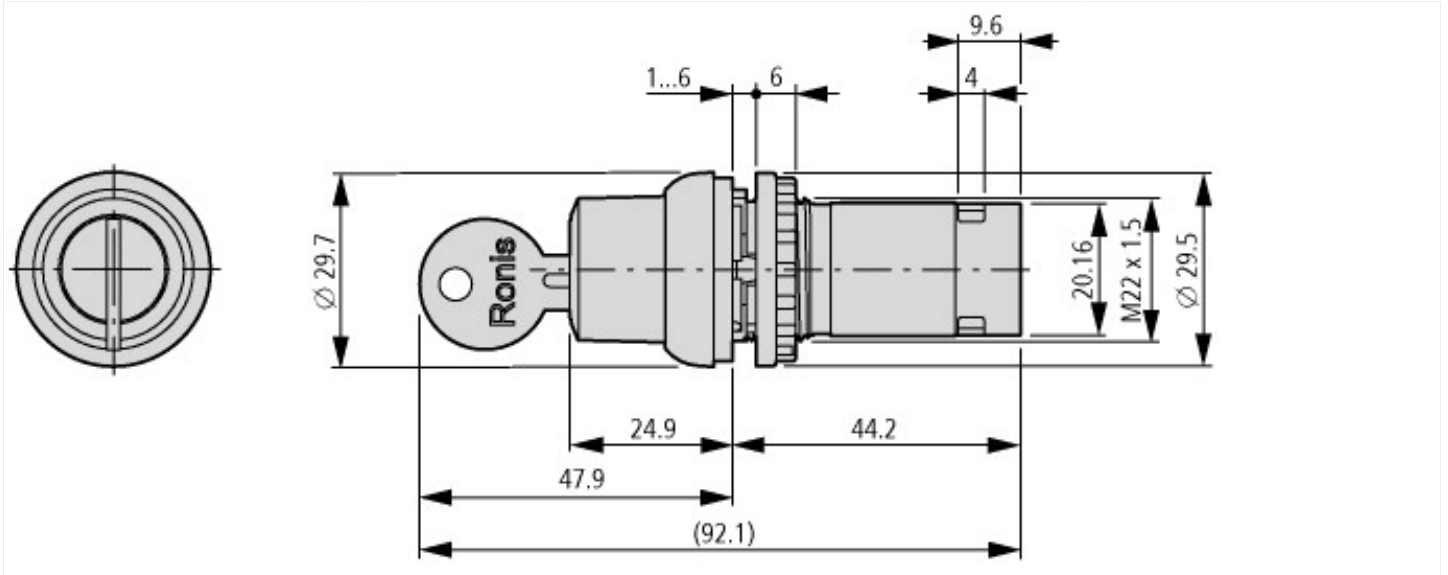
Electric engineering, automation, process control engineering / Low-voltage switch technology / Command and alarm device / Selector switch, complete unit (ecl@ss10.0.1-27-37-12-43 [ACN984011])

|   |  |    |                  |
|---|--|----|------------------|
| Number of switch positions                    |  |    | 2                |
| Type of control element                       |  |    | Key              |
| Suitable for illumination                     |  |    | No               |
| With light source                             |  |    | No               |
| Colour button                                 |  |    | Black            |
| Hole diameter                                 |  | mm | 22.5             |
| Width opening                                 |  | mm | 0                |
| Height opening                                |  | mm | 0                |
| Switching function latching                   |  |    | Yes              |
| Spring-return                                 |  |    | No               |
| Degree of protection (IP)                     |  |    | IP66             |
| Degree of protection (NEMA)                   |  |    |                  |
| Supply voltage                                |  | V  | 0 - 0            |
| Number of contacts as normally open contact   |  |    | 0                |
| Number of contacts as normally closed contact |  |    | 1                |
| Number of contacts as change-over contact     |  |    | 0                |
| Type of electric connection                   |  |    | Screw connection |
| With front ring                               |  |    | Yes              |
| Material front ring                           |  |    | Plastic          |
| Colour front ring                             |  |    | Other            |

## Approvals

|                             |  |  |  |
|-----------------------------|--|--|--|
| Product Standards           |  |  | IEC/EN 60947-5-1; UL 508; CAN/CSA-C22.2 No. 14-05 und 94-M91; CE marking |
| UL File No.                 |  |  | E29184   |
| UL Category Control No.     |  |  | NKCR   |
| CSA File No.                |  |  | 165628   |
| CSA Class No.               |  |  | 321103   |
| North America Certification |  |  | UL listed, CSA certified   |
| Degree of Protection        |  |  | 1,3R,4X,12,13  |

## Dimensions



## Additional product information (links)

IL04716025Z RMQ-Titan: compact programm

IL04716025Z RMQ-Titan: compact programm [https://es-assets.eaton.com/DOCUMENTATION/AWA\\_INSTRUCTIONS/IL04716025Z2021\\_05.pdf](https://es-assets.eaton.com/DOCUMENTATION/AWA_INSTRUCTIONS/IL04716025Z2021_05.pdf)