



Changeover switch, With thumb-grip, maintained, 1 NC, 1 N/O, Screw connection, 2 positions, Bezel: titanium

Part no. C22-WRK-K11  
 Catalog No. 132530  
 Alternate Catalog No. C22-WRK-K11

### Delivery program

|   |    |  |  |
|---|----|--|--|
| Product range   |    |  | RMQ Compact  |
| Basic function  |    |  | Selector switch actuators                                  |
| Single unit/Complete unit   |    |  | Complete unit  |
| Design  |    |  | With thumb-grip<br>maintained                              |
| <b>Function:</b>  |    |  |  |
|   |    |  | ↙ 60°  |
| Connection type   |    |  | Screw connection<br>2 positions                            |
| Degree of Protection  |    |  | IP65   |
| Front ring  |    |  | Bezel: titanium  |
| Connection to SmartWire-DT  |    |  | no   |
| <b>Contacts</b>   |    |  |  |
| N/C = Normally closed   |    |  | 1 NC   |
| N/O = Normally open   |    |  | 1 N/O  |
| Notes   |    |  | = safety function, by positive opening to IEC/EN 60947-5-1 |
| <b>Actuator travel and actuation force as per DIN EN 60947-5-1, K.5.4.1</b> |    |  |  |
|   | mm |  | 4.65   |
| Maximum travel  | mm |  | 5.7  |
| Minimum force for positive opening  | N  |  | 20   |
| Contact sequence  |    |  |  |
| <b>Contact travel  = Contact closed  = Contact open</b>                     |    |  |  |
| Contact diagram   |    |  |  |
| Positive opening (ZW)   |    |  | yes  |

### Technical data

|                      |              |               |                              |
|----------------------|--------------|---------------|------------------------------|
| <b>General</b>       |              |               |                              |
| Standards            |              |               | IEC/EN 60947-5-1<br>VDE 0660 |
| Lifespan, mechanical | Operations   | $\times 10^6$ | > 1                          |
| Operating frequency  | Operations/h |               | $\leq 2000$                  |

|                                      |  |                 |  |
|--------------------------------------|--|-----------------|--|
| Operating torque                     |  | Nm              | ≤ 0.3  |
| Climatic proofing                    |  |                 | Damp heat, constant, to IEC 60068-2-78<br>Damp heat, cyclic, to IEC 60068-2-30 |
| Degree of Protection                 |  |                 | IP65   |
| Mounting position                    |  |                 | As required  |
| Terminal capacities                  |  | mm <sup>2</sup> |  |
| Solid                                |  | mm <sup>2</sup> | 2 x 0.5 - 1.5  |
| Flexible with ferrule                |  | mm <sup>2</sup> | 2 x 0.5 - 1.5  |
| Tightening torque for terminal screw |  | Nm              | 0.8  |

## Contacts

|   |                  |                   |               |
|---|------------------|-------------------|---------------|
| Rated impulse withstand voltage         | U <sub>imp</sub> | V AC              | 4000          |
| Rated insulation voltage                | U <sub>i</sub>   | V                 | 250           |
| Rated conditional short-circuit current | I <sub>q</sub>   | kA                | 1             |
| Overvoltage category/pollution degree   |                  |                   | III/3         |
| Control circuit reliability             |                  |                   |               |
| at 24 V DC/5 mA                         | H <sub>F</sub>   | Fault probability | values follow |
| at 5 V DC/1 mA                          | H <sub>F</sub>   | Fault probability | values follow |
| Max. short-circuit protective device    |                  |                   |               |
| Fuse                                    | gG/gL            | A                 | 10            |

## Technical data ETIM 7.0

Low-voltage industrial components (EG000017) / Selector switch, complete (EC001029)

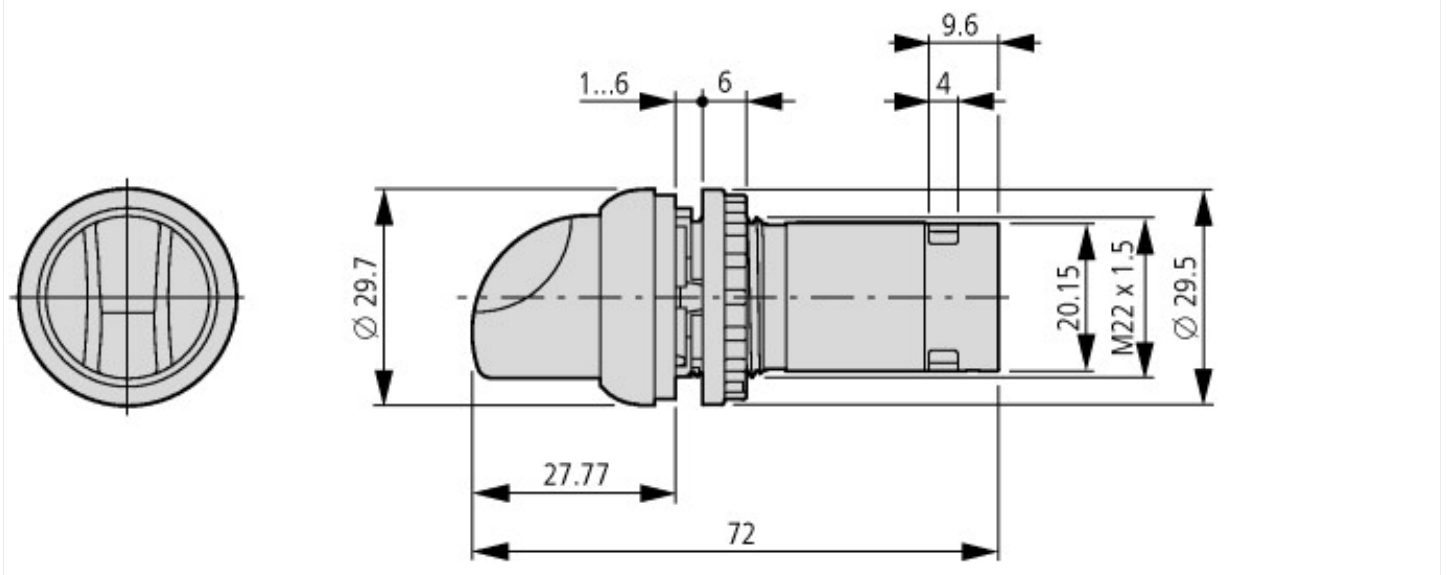
Electric engineering, automation, process control engineering / Low-voltage switch technology / Command and alarm device / Selector switch, complete unit (ecl@ss10.0.1-27-37-12-43 [ACN984011])

|   |  |    |                  |
|---|--|----|------------------|
| Number of switch positions                    |  |    | 2                |
| Type of control element                       |  |    | Toggle           |
| Suitable for illumination                     |  |    | No               |
| With light source                             |  |    | No               |
| Colour button                                 |  |    | Black            |
| Hole diameter                                 |  | mm | 22.5             |
| Width opening                                 |  | mm | 0                |
| Height opening                                |  | mm | 0                |
| Switching function latching                   |  |    | Yes              |
| Spring-return                                 |  |    | No               |
| Degree of protection (IP)                     |  |    | IP65             |
| Degree of protection (NEMA)                   |  |    |                  |
| Supply voltage                                |  | V  | 0 - 0            |
| Number of contacts as normally open contact   |  |    | 1                |
| Number of contacts as normally closed contact |  |    | 1                |
| Number of contacts as change-over contact     |  |    | 0                |
| Type of electric connection                   |  |    | Screw connection |
| With front ring                               |  |    | Yes              |
| Material front ring                           |  |    | Plastic          |
| Colour front ring                             |  |    | Other            |

## Approvals

|                             |  |  |  |
|-----------------------------|--|--|--|
| Product Standards           |  |  | IEC/EN 60947-5-1; UL 508; CAN/CSA-C22.2 No. 14-05 und 94-M91; CE marking |
| UL File No.                 |  |  | E29184   |
| UL Category Control No.     |  |  | NKCR   |
| CSA File No.                |  |  | 165628   |
| CSA Class No.               |  |  | 321103   |
| North America Certification |  |  | UL listed, CSA certified   |
| Degree of Protection        |  |  | 1,3R,4X,12,13  |

## Dimensions



## Additional product information (links)

IL04716025Z RMQ-Titan: compact programm

IL04716025Z RMQ-Titan: compact programm [https://es-assets.eaton.com/DOCUMENTATION/AWA\\_INSTRUCTIONS/IL04716025Z2021\\_05.pdf](https://es-assets.eaton.com/DOCUMENTATION/AWA_INSTRUCTIONS/IL04716025Z2021_05.pdf)