



Emergency-stop, Palm-tree shape, 60 mm, Key-release, MS1, 1 NC, 1 N/O, Screw connection, Not suitable for master key systems

Part no. C22-PVS60P-MS1-K11
Catalog No. 121620
Alternate Catalog No. C22-PVS60P-MS1-K11
EL-Nummer (Norway) 4315106

Delivery program

| | | | |
|---|----|----|---|
| Product range | | | RMQ Compact |
| Basic function | | | Controlled stop pushbuttons/emergency-stop buttons |
| Single unit/Complete unit | | | Complete unit |
| Design | | | Palm-tree shape |
| Diameter | ∅ | mm | 60 |
| Illumination | | | Non-illuminated |
| Approval | | | |
| Connection type | | | Key-release Screw connection |
| Description | | | Tamper-proof according to ISO 13850/EN 418 Not suitable for master key systems |
| Lock mechanism | | | MS1 |
| Colour | | | |
| Mushroom head | | | Red |
| Base | | | yellow |
| Degree of Protection | | | IP66, IP67, IP69 |
| Connection to SmartWire-DT | | | no |
| Contacts | | | |
| N/C = Normally closed | | | 1 NC |
| N/O = Normally open | | | 1 N/O |
| Notes | | | = safety function, by positive opening to IEC/EN 60947-5-1 |
| Actuator travel and actuation force as per DIN EN 60947-5-1, K.5.4.1 | | | |
| | mm | | 4.65 |
| Maximum travel | mm | | 5.7 |
| Minimum force for positive opening | N | | 20 |

| | | |
|---|--|----------------------------|
| Contact sequence | | |
| Contact travel = Contact closed = Contact open | | |
| Contact diagram | | |
| Positive opening (ZW) | | yes |
| Information about equipment supplied | | 1 key included as standard |

Technical data

General

| | | | |
|--------------------------------------|--------------|-----------------|--|
| Standards | | | IEC/EN 60947-5-5 VDE 0660 |
| Lifespan, mechanical | Operations | $\times 10^6$ | > 0.05 |
| Operating frequency | Operations/h | | ≤ 300 |
| Actuating force | n | | ≤ 50 |
| Climatic proofing | | | Damp heat, constant, to IEC 60068-2-78 Damp heat, cyclic, to IEC 60068-2-30 |
| Degree of Protection | | | IP66, IP67, IP69 |
| Mounting position | | | As required |
| Terminal capacities | | mm ² | |
| Solid | | mm ² | 2 x 0.5 - 1.5 |
| Flexible with ferrule | | mm ² | 2 x 0.5 - 1.5 |
| Tightening torque for terminal screw | | Nm | 0.8 |

Contacts

| | | | |
|---|-----------|-------------------|---------------------------|
| Rated impulse withstand voltage | U_{imp} | V AC | 4000 |
| Rated insulation voltage | U_i | V | 250 |
| Rated conditional short-circuit current | I_q | kA | 1 |
| Overvoltage category/pollution degree | | | III/3 |
| Control circuit reliability | | | |
| at 24 V DC/5 mA | H_F | Fault probability | values follow probability |
| at 5 V DC/1 mA | H_F | Fault probability | values follow probability |
| Max. short-circuit protective device | | | |
| Fuse | gG/gL | A | 10 |

Technical data ETIM 7.0

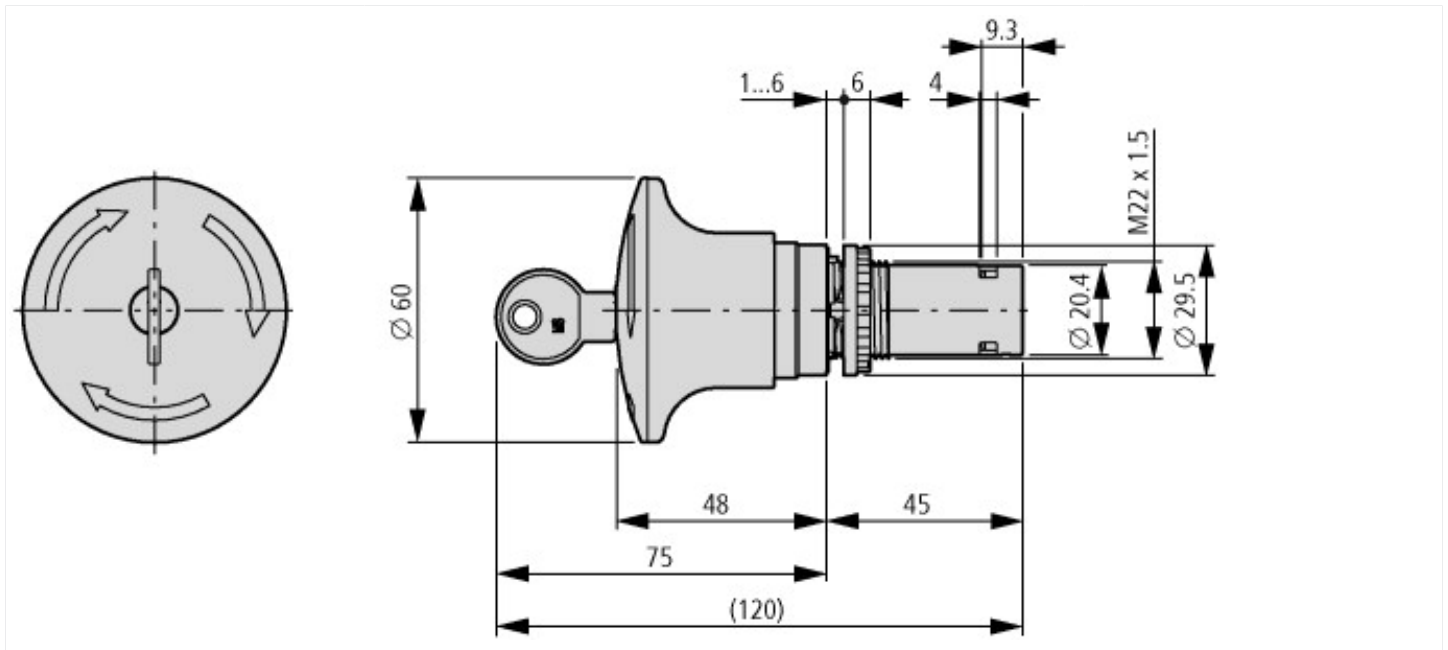
| | | | |
|--|--|--|-------------|
| Low-voltage industrial components (EG000017) / Emergency stop complete (EC002034) | | | |
| Electric engineering, automation, process control engineering / Low-voltage switch technology / Command and alarm device / EMERGENCY-STOP pushbutton, complete device (ecl@ss10.0.1-27-37-12-44 [ACN986011]) | | | |
| Unlocking method | | | Key-release |
| Number of contacts as normally closed contact | | | 1 |
| Number of contacts as normally open contact | | | 1 |
| Degree of protection (IP) | | | IP67/IP69K |
| Mounting method | | | Built-in |
| With lighting | | | No |

| | | |
|-----------------------------------|----|------------------|
| Hole diameter | mm | 22.5 |
| Connection type auxiliary circuit | | Screw connection |
| Diameter cap | mm | 60 |

Approvals

| | | |
|-----------------------------|--|--|
| Product Standards | | IEC/EN 60947-5-1; UL 508; CAN/CSA-C22.2 No. 14-05 und 94-M91; CE marking |
| UL File No. | | E29184 |
| UL Category Control No. | | NKCR |
| CSA File No. | | 165628 |
| CSA Class No. | | 321103 |
| North America Certification | | UL listed, CSA certified |
| Degree of Protection | | 1,3R,4X,12,13 |

Dimensions



Assets (links)

Declaration of CE Conformity

00003255

Instruction Leaflets

IL04716025Z2018_06

Additional product information (links)

IL04716025Z RMQ-Titan: Compact program Emergency-Switching-Off/Emergency-Stop

IL04716025Z RMQ-Titan: Compact program
Emergency-Switching-Off/Emergency-Stop

ftp://ftp.moeller.net/DOCUMENTATION/AWA_INSTRUCTIONS/IL04716025Z2019_05.pdf

DGUV Test Mark Customer Information

http://www.dguv.de/medien/dguv-test-medien/_pdf_zip_doc_ppt/agn-und-pzo/dguv_test_zeichen_infoblatt_kunden.pdf