



Power box, 5x1.5-6qmm, IP65

Part no. RA-C4-PB65  
 Catalog No. 116905  
 Alternate Catalog No. RA-C4-PB65

## Delivery program

Product range			Power supply at round cable RA-C4
Subrange			Round cable junction
Basic function			Connection socket for power cables from 2.5 - 6 mm <sup>2</sup>
Description			T junction via spring-cage terminal, 1.5 to 6 mm <sup>2</sup> and/or plug connection of 0.5 - 4 mm <sup>2</sup> , Enclosure IP65
Information about equipment supplied			Enclosure continuous seals must be ordered separately.
<b>For use with</b>			
For use with			RA-C4-PPB/C3-1M5 RA-C4-X/C3-1M5
<b>Instructions</b> Enclosure opening gaskets are not included as standard			

## Technical data

### General

Ambient temperature			
Operation	θ	°C	-40 - +55
Storage	θ	°C	-40 - +85
Mounting position			As required
Outer dimensions L x W x H		mm	181 x 104 x 67
Termination			Insulation piercing terminals

### Main circuit

Rated operational current	I <sub>e</sub>	A	25 (4 mm <sup>2</sup> )
Line protection		Type	PKE32/XTU-32 PKZM0-25 FAZ-C25/3

## Design verification as per IEC/EN 61439

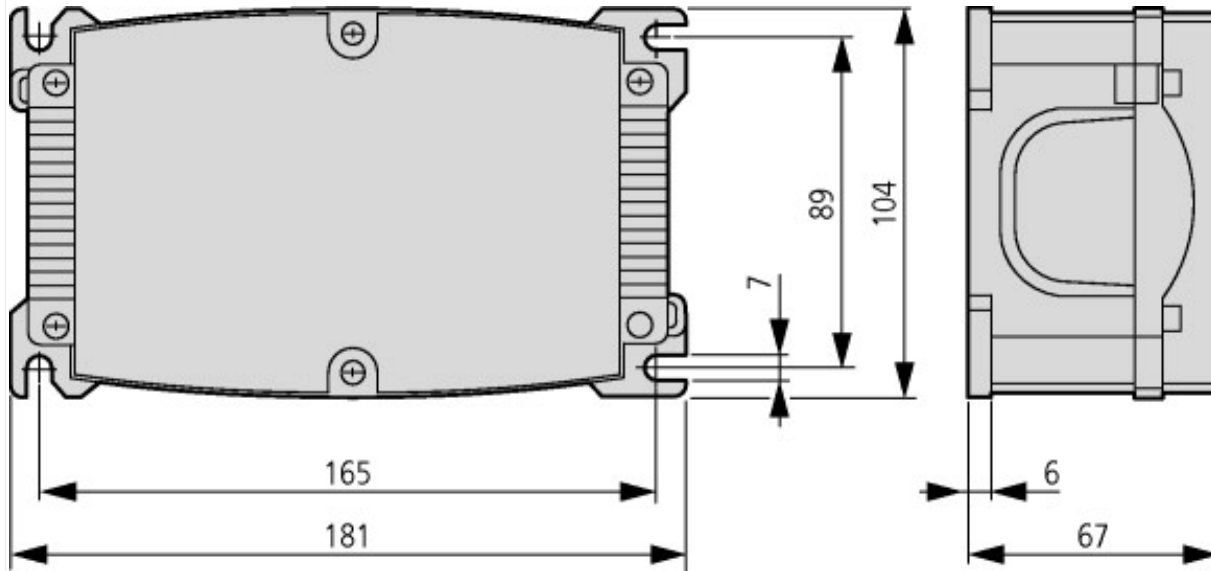
Technical data for design verification			
Operating ambient temperature min.		°C	-40
Operating ambient temperature max.		°C	55

## Technical data ETIM 7.0

Distribution boards (EG000023) / Small distribution board (EC000214)			
Electric engineering, automation, process control engineering / Electrical installation, device / Electrical distribution system (incl. small distribution board) / Small distribution board (ecl@ss10.0.1-27-14-24-09 [ACN387011])			
Mounting method			Other
Number of rows			0
Width in number of modular spacings			0
Type of cover			Cover
Cover model			Closed
Transparent cover/door			No
Material housing			Plastic
Height		mm	67
Width		mm	104
Depth		mm	181
Built-in depth		mm	0
Internal depth		mm	58
DIN-rail			No
With mounting plate			No

Extension possible		No
EMC-version		No
Colour		Black
RAL-number		0
Degree of protection (IP)		IP65
With lock		No
Type of closure		Other

## Dimensions



Round cable junction

RA-CA-PB65

## Assets (links)

### Manuals

MN03406003Z\_EN (English)

## Additional product information (links)

### MN03406003Z Rapid Link 4.0

MN03406003Z Rapid Link 4.0 - Deutsch	<a href="ftp://ftp.moeller.net/DOCUMENTATION/AWB_MANUALS/MN03406003Z_DE.pdf">ftp://ftp.moeller.net/DOCUMENTATION/AWB_MANUALS/MN03406003Z_DE.pdf</a>
MN03406003Z Rapid Link 4.0 - English	<a href="ftp://ftp.moeller.net/DOCUMENTATION/AWB_MANUALS/MN03406003Z_EN.pdf">ftp://ftp.moeller.net/DOCUMENTATION/AWB_MANUALS/MN03406003Z_EN.pdf</a>
MN03406003Z Rapid Link 4.0 - français	<a href="ftp://ftp.moeller.net/DOCUMENTATION/AWB_MANUALS/MN03406003Z_FR.pdf">ftp://ftp.moeller.net/DOCUMENTATION/AWB_MANUALS/MN03406003Z_FR.pdf</a>
CA04020001Z-EN Product Range Catalog: Efficient Engineering for Starting and Controlling Motors	<a href="http://www.eaton.eu/DE/ecm/groups/public/@pub/@europe/@electrical/documents/content/pct_1095238.pdf">http://www.eaton.eu/DE/ecm/groups/public/@pub/@europe/@electrical/documents/content/pct_1095238.pdf</a>