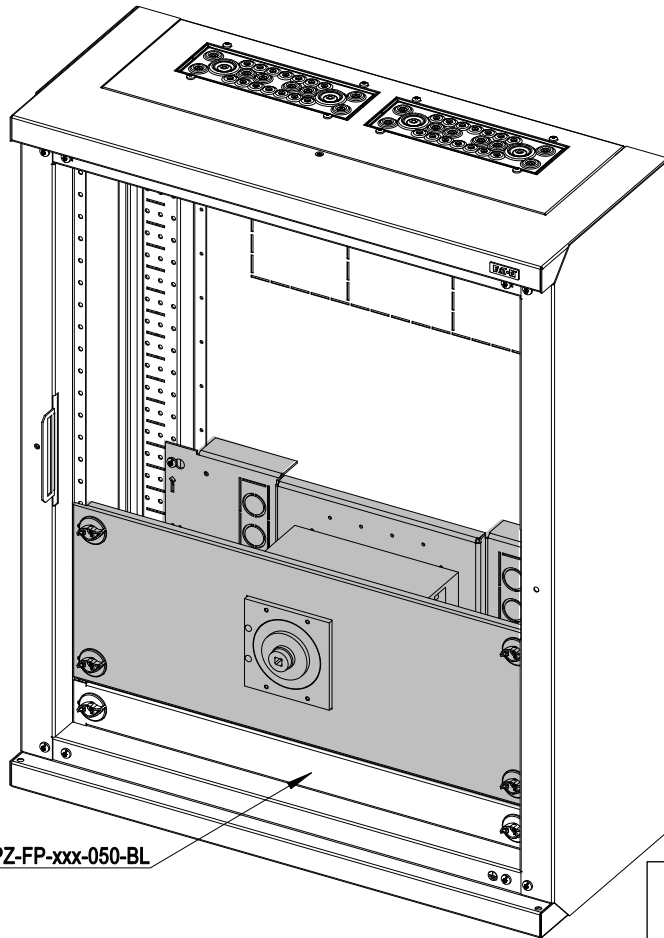


## BPZ-NZM\_ROTARY-HANDLE

170900095



BPZ-FP-xxx-050-BL



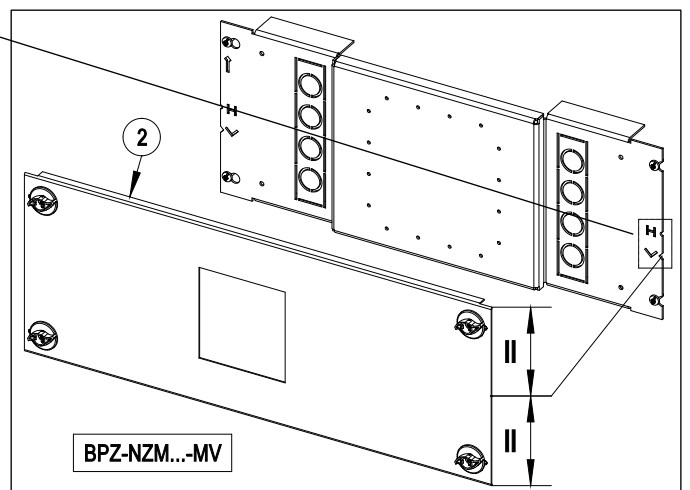
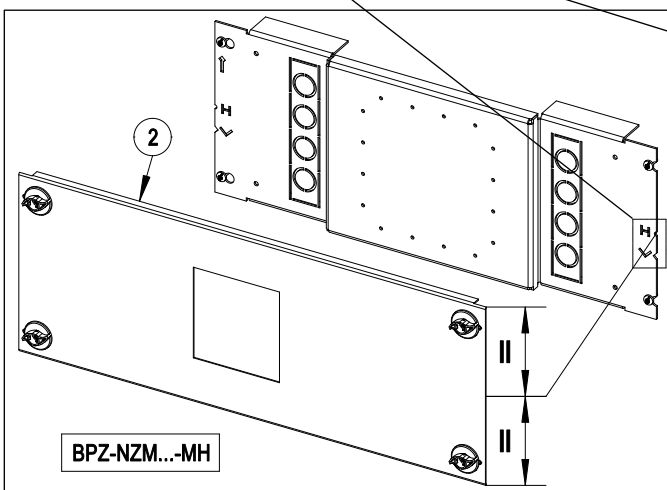
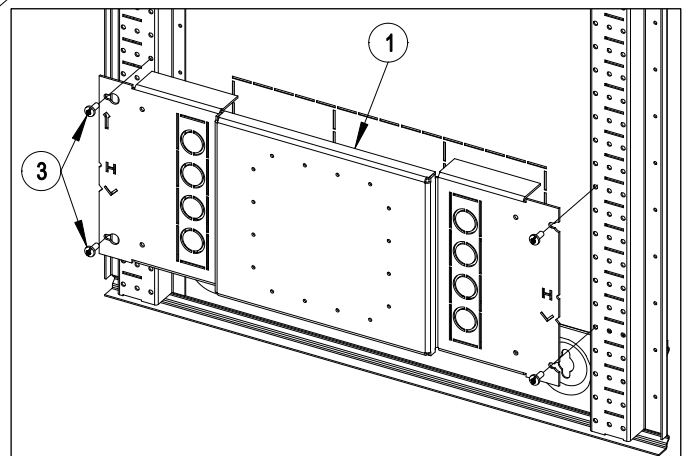
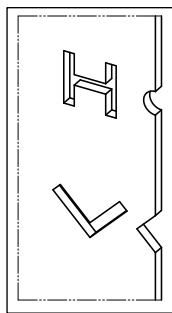
**Lebensgefahr durch elektrischen Strom!**

Nur Elektrofachkräfte und elektrotechnisch unterwiesene Personen dürfen die im Folgenden beschriebenen Arbeiten ausführen.

**Electric current! Danger to life!**

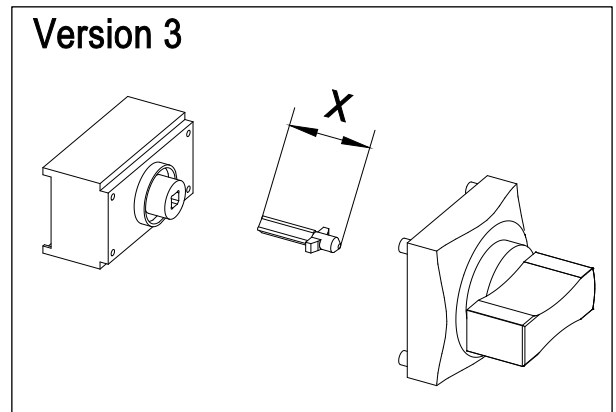
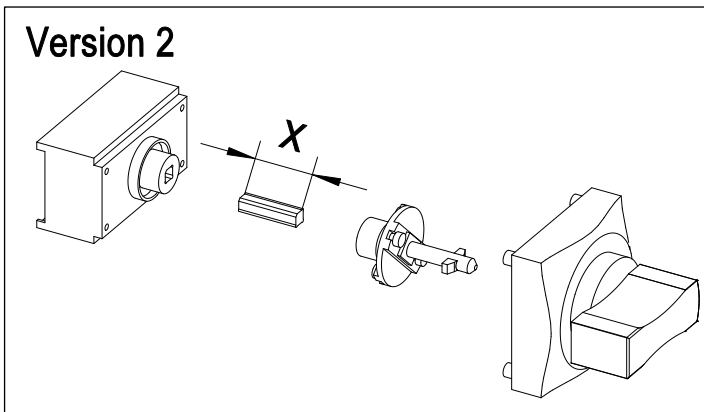
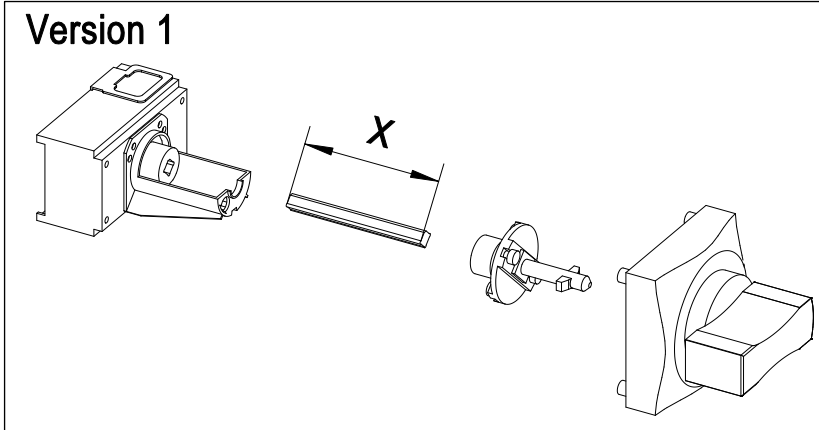
Only skilled or instructed persons may carry out the following operations.

Pos	Part	Qty.
1		1x
2		1x
3		M5x12 4x/6x



## BPZ-NZM\_ROTARY-HANDLE

170900095

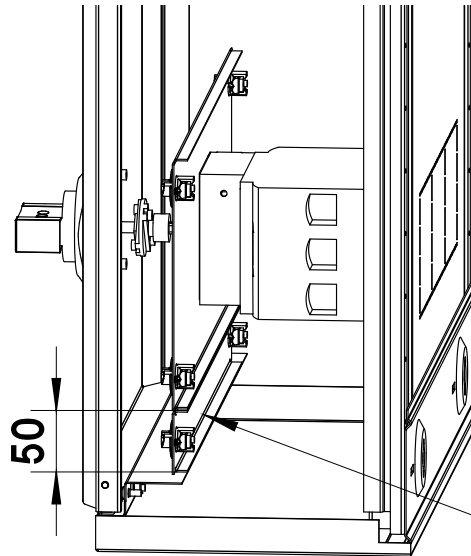
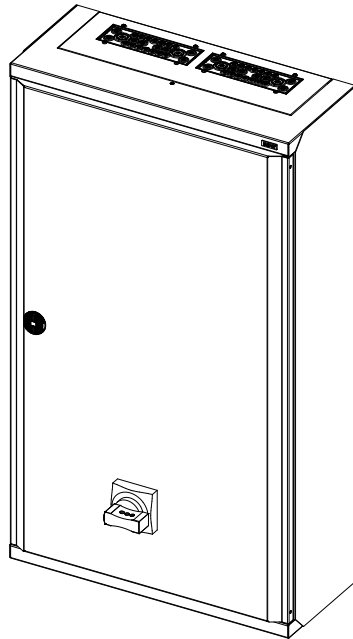


	NZM1	NZM2	NZM3
<b>Version 1</b>	<b>NZM1-XTVD(V)(R)</b>	<b>NZM2-XTVD(V)(R)</b>	<b>NZM3-XTVD(V)(R)</b>
<b>Version 2</b>	<b>NZM1-XTVD(V)(R)-60</b>	<b>NZM2-XTVD(V)(R)-60</b>	<b>NZM3-XTVD(V)(R)-60</b>
<b>Version 3</b>	<b>NZM1-XTVD(V)(R)-0</b>	<b>NZM2-XTVD(V)(R)-0</b>	<b>NZM3-XTVD(V)(R)-0</b>

RAL7035	RAL9016		BP-O	BP-F	BPM-O	BPM-F
Item	Item	Description	Vers. X	Vers. X	Vers. X	Vers. X
116679	105217	BPZ-NZM1-400-MV-RH (-W)	Vers. 2 24mm	Vers. 1 66mm	Vers. 2 16mm	Vers. 1 66mm
116682	105219	BPZ-NZM1-600-MV-RH (-W)	Vers. 2 24mm	Vers. 1 66mm	Vers. 2 16mm	Vers. 1 66mm
116684	105521	BPZ-NZM1-800-MV-RH (-W)	Vers. 2 24mm	Vers. 1 66mm	Vers. 2 16mm	Vers. 1 66mm
116686	105523	BPZ-NZM1-600-MH-RH (-W)	Vers. 2 24mm	Vers. 1 66mm	Vers. 2 16mm	Vers. 1 66mm
116688	105525	BPZ-NZM1-800-MH-RH (-W)	Vers. 2 24mm	Vers. 1 66mm	Vers. 2 16mm	Vers. 1 66mm
116680	105218	BPZ-NZM2-400-MV-RH (-W)	Vers. 2 21mm	Vers. 1 63mm	Vers. 3 71mm	Vers. 1 63mm
116683	105520	BPZ-NZM2-600-MV-RH (-W)	Vers. 2 21mm	Vers. 1 63mm	Vers. 3 71mm	Vers. 1 63mm
116685	105522	BPZ-NZM2-800-MV-RH (-W)	Vers. 2 21mm	Vers. 1 63mm	Vers. 3 71mm	Vers. 1 63mm
116687	105524	BPZ-NZM2-600-MH-RH (-W)	Vers. 2 21mm	Vers. 1 63mm	Vers. 3 71mm	Vers. 1 63mm
116689	105526	BPZ-NZM2-800-MH-RH (-W)	Vers. 2 21mm	Vers. 1 63mm	Vers. 3 71mm	Vers. 1 63mm
116681	105527	BPZ-NZM3-400-MV-RH (-W)	Vers. 3 70mm	Vers. 2 52mm	Vers. 3 62mm	Vers. 2 52mm

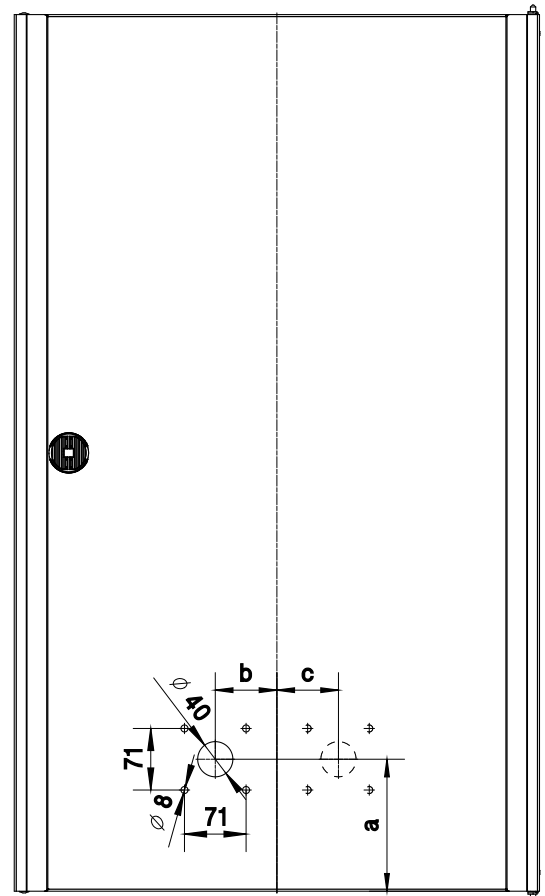
## BPZ-NZM\_ROTARY-HANDLE

170900095



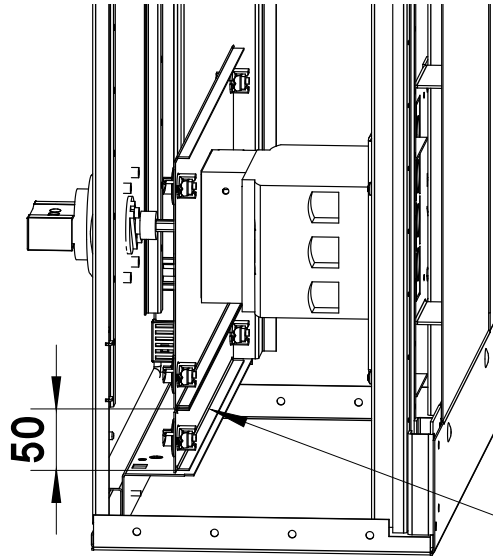
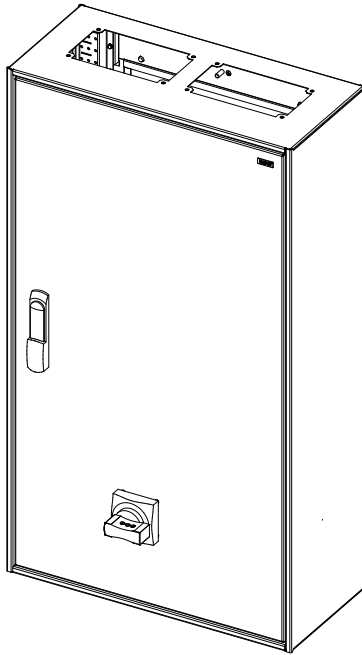
\* measure "a"  
based on the use  
of a 50mm front  
cover at the bottom  
(BPZ-FP-xxx-050-BL)

BP-O / BP-F				
		a *	b	c
BPZ-NZM1-...-MV..		240,75	-	-
BPZ-NZM1-...-MH..		173,25	7,5	-
BPZ-NZM1-...-MH..		173,25	-	7,5
BPZ-NZM2-...-MV..		315,8	-	-
BPZ-NZM2-...-MH..		173,25	17,55	-
BPZ-NZM2-...-MH..		173,25	-	17,55
BPZ-NZM3-...-MV..		430,75	29	-

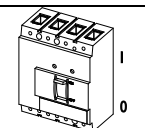
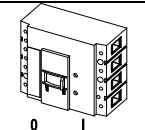
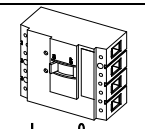
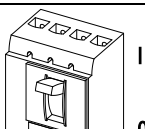
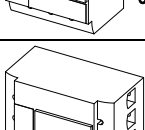
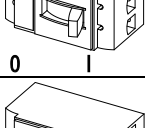
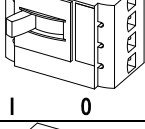


## BPZ-NZM\_ROTARY-HANDLE

170900095



\* measure "a"  
based on the use  
of a 50mm front  
cover at the bottom  
(BPZ-FP-xxx-050-BL)

BPM-O / BPM-F		a*	b	c
BPZ-NZM1-...-MV..		256,1	-	-
BPZ-NZM1-...-MH..		188,6	7,5	-
BPZ-NZM1-...-MH..		188,6	-	7,5
BPZ-NZM2-...-MV..		331,15	-	-
BPZ-NZM2-...-MH..		188,6	17,55	-
BPZ-NZM2-...-MH..		188,6	-	17,55
BPZ-NZM3-...-MV..		446,1	29	-

