



Pushbutton, yellow, maintained

Part no. Q18DR-GE  
 Catalog No. 090482  
 Alternate Catalog No. Q18DR-GE  
 EL-Nummer (Norway) 4356284

### Delivery program

|                            |  |  |  |
|----------------------------|--|--|--|
| Product range              |  |  | RMQ16  |
| Basic function             |  |  | Pushbutton actuators   |
| Single unit/Complete unit  |  |  | Single unit  |
| Design                     |  |  | Flat   |
|                            |  |  | maintained   |
| <b>Button plate</b>        |  |  |  |
| button plate               |  |  | yellow   |
| Button plate               |  |  |  |
|                            |  |  | Blank  |
| Degree of Protection       |  |  | IP65   |
| Front ring                 |  |  | without bezel  |
| Connection to SmartWire-DT |  |  | no   |
| Front dimensions           |  |  | 18 x 18  |
| <b>Notes</b>               |  |  |  |
| →#090351                   |  |  |  |

### Technical data

#### General

|                                    |                 |                   |  |
|------------------------------------|-----------------|-------------------|--|
| Standards                          |                 |                   | IEC/EN 60947, VDE 0660   |
| Lifespan, mechanical               | Operations      | x 10 <sup>6</sup> | > 3  |
| Operating frequency                | Operations/h    |                   | ≤ 1800   |
| Actuating force                    | n               |                   | ≤ 4  |
| Degree of protection, IEC/EN 60529 |                 |                   | IP65   |
| Climatic proofing                  |                 |                   | Damp heat, constant, to IEC 60068-2-78<br>Damp heat, cyclic, to IEC 60068-2-30 |
| Ambient temperature                |                 |                   |  |
| Open                               | °C              |                   | -25 - +60  |
| Enclosed                           | °C              |                   | - 25 - 40  |
| Mounting position                  |                 |                   | As required  |
| Mechanical shock resistance        | g               |                   | > 40<br>according to IEC 60068-2-27<br>Shock duration 11 ms<br>Sinusoidal      |
| Terminal capacities                | mm <sup>2</sup> |                   | 0.5 - 1.0  |
| Blade terminal                     |                 |                   | 2.8 x 0.8 mm to DIN 46244  |
| Fast-on connectors                 |                 |                   | 2.8 x 0.8 mm to DIN 46247 and IEC 60760  |

### Design verification as per IEC/EN 61439

|  |                  |   |   |
|--|------------------|---|---|
| Technical data for design verification                   |                  |   |   |
| Rated operational current for specified heat dissipation | I <sub>n</sub>   | A | 0 |
| Heat dissipation per pole, current-dependent             | P <sub>vid</sub> | W | 0 |
| Equipment heat dissipation, current-dependent            | P <sub>vid</sub> | W | 0 |

|  |                   |    |  |
|--|-------------------|----|--|
| Static heat dissipation, non-current-dependent   | P <sub>vs</sub>   | W  | 0  |
| Heat dissipation capacity  | P <sub>diss</sub> | W  | 0  |
| Operating ambient temperature min.   |                   | °C | -25  |
| Operating ambient temperature max.   |                   | °C | 60   |
| IEC/EN 61439 design verification   |                   |    |  |
| 10.2 Strength of materials and parts   |                   |    |  |
| 10.2.2 Corrosion resistance  |                   |    | Meets the product standard's requirements.   |
| 10.2.3.1 Verification of thermal stability of enclosures   |                   |    | Meets the product standard's requirements.   |
| 10.2.3.2 Verification of resistance of insulating materials to normal heat   |                   |    | Meets the product standard's requirements.   |
| 10.2.3.3 Verification of resistance of insulating materials to abnormal heat and fire due to internal electric effects |                   |    | Meets the product standard's requirements.   |
| 10.2.4 Resistance to ultra-violet (UV) radiation   |                   |    | Please enquire   |
| 10.2.5 Lifting   |                   |    | Does not apply, since the entire switchgear needs to be evaluated.                                       |
| 10.2.6 Mechanical impact   |                   |    | Does not apply, since the entire switchgear needs to be evaluated.                                       |
| 10.2.7 Inscriptions  |                   |    | Meets the product standard's requirements.   |
| 10.3 Degree of protection of ASSEMBLIES  |                   |    | Does not apply, since the entire switchgear needs to be evaluated.                                       |
| 10.4 Clearances and creepage distances   |                   |    | Meets the product standard's requirements.   |
| 10.5 Protection against electric shock   |                   |    | Does not apply, since the entire switchgear needs to be evaluated.                                       |
| 10.6 Incorporation of switching devices and components   |                   |    | Does not apply, since the entire switchgear needs to be evaluated.                                       |
| 10.7 Internal electrical circuits and connections  |                   |    | Is the panel builder's responsibility.   |
| 10.8 Connections for external conductors   |                   |    | Is the panel builder's responsibility.   |
| 10.9 Insulation properties   |                   |    |  |
| 10.9.2 Power-frequency electric strength   |                   |    | Is the panel builder's responsibility.   |
| 10.9.3 Impulse withstand voltage   |                   |    | Is the panel builder's responsibility.   |
| 10.9.4 Testing of enclosures made of insulating material   |                   |    | Is the panel builder's responsibility.   |
| 10.10 Temperature rise   |                   |    | Not applicable.  |
| 10.11 Short-circuit rating   |                   |    | Is the panel builder's responsibility. The specifications for the switchgear must be observed.           |
| 10.12 Electromagnetic compatibility  |                   |    | Is the panel builder's responsibility. The specifications for the switchgear must be observed.           |
| 10.13 Mechanical function  |                   |    | The device meets the requirements, provided the information in the instruction leaflet (IL) is observed. |

## Technical data ETIM 7.0

Low-voltage industrial components (EG000017) / Front element for push button (EC000221)

Electric engineering, automation, process control engineering / Low-voltage switch technology / Command and alarm device / Front element for push-button actuators (ec@ss10.0.1-27-37-12-10 [AKF028014])

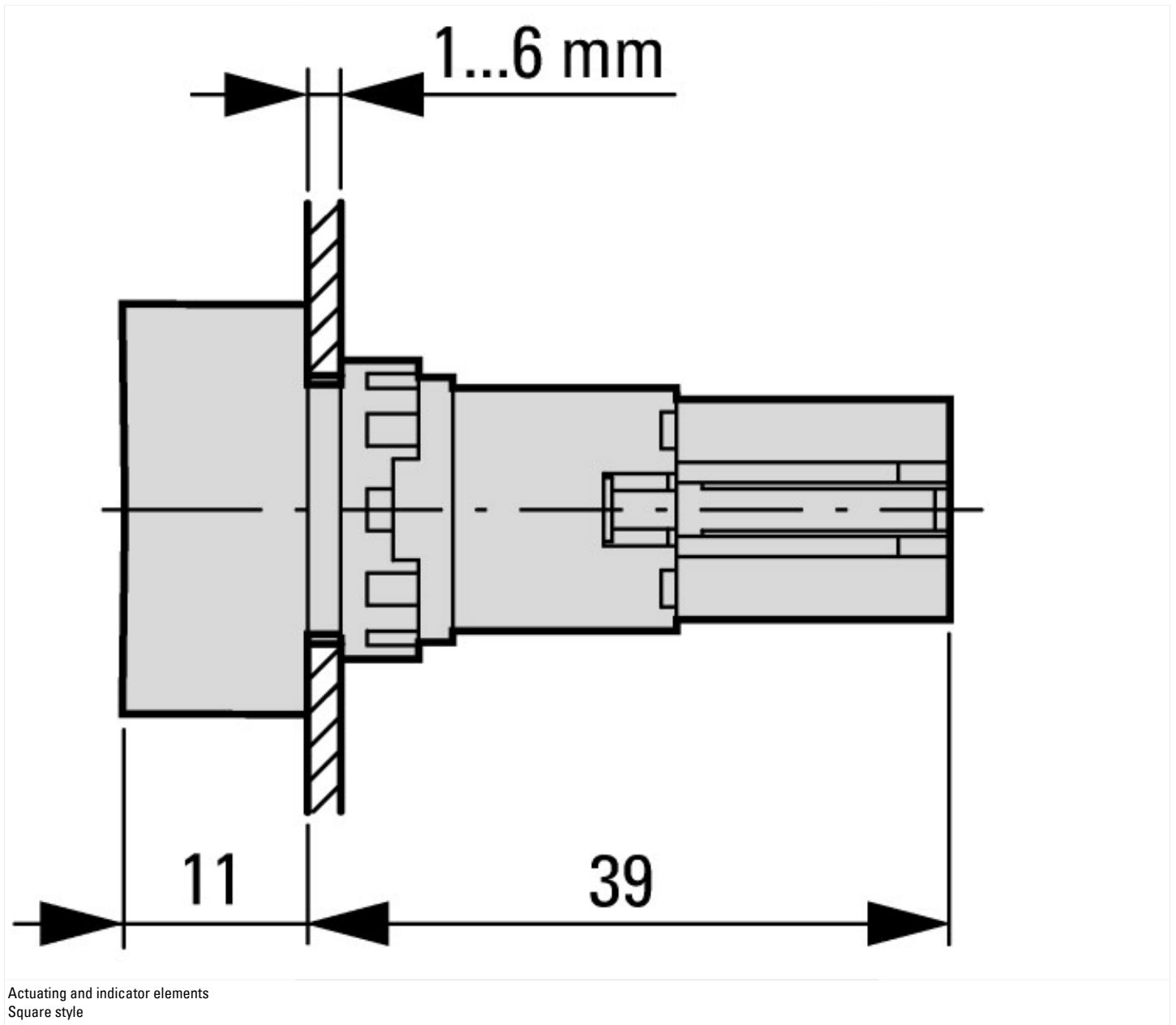
|   |  |    |         |
|---|--|----|---------|
| Colour button                           |  |    | Yellow  |
| Number of command positions             |  |    | 1       |
| Construction type lens                  |  |    | Square  |
| Hole diameter                           |  | mm | 16      |
| Width opening                           |  | mm | 0       |
| Height opening                          |  | mm | 0       |
| Type of button                          |  |    | Flat    |
| Suitable for illumination               |  |    | No      |
| With protective cover                   |  |    | No      |
| Labelled                                |  |    | No      |
| Switching function latching             |  |    | Yes     |
| Spring-return                           |  |    | No      |
| With front ring                         |  |    | Yes     |
| Material front ring                     |  |    | Plastic |
| Colour front ring                       |  |    | Black   |
| Degree of protection (IP), front side   |  |    | IP65    |
| Degree of protection (NEMA), front side |  |    | 1       |

## Approvals

|                   |  |  |   |
|-------------------|--|--|---|
| Product Standards |  |  | IEC/EN 60947-5; UL 508; CSA-C22.2 No. 14-05; CE marking |
|-------------------|--|--|---|

|                             |                          |
|-----------------------------|--------------------------|
| UL File No.                 | E29184                   |
| UL Category Control No.     | NKCR                     |
| CSA File No.                | 46552                    |
| CSA Class No.               | 3211-03                  |
| North America Certification | UL listed, CSA certified |
| Degree of Protection        | UL/CSA Type 1            |

## Dimensions



## Assets (links)

### Declaration of CE Conformity

00002898

### Instruction Leaflets

IL04716016Z2018\_05

## Additional product information (links)

### IL04716016Z (AWA1160-1429) Mounting of components

IL04716016Z (AWA1160-1429) Mounting of components

[ftp://ftp.moeller.net/DOCUMENTATION/AWA\\_INSTRUCTIONS/IL04716016Z2018\\_05.pdf](ftp://ftp.moeller.net/DOCUMENTATION/AWA_INSTRUCTIONS/IL04716016Z2018_05.pdf)