

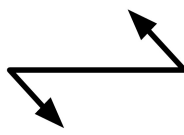


Joystick, Flat Front (drilling dimensions 30.5 mm), with one operating point per operating direction, with metal shaft, 2 positions, Metal bezel, momentary, Horizontal



Part no. M30C-FWJS2H
Catalog No. 197526

Delivery program

| | | | |
|----------------------------|---|----|---|
| Product range | | | Flat Front (drilling dimensions 30.5 mm) |
| Basic function | | | Joystick |
| Mounting hole diameter | ∅ | mm | 30.5 |
| Single unit/Complete unit | | | Single unit |
| Function: | | | |
| Function | | |  |
| Description | | | with one operating point per operating direction with metal shaft 2 positions |
| Degree of Protection | | | IP65 |
| Front ring | | | Metal bezel |
| Connection to SmartWire-DT | | | yes with SWD-RMQ connections |
| Function | | | momentary Horizontal |

Technical data

| | | | |
|-----------------------------|--------------|-------------------|--|
| General | | | |
| Standards | | | IEC/EN 60947 VDE 0660 |
| Lifespan, mechanical | Operations | x 10 ⁶ | > 0.1 |
| Operating frequency | Operations/h | | ≤ 2000 |
| Actuating force | | n | ≤ 5 |
| Climatic proofing | | | Damp heat, constant, to IEC 60068-2-78 Damp heat, cyclic, to IEC 60068-2-30 |
| Degree of Protection | | | IP65 |
| Ambient temperature | | | |
| Open | | °C | -25 - +70 |
| Mounting position | | | As required |
| Mechanical shock resistance | | g | 15 Shock duration 11 ms Sinusoidal according to IEC 60068-2-27 |
| shipping classification | | | DNV GL |
| | | |  |

Design verification as per IEC/EN 61439

| | | | |
|--|--|--|--|
| Technical data for design verification | | | |
|--|--|--|--|

| | | |
|------------------------------------|----|-----|
| Operating ambient temperature min. | °C | -25 |
| Operating ambient temperature max. | °C | 70 |

Technical data ETIM 8.0

Low-voltage industrial components (EG000017) / Control switch, Joystick (EC000632)

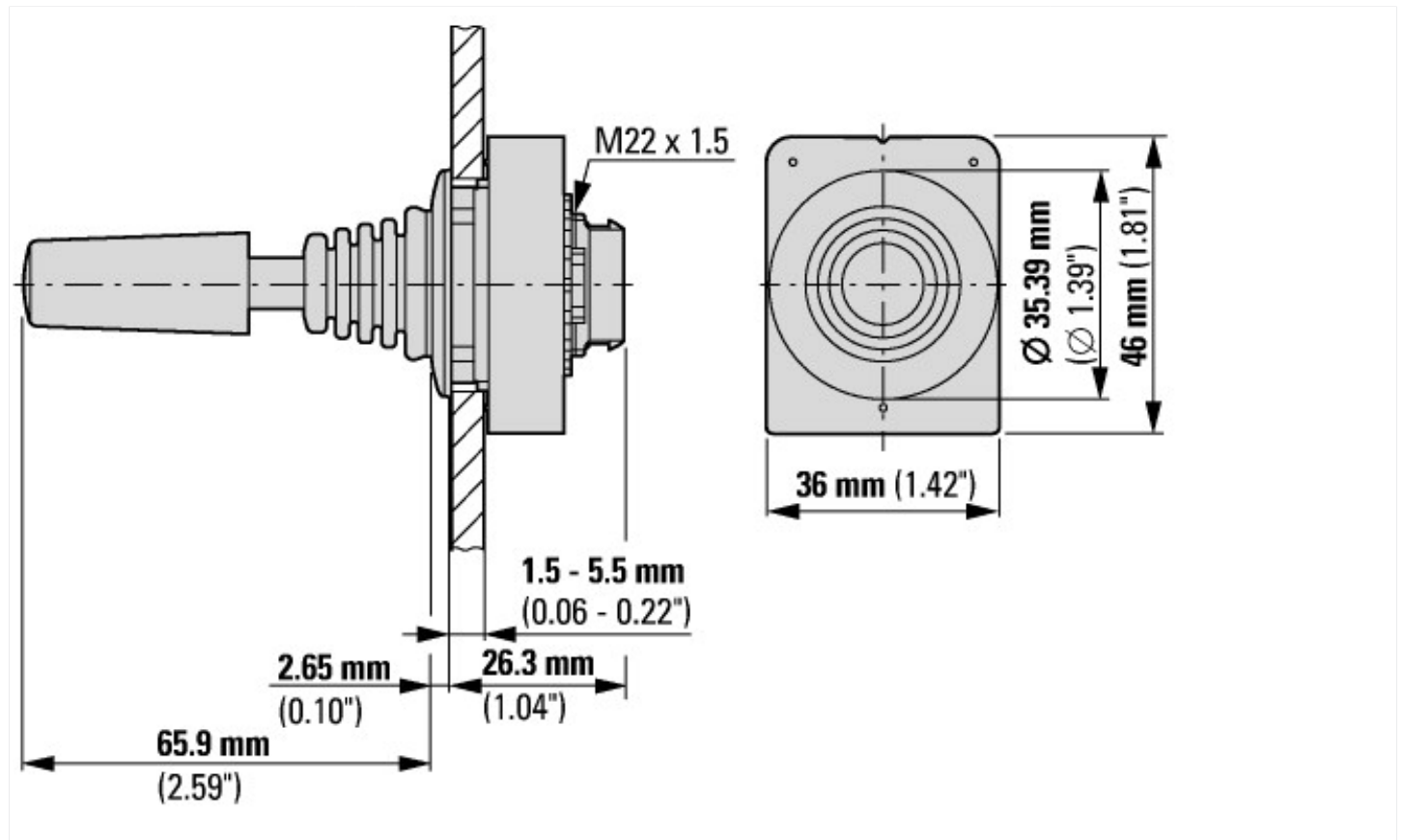
Electric engineering, automation, process control engineering / Low-voltage switch technology / Off-load switch, circuit breaker, control switch / Control switch, joystick (ec@ss10.0.1-27-37-14-04 [AKF061013])

| | | |
|--|----|--------|
| Rated operation current I _e at AC-21, 400 V | A | 0 |
| Centre mounting, hole diameter | mm | 30 |
| Joy stick length | mm | 66 |
| Number of actuation directions | | 2 |
| Number of switch positions | | 1 |
| Number of normally open contacts per actuation direction | | 0 |
| Number of normally closed contacts per actuation direction | | 0 |
| Number of make-and-break contacts per direction | | 0 |
| With retraction in 0-position | | Yes |
| Locking in 0-position | | No |
| Coder | | No |
| Analogue output signal configurable | | No |
| With front ring | | Yes |
| Material front ring | | Metal |
| Colour front ring | | Chrome |
| Degree of protection (IP) | | IP66 |
| Degree of protection (NEMA) | | 4X, 13 |

Approvals

| | | |
|-----------------------------|--|--|
| Product Standards | | IEC/EN 60947-5; UL 508; CSA-C22.2 No. 14-05; CSA-C22.2 No. 94-91; CE marking |
| UL File No. | | E29184 |
| UL Category Control No. | | NKCR |
| CSA File No. | | 012528 |
| CSA Class No. | | 3211-03 |
| North America Certification | | UL listed, CSA certified |
| Degree of Protection | | UL/CSA Type 3R, 4X, 12, 13 |

Dimensions



Additional product information (links)

IL047019ZU Flat Front

IL047019ZU Flat Front

https://es-assets.eaton.com/DOCUMENTATION/AWA_INSTRUCTIONS/IL047019ZU.pdf