

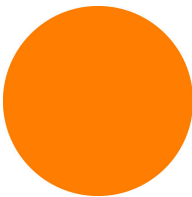


Indicator light, RMQ-Titan, flat, orange, Front ring stainless steel

Part no. **M30I-FL-A**
 Catalog No. **188047**
 Alternate Catalog No. **M30I-FL-A**



Delivery program

Product range			RMQ-Titan
Basic function			Indicator lights
Single unit/Complete unit			Single unit
Design			flat
Colour			
Lens			orange
Lens			
Degree of Protection			IP66, IP67, IP69
Front ring			Front ring stainless steel
Connection to SmartWire-DT			yes with SWD-RMQ connections
Front dimensions			Ø 36mm

Technical data

General			
Standards			IEC/EN 60947 VDE 0660
Climatic proofing			Damp heat, constant, to IEC 60068-2-78 Damp heat, cyclic, to IEC 60068-2-30
Degree of Protection			IP66, IP67, IP69
Ambient temperature			
Open		°C	-25 - +70
Mounting position			As required
Mechanical shock resistance		g	not planned
Terminal capacities		mm ²	
Solid		mm ²	0.5 - 1.5
Stranded		mm ²	0.5 - 1.5
shipping classification			DNV GL
			
			

Contacts

Rated impulse withstand voltage	U _{imp}	V AC	4000
Rated insulation voltage	U _i	V	250
Overtoltage category/pollution degree			III/3

Design verification as per IEC/EN 61439

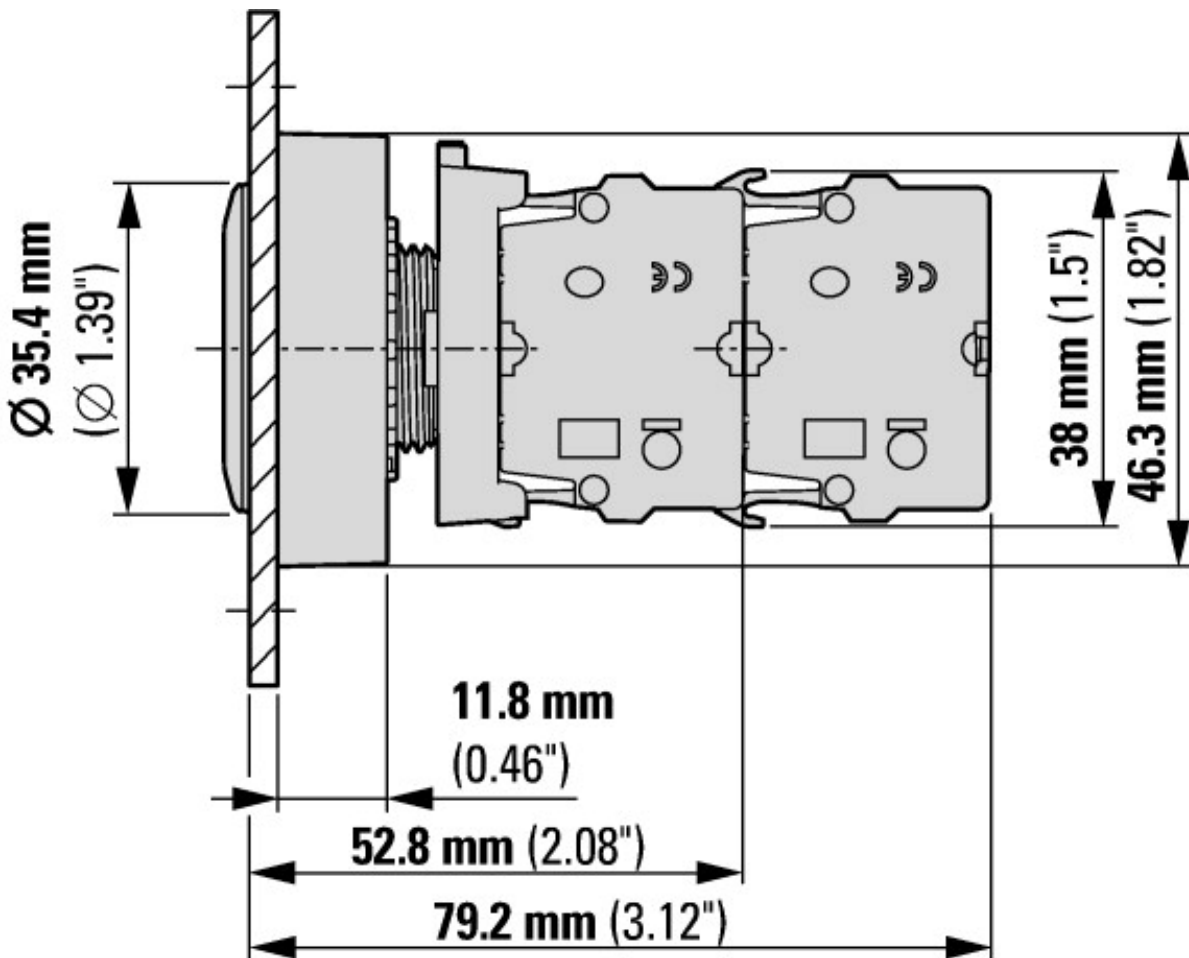
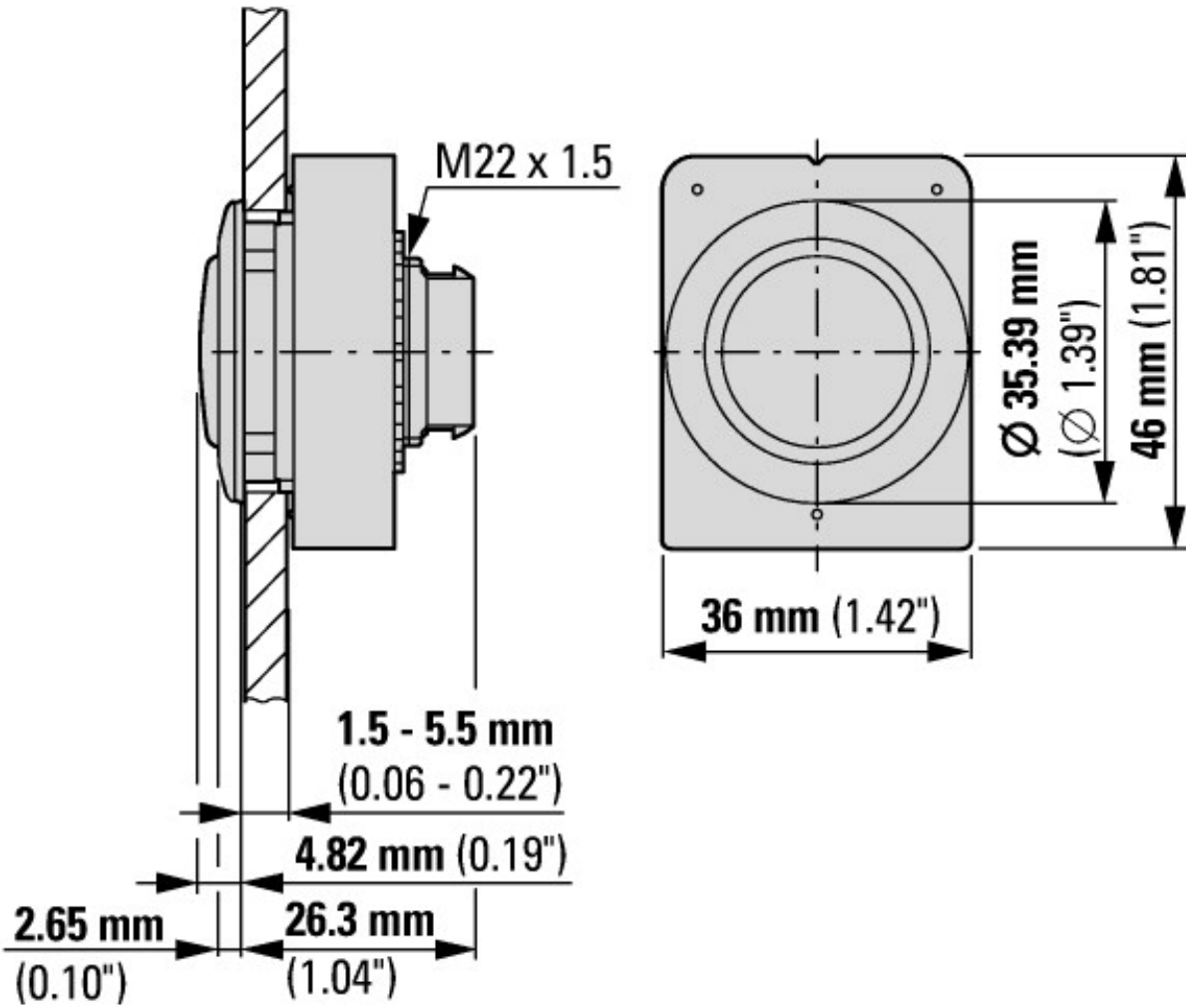
Technical data for design verification			
Operating ambient temperature min.		°C	-25
Operating ambient temperature max.		°C	70

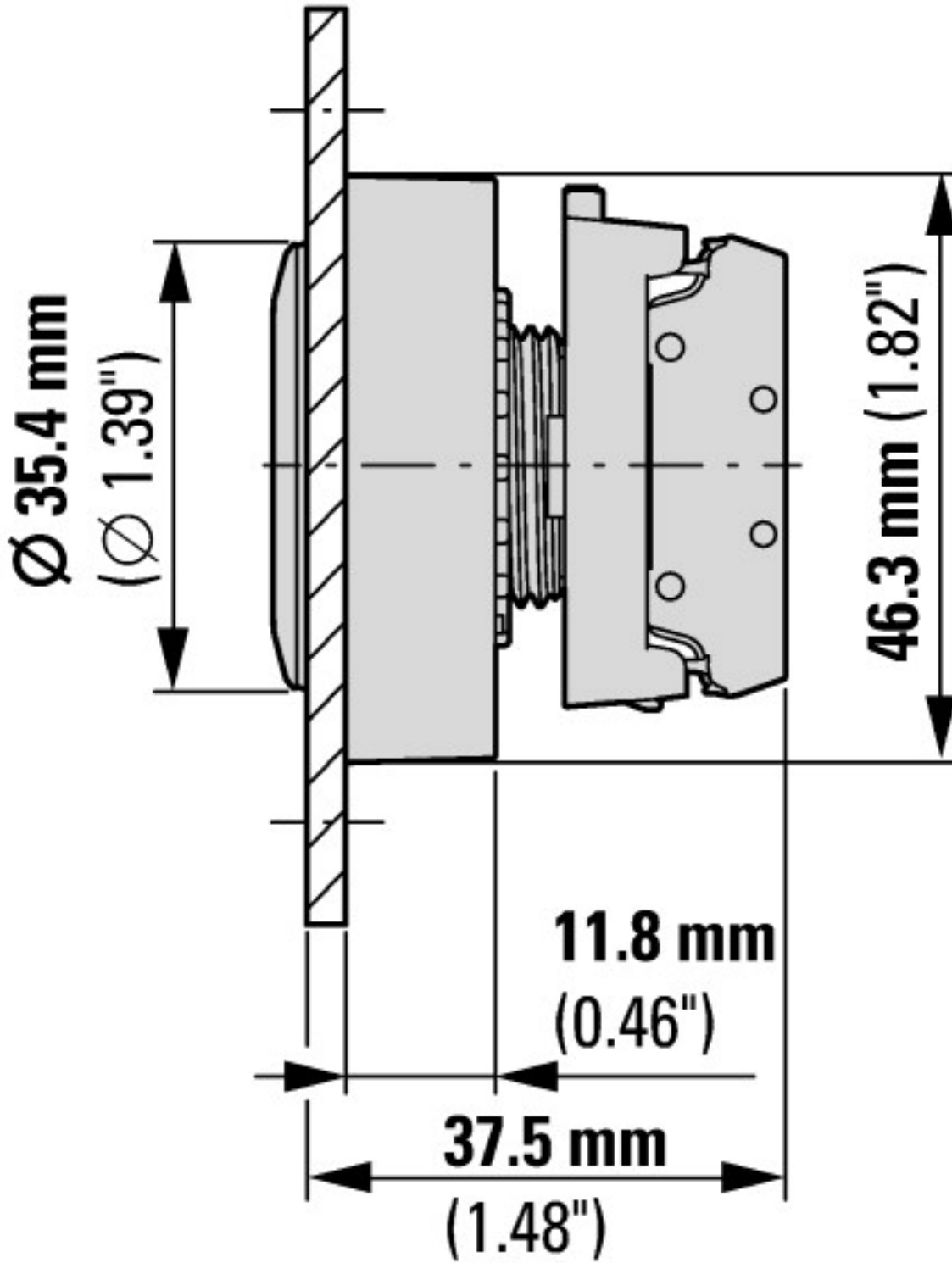
Technical data ETIM 7.0

Low-voltage industrial components (EG000017) / Front element for indicator light (EC000223)			
Electric engineering, automation, process control engineering / Low-voltage switch technology / Command and alarm device / Front element for warning lights (ecl@ss10.0.1-27-37-12-11 [AKF029014])			
Suitable for number of built-in signal lights			1
Colour lens			Orange
Construction type lens			Round
Hole diameter		mm	30
Width opening		mm	0
Height opening		mm	0
With front ring			Yes
Material front ring			Metal
Colour front ring			Other
Type of lens			Flat
Degree of protection (IP), front side			IP67

Approvals

Product Standards			IEC/EN 60947-5; UL 508; CSA-C22.2 No. 14-05; CSA-C22.2 No. 94-91; CE marking
UL File No.			E29184
UL Category Control No.			NKCR
CSA File No.			012528
CSA Class No.			3211-03
North America Certification			UL listed, CSA certified
Degree of Protection			UL/CSA Type 3R, 4X, 12, 13







Assets (links)

Declaration of CE Conformity

00003256

Instruction Leaflets

IL047019ZU2018_05

Additional product information (links)

IL047019ZU Flat Front

IL047019ZU Flat Front

ftp://ftp.moeller.net/DOCUMENTATION/AWA_INSTRUCTIONS/IL047019ZU2018_05.pdf