

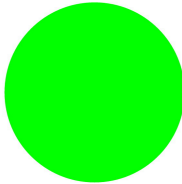


Illuminated selector switch actuator, RMQ-Titan, With thumb-grip, maintained, 2 positions, green, Metal bezel



Part no. M30C-FWRLK-G
Catalog No. 187024
Alternate Catalog No. M30C-FWRLK-G

Delivery program

| | | | |
|----------------------------|--|--|---|
| Product range | | | RMQ-Titan |
| Basic function | | | Illuminated selector switch actuator |
| Single unit/Complete unit | | | Single unit |
| Design | | | With thumb-grip maintained |
| Function: | | | |
| | | | ↙ 60° |
| | | | 2 positions |
| Colour | | | |
| Thumb-grip | | | green |
| | | |  |
| Degree of Protection | | | IP66 |
| Front ring | | | Metal bezel |
| Connection to SmartWire-DT | | | yes with SWD-RMQ connections |
| Front dimensions | | | Ø 36 mm |
| Instructions | | | Stay-put/spring-return function, can be changed with coding parts M22-XC-Y |

Technical data

| | | | |
|-----------------------------|--------------|-------------------|--|
| General | | | |
| Standards | | | IEC/EN 60947 VDE 0660 |
| Lifespan, mechanical | Operations | x 10 ⁶ | > 0.1 |
| Operating frequency | Operations/h | | ≤ 2000 |
| Operating torque | | Nm | ≤ 0.3 |
| Climatic proofing | | | Damp heat, constant, to IEC 60068-2-78 Damp heat, cyclic, to IEC 60068-2-30 |
| Degree of Protection | | | IP66 |
| Ambient temperature | | | |
| Open | | °C | -25 - +70 |
| Mounting position | | | As required |
| Mechanical shock resistance | | g | 15 Shock duration 11 ms Sinusoidal according to IEC 60068-2-27 |
| shipping classification | | | DNV GL |



Design verification as per IEC/EN 61439

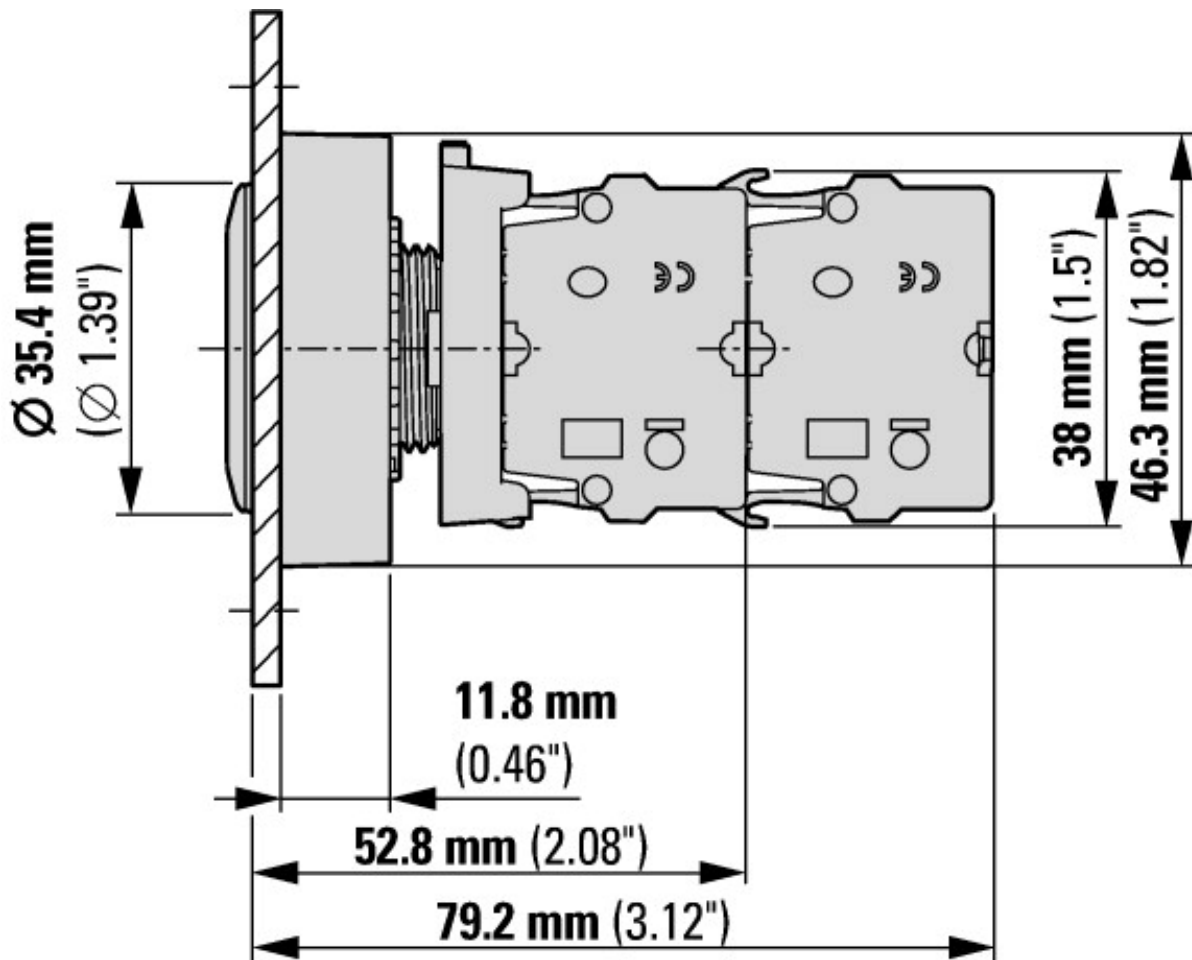
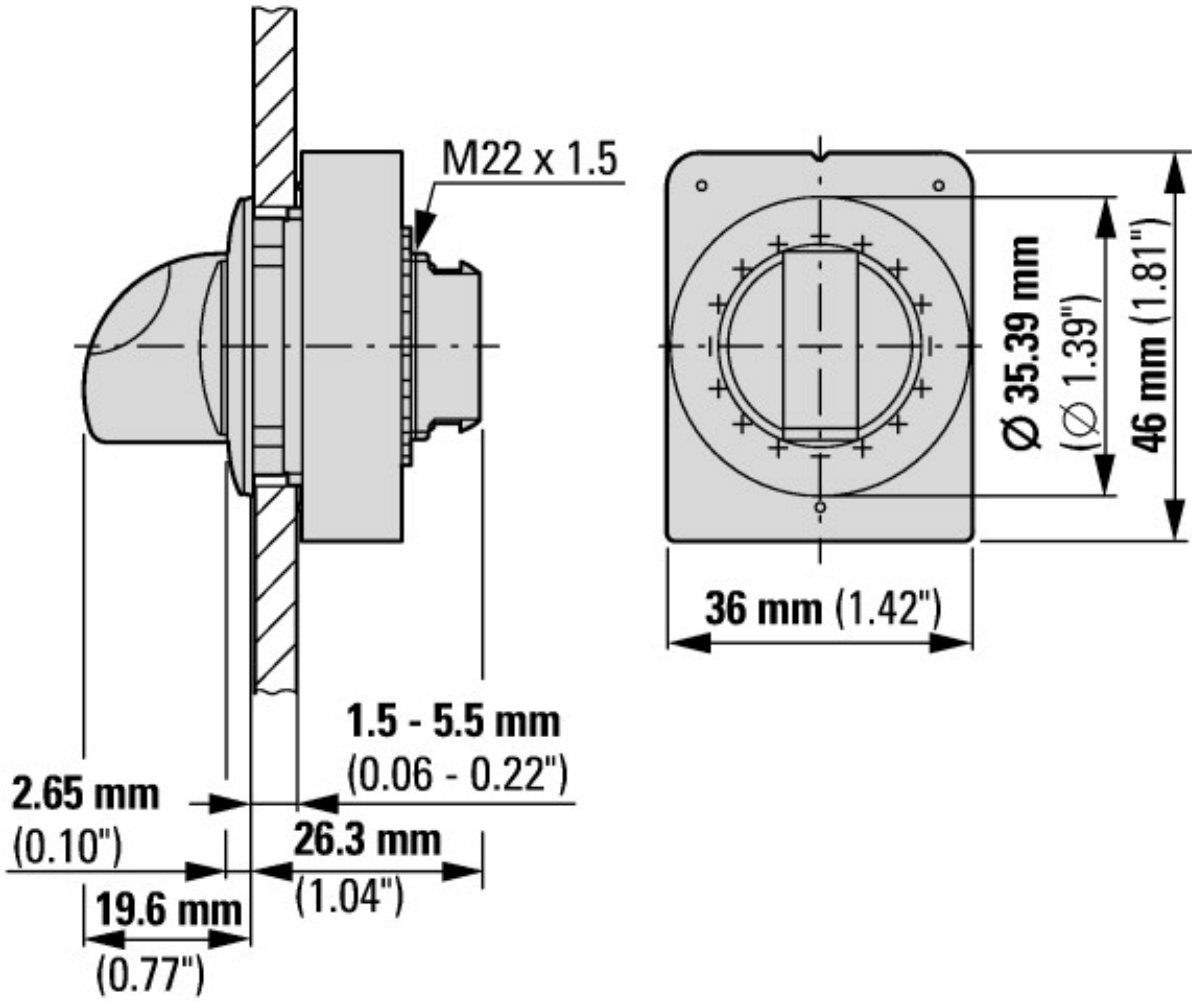
| Technical data for design verification | | |
|--|----|-----|
| Operating ambient temperature min. | °C | -25 |
| Operating ambient temperature max. | °C | 70 |

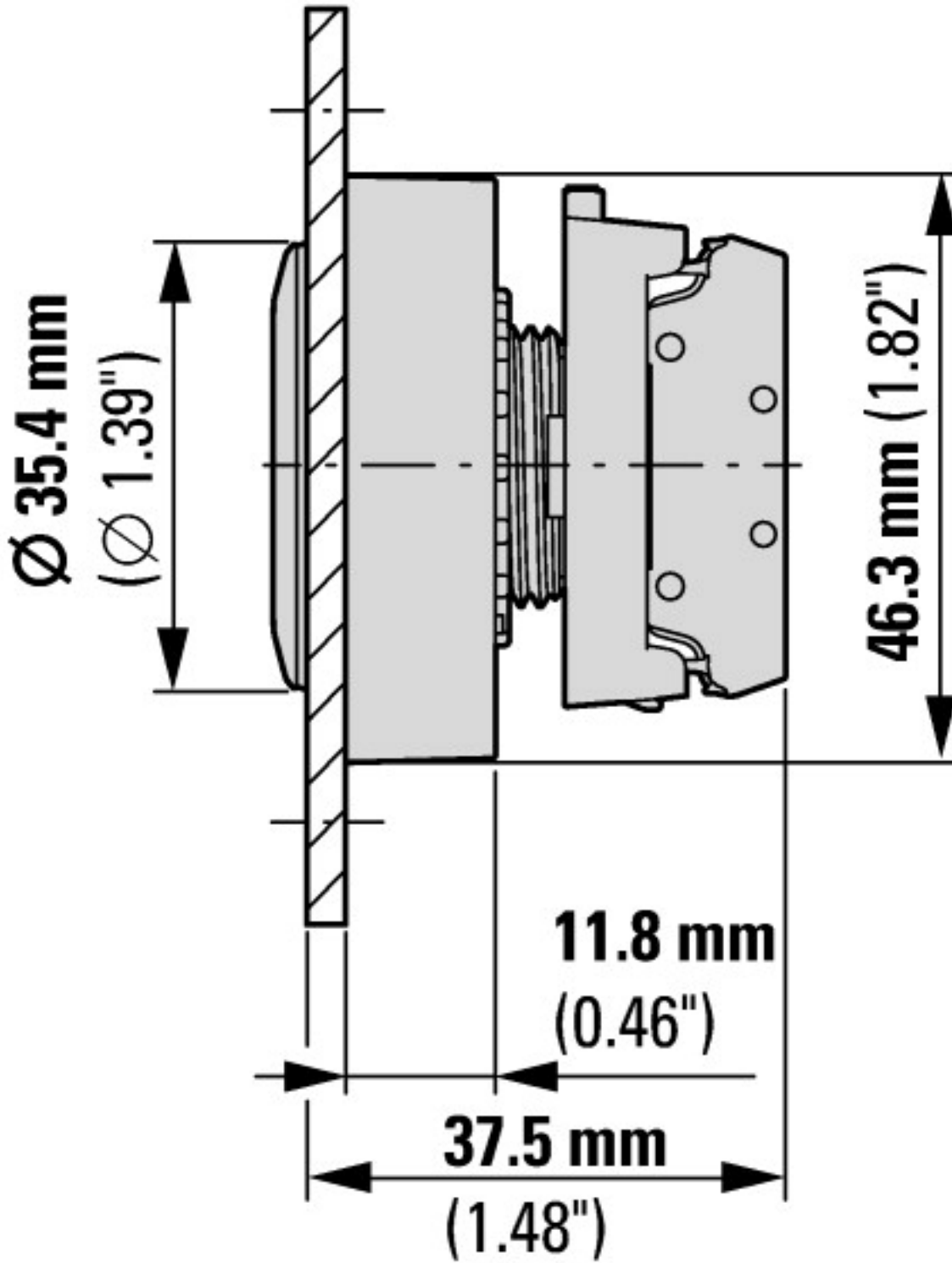
Technical data ETIM 7.0

| Low-voltage industrial components (EG000017) / Front element for selector switch (EC000222) | | |
|---|----|--------|
| Electric engineering, automation, process control engineering / Low-voltage switch technology / Command and alarm device / Front element for selector switches (ecl@ss10.0.1-27-37-12-13 [AKF031014]) | | |
| Number of switch positions | | 2 |
| Type of control element | | Toggle |
| Suitable for illumination | | Yes |
| Colour control element | | Green |
| Colour indicator light cap | | Green |
| Construction type lens | | Round |
| Hole diameter | mm | 30 |
| Width opening | mm | 0 |
| Height opening | mm | 0 |
| Switching function latching | | Yes |
| Spring-return | | No |
| With front ring | | Yes |
| Material front ring | | Metal |
| Colour front ring | | Chrome |
| Degree of protection (IP), front side | | IP66 |
| Degree of protection (NEMA) | | Other |

Approvals

| | | |
|-----------------------------|--|--|
| Product Standards | | IEC/EN 60947-5; UL 508; CSA-C22.2 No. 14-05; CSA-C22.2 No. 94-91; CE marking |
| UL File No. | | E29184 |
| UL Category Control No. | | NKCR |
| CSA File No. | | 012528 |
| CSA Class No. | | 3211-03 |
| North America Certification | | UL listed, CSA certified |
| Degree of Protection | | UL/CSA Type 3R, 4X, 12, 13 |







Additional product information (links)

IL047019ZU Flat Front

IL047019ZU Flat Front

ftp://ftp.moeller.net/DOCUMENTATION/AWA_INSTRUCTIONS/IL047019ZU2018_05.pdf