

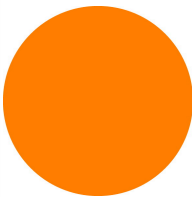


Indicator light, RMQ-Titan, Flat, orange, Metal bezel

Part no. **M30C-FL-A**
 Catalog No. **183286**
 Alternate Catalog No. **M30C-FL-A**



Delivery program

Product range			RMQ-Titan
Basic function			Indicator lights
Single unit/Complete unit			Single unit
Design			Flat
Colour			
Lens			orange
Lens			
Degree of Protection			IP66, IP67, IP69
Front ring			Metal bezel
Connection to SmartWire-DT			yes with SWD-RMQ connections
Front dimensions			Ø 36 mm

Technical data

General

Standards			IEC/EN 60947 VDE 0660
Climatic proofing			Damp heat, constant, to IEC 60068-2-78 Damp heat, cyclic, to IEC 60068-2-30
Degree of Protection			IP66, IP67, IP69
Ambient temperature			
Open		°C	-25 - +70
Mounting position			As required
Mechanical shock resistance		g	not planned
Terminal capacities		mm ²	
Solid		mm ²	0.5 - 1.5
Stranded		mm ²	0.5 - 1.5
shipping classification			DNV GL
			

Contacts

Rated impulse withstand voltage	U _{imp}	V AC	4000
Rated insulation voltage	U _i	V	250
Overtoltage category/pollution degree			III/3

Design verification as per IEC/EN 61439

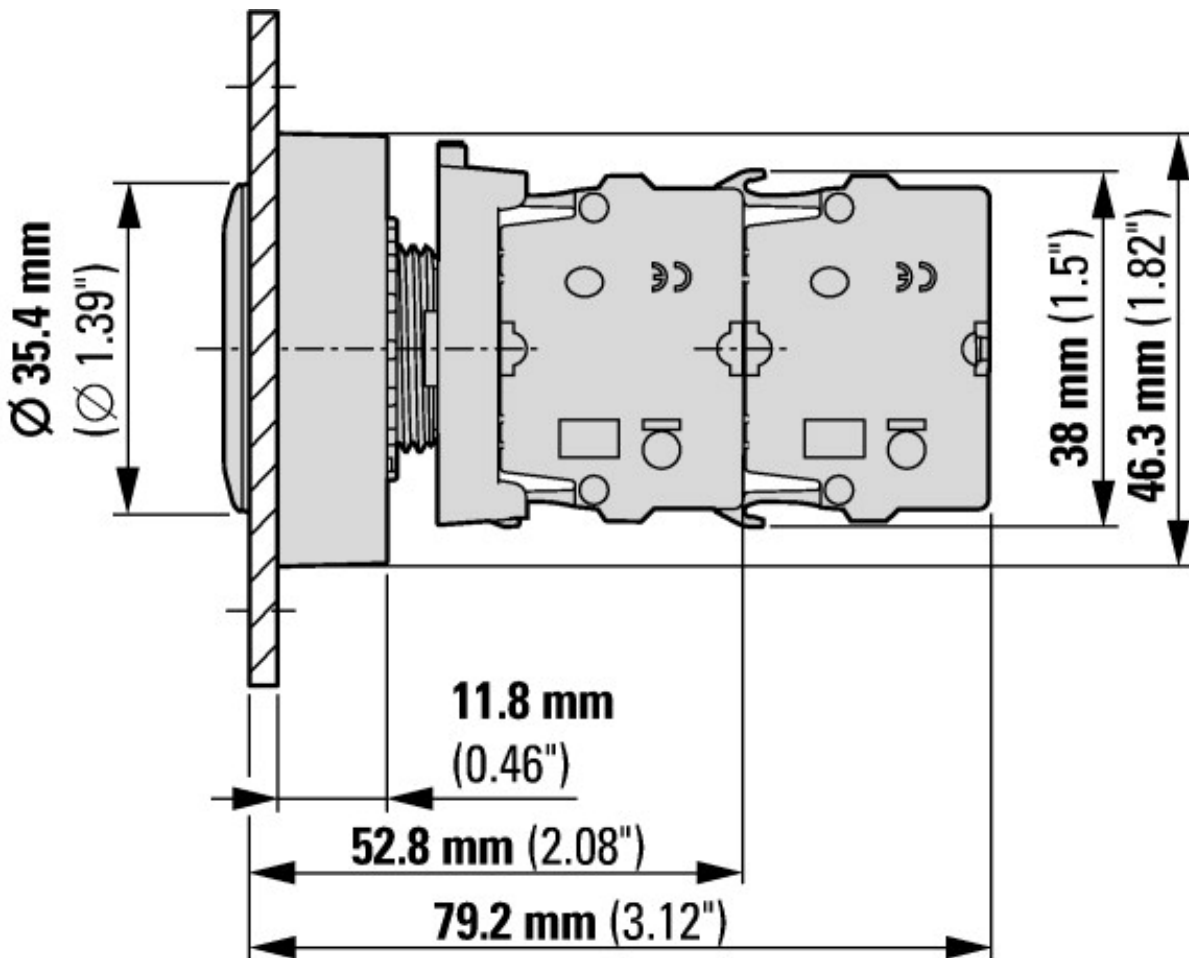
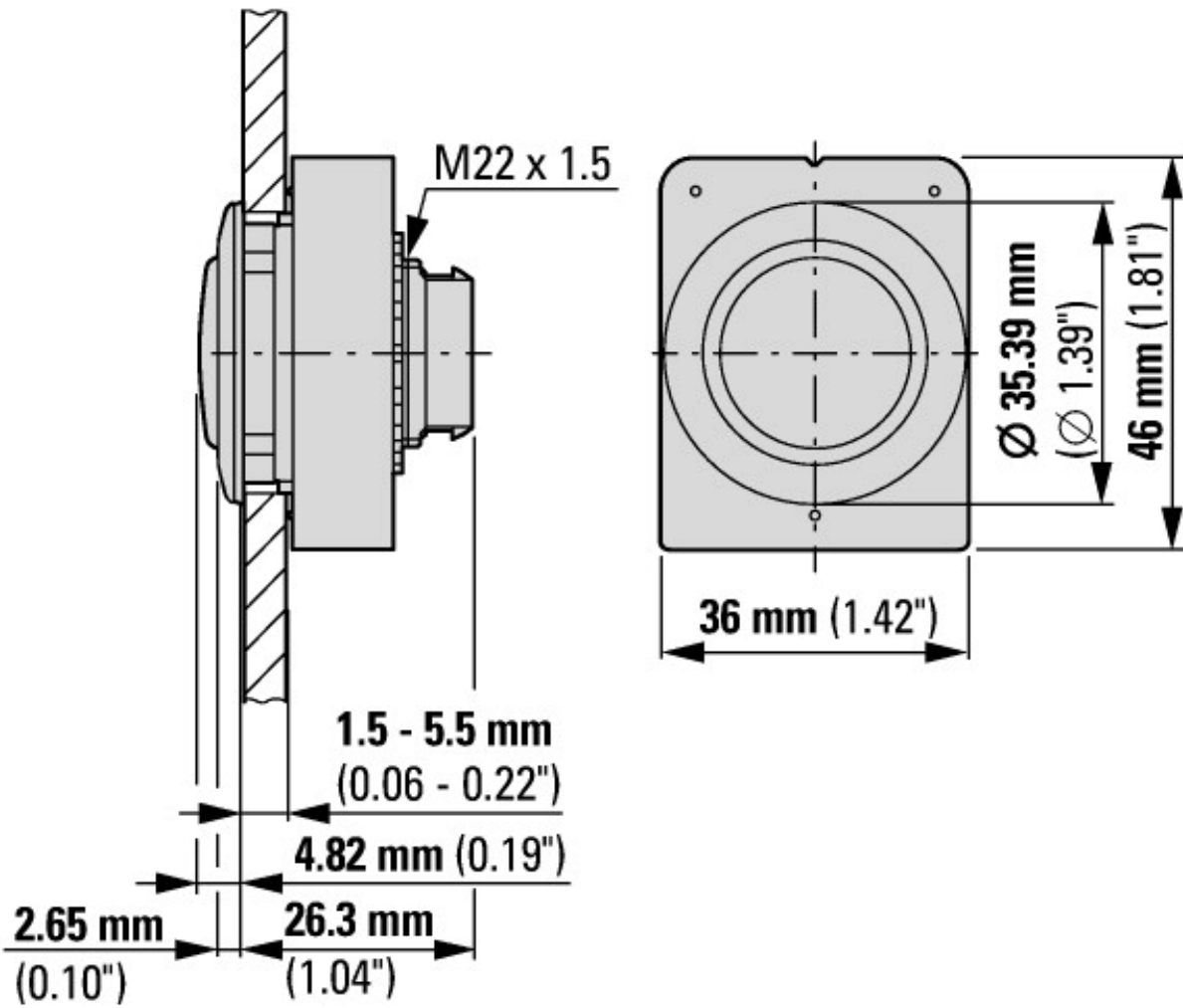
Technical data for design verification		
Operating ambient temperature min.	°C	-25
Operating ambient temperature max.	°C	70

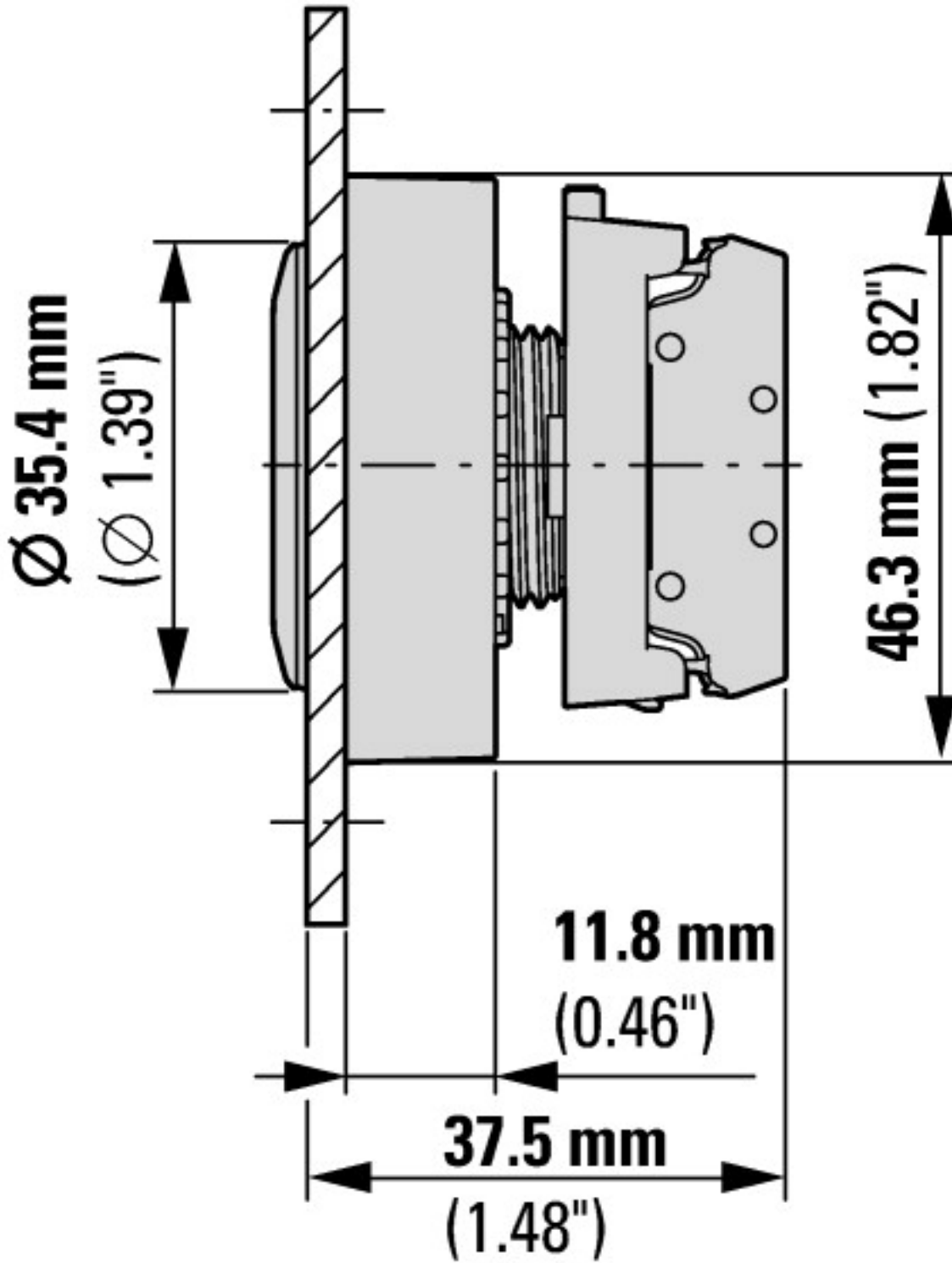
Technical data ETIM 7.0

Low-voltage industrial components (EG000017) / Front element for indicator light (EC000223)		
Electric engineering, automation, process control engineering / Low-voltage switch technology / Command and alarm device / Front element for warning lights (ecl@ss10.0.1-27-37-12-11 [AKF029014])		
Suitable for number of built-in signal lights		1
Colour lens		Orange
Construction type lens		Round
Hole diameter	mm	30
Width opening	mm	0
Height opening	mm	0
With front ring		Yes
Material front ring		Metal
Colour front ring		Chrome
Type of lens		Flat
Degree of protection (IP), front side		IP67

Approvals

Product Standards		IEC/EN 60947-5; UL 508; CSA-C22.2 No. 14-05; CSA-C22.2 No. 94-91; CE marking
UL File No.		E29184
UL Category Control No.		NKCR
CSA File No.		012528
CSA Class No.		3211-03
North America Certification		UL listed, CSA certified
Degree of Protection		UL/CSA Type 3R, 4X, 12, 13







Additional product information (links)

IL047019ZU Flat Front

IL047019ZU Flat Front

ftp://ftp.moeller.net/DOCUMENTATION/AWA_INSTRUCTIONS/IL047019ZU2018_05.pdf