



**Actuator for non-contacting safety switch RS-Titan**

**Part no.** RS4-A  
**Catalog No.** 177310  
**Alternate Catalog No.** RS4-A

**Delivery program**

Basic function		Accessories
Degree of Protection		IP67, IP69
Range		Actuator
Part group reference		RS
Material		Plastic
For use with		RS4-...

**Design verification as per IEC/EN 61439**

Technical data for design verification		
Operating ambient temperature min.	°C	-10
Operating ambient temperature max.	°C	55

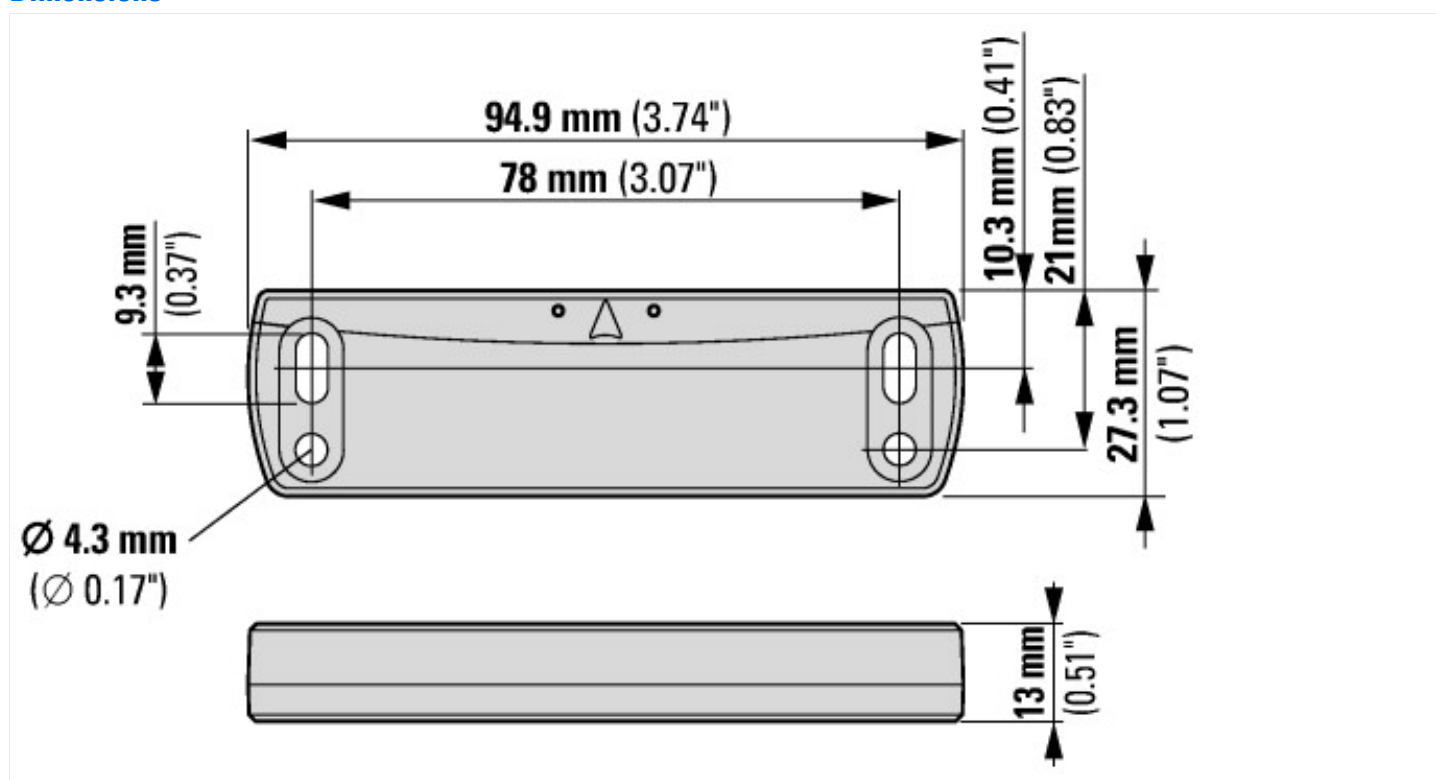
**Technical data ETIM 7.0**

Sensors (EG000026) / Accessories for position switches (EC002594)

Electric engineering, automation, process control engineering / Binary sensor technology, safety-related sensor technology / Position switch / Position switch (accessories)  
 (ec1@ss10.0.1-27-27-06-92 [AFR520003])

Type of accessory	Other
-------------------	-------

**Dimensions**



## Additional product information (links)

IL053002ZU RS-Titan: Reed Switch Titan

IL053002ZU RS-Titan: Reed Switch Titan

[ftp://ftp.moeller.net/DOCUMENTATION/AWA\\_INSTRUCTIONS/IL053002ZU2018\\_05.pdf](ftp://ftp.moeller.net/DOCUMENTATION/AWA_INSTRUCTIONS/IL053002ZU2018_05.pdf)