



SmartWire-DT splitter IP67, from M12 plug to two M8 sockets, 4-Pole, pin 4



Part no. SWD4-SP-4084  
 Catalog No. 174705  
 Alternate Catalog No. SWD4-SP-4084

### Delivery program

Product range			SmartWire-DT accessories
Basic function			Splitter
Basic function accessories			Splitter
Function			For splitting an M12 I/O connection's I/O signals
Description			Splitter with IP67 degree of protection, M12 plug into two 4 pole M8 sockets with I/O signal on pin 4
Connection to SmartWire-DT			yes
For use with			EU1E-SWD... EU2E-SWD...

### Technical data

#### General

Dimensions (W x H x D)		mm	31 x 46 x 16
Mounting position			As required
Power loss	P	W	0
Note on heat dissipation			not relevant

#### Ambient conditions, mechanical

Protection type (IEC/EN 60529, EN50178, VBG 4)			IP67
--	--	--	------

#### Climatic environmental conditions

Climatic proofing			Dry heat to IEC 60068-2-2 Damp heat as per EN 60068-2-3
Air pressure (operation)		hPa	795 - 1080
Ambient temperature			
Operation	θ	°C	-25 - +90
Storage / Transport	θ	°C	-40 - +90
Relative humidity			
Condensation			permissible

#### Connection options

Connection 1			M12 plug (A-keyed)
Connection 2			2 * M8 sockets, 4-pin, I/O on connection pin 4

### Design verification as per IEC/EN 61439

Technical data for design verification			
Static heat dissipation, non-current-dependent	P <sub>vs</sub>	W	0
Heat dissipation capacity	P <sub>diss</sub>	W	0
Operating ambient temperature min.		°C	-25
Operating ambient temperature max.		°C	90
Degree of Protection			IP67
IEC/EN 61439 design verification			
10.2 Strength of materials and parts			
10.2.2 Corrosion resistance			Meets the product standard's requirements.
10.2.3.1 Verification of thermal stability of enclosures			Meets the product standard's requirements.
10.2.3.2 Verification of resistance of insulating materials to normal heat			Meets the product standard's requirements.
10.2.3.3 Verification of resistance of insulating materials to abnormal heat and fire due to internal electric effects			Meets the product standard's requirements.
10.2.4 Resistance to ultra-violet (UV) radiation			Meets the product standard's requirements.
10.2.5 Lifting			Does not apply, since the entire switchgear needs to be evaluated.

10.2.6 Mechanical impact			Does not apply, since the entire switchgear needs to be evaluated.
10.2.7 Inscriptions			Meets the product standard's requirements.
10.3 Degree of protection of ASSEMBLIES			Meets the product standard's requirements.
10.4 Clearances and creepage distances			Meets the product standard's requirements.
10.5 Protection against electric shock			Does not apply, since the entire switchgear needs to be evaluated.
10.6 Incorporation of switching devices and components			Does not apply, since the entire switchgear needs to be evaluated.
10.7 Internal electrical circuits and connections			Is the panel builder's responsibility.
10.8 Connections for external conductors			Is the panel builder's responsibility.
10.9 Insulation properties			
10.9.2 Power-frequency electric strength			Is the panel builder's responsibility.
10.9.3 Impulse withstand voltage			Is the panel builder's responsibility.
10.9.4 Testing of enclosures made of insulating material			Is the panel builder's responsibility.
10.10 Temperature rise			The panel builder is responsible for the temperature rise calculation. Eaton will provide heat dissipation data for the devices.
10.11 Short-circuit rating			Is the panel builder's responsibility.
10.12 Electromagnetic compatibility			Is the panel builder's responsibility.
10.13 Mechanical function			The device meets the requirements, provided the information in the instruction leaflet (IL) is observed.

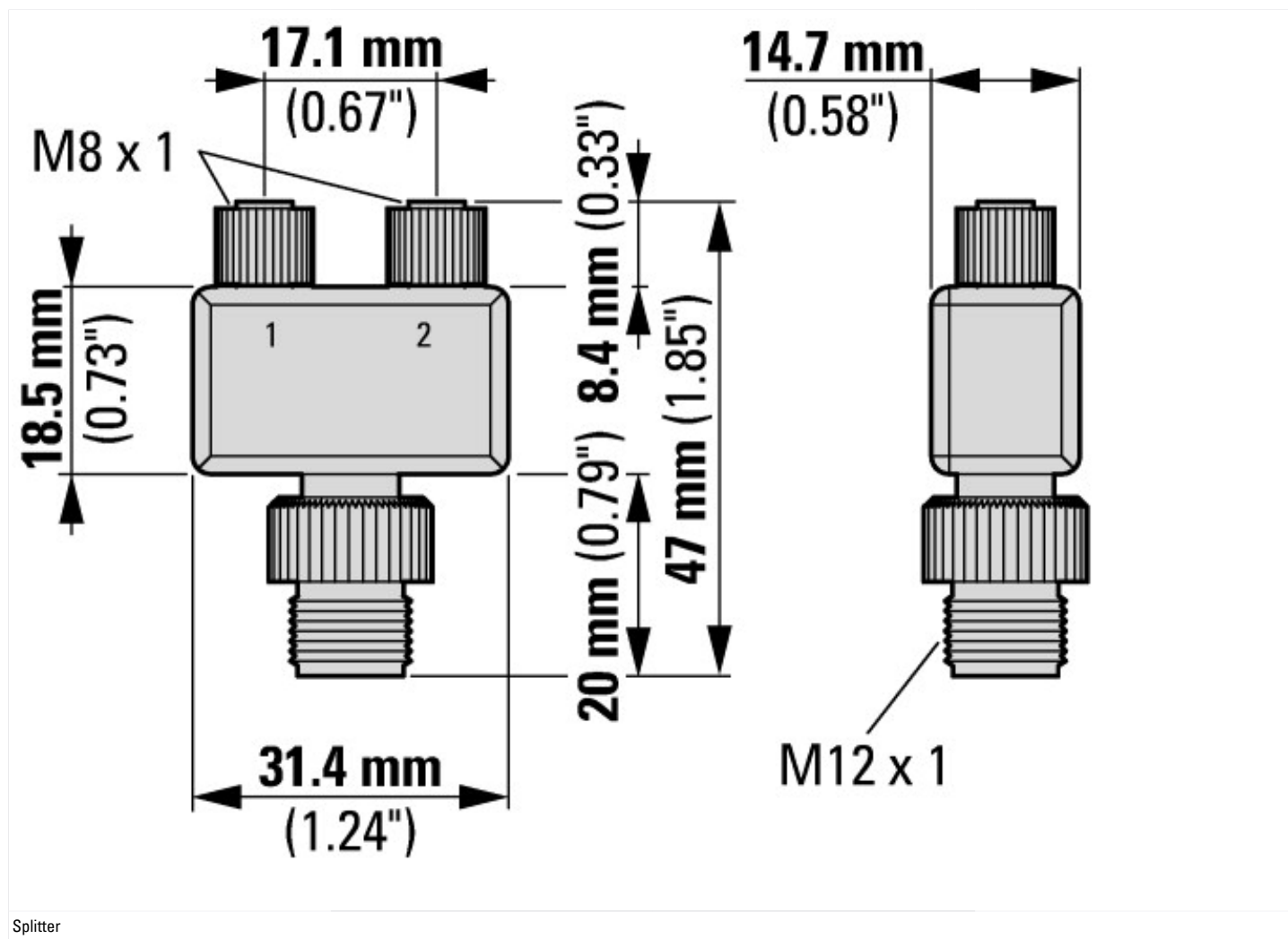
## Technical data ETIM 7.0

PLC's (EG000024) / Accessories for controls (EC002584)			
Electric engineering, automation, process control engineering / Control / Programmable logic control (SPS) / Programmable logic control (SPS, accessories) (ecl@ss10.0.1-27-24-22-92 [AFR333003])			
Type of electrical accessory			Plug
Type of mechanical accessory			Other

## Approvals

North America Certification			UL listed, CSA certified
Specially designed for North America			No

## Dimensions



Splitter

## Assets (links)

### Instruction Leaflets

IL04716001Z2018\_02

### Manuals

MN05006002Z\_DE (German)

MN05006002Z\_EN (English)

MN05006002Z\_IT (Italian)

## Additional product information (links)

### Instruction leaflet "SWD4...: wiring material and accessories" IL04716001Z

Instruction leaflet "SWD4...: wiring material and accessories" IL04716001Z [ftp://ftp.moeller.net/DOCUMENTATION/AWA\\_INSTRUCTIONS/IL04716001Z2018\\_02.pdf](ftp://ftp.moeller.net/DOCUMENTATION/AWA_INSTRUCTIONS/IL04716001Z2018_02.pdf)

### SmartWire-DT manual, The System MN05006002Z

Handbuch SmartWire-DT, Das System MN05006002Z - Deutsch [ftp://ftp.moeller.net/DOCUMENTATION/AWB\\_MANUALS/MN05006002Z\\_DE.pdf](ftp://ftp.moeller.net/DOCUMENTATION/AWB_MANUALS/MN05006002Z_DE.pdf)

SmartWire-DT manual, The System MN05006002Z - English [ftp://ftp.moeller.net/DOCUMENTATION/AWB\\_MANUALS/MN05006002Z\\_EN.pdf](ftp://ftp.moeller.net/DOCUMENTATION/AWB_MANUALS/MN05006002Z_EN.pdf)

Manuale SmartWire-DT, il sistema MN05006002Z - italiano [ftp://ftp.moeller.net/DOCUMENTATION/AWB\\_MANUALS/MN05006002Z\\_IT.pdf](ftp://ftp.moeller.net/DOCUMENTATION/AWB_MANUALS/MN05006002Z_IT.pdf)

SmartWire-DT product range catalog <http://ecat.moeller.net/flip-cat/?edition=SWKAT&startpage=Titel>

f1=1457&f2=1181&f3=1530;Download Wizard SWD-ASSIST <http://applications.eaton.eu/sdlc?LX=11&f1=1457&f2=1181&f3=1530;Download Wizard SWD-ASSIST>

Product overview (WEB) <http://www.eaton.eu/swd>